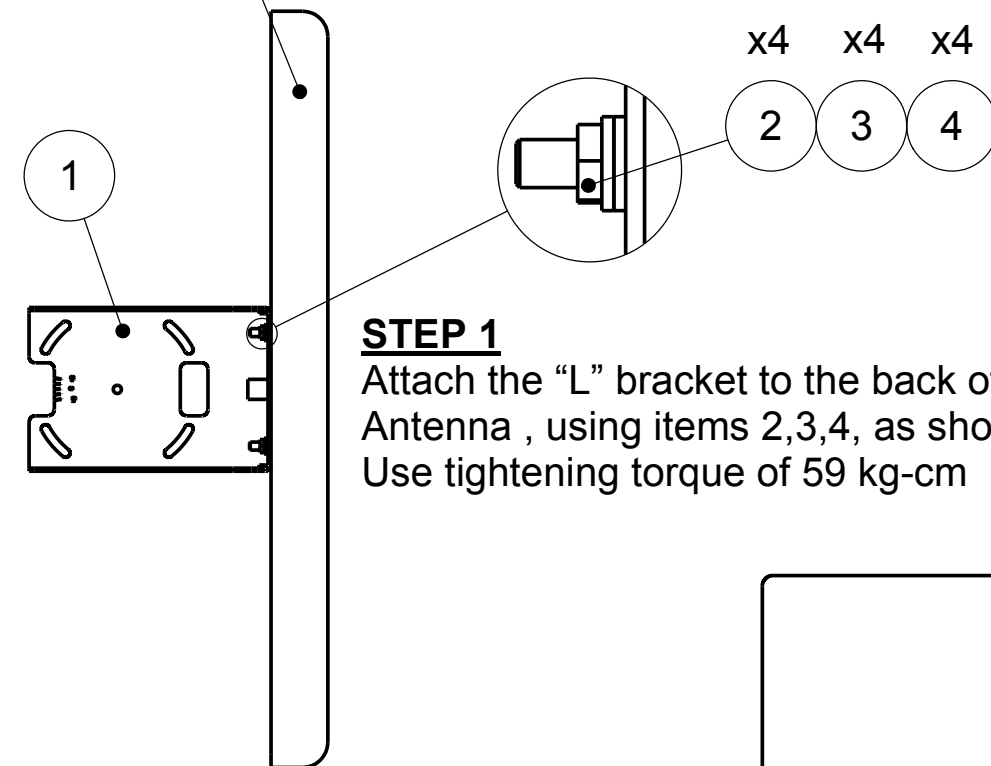


**Mti**

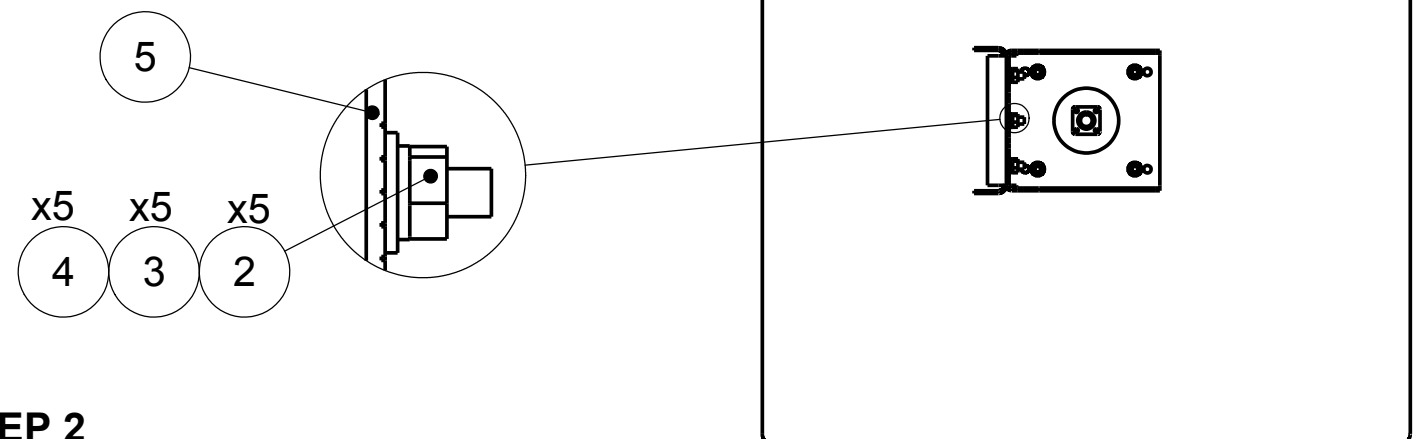
# WIRELESS EDGE

## INSTALLATION INSTRUCTIONS

ANTENNA

**STEP 1**

Attach the "L" bracket to the back of the Antenna , using items 2,3,4, as shown .  
Use tightening torque of 59 kg-cm

**STEP 2**

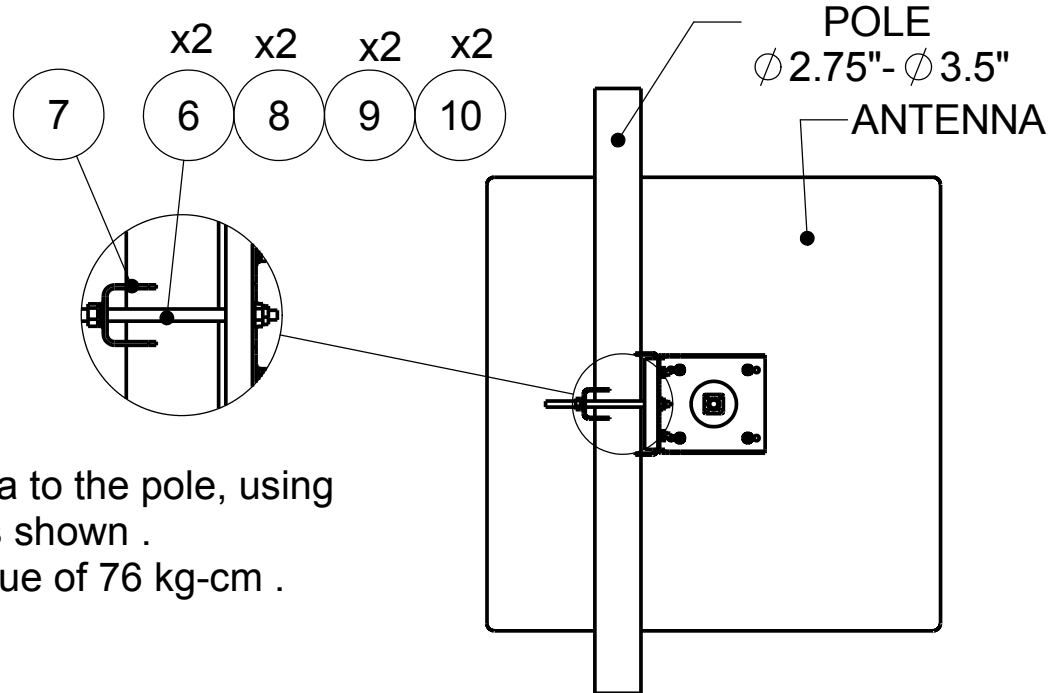
Attach the grooved bracket to the "L" Bracket using items 5,2,3,4 as shown .  
do not fasten the screws!

SHEET 1 OF 2



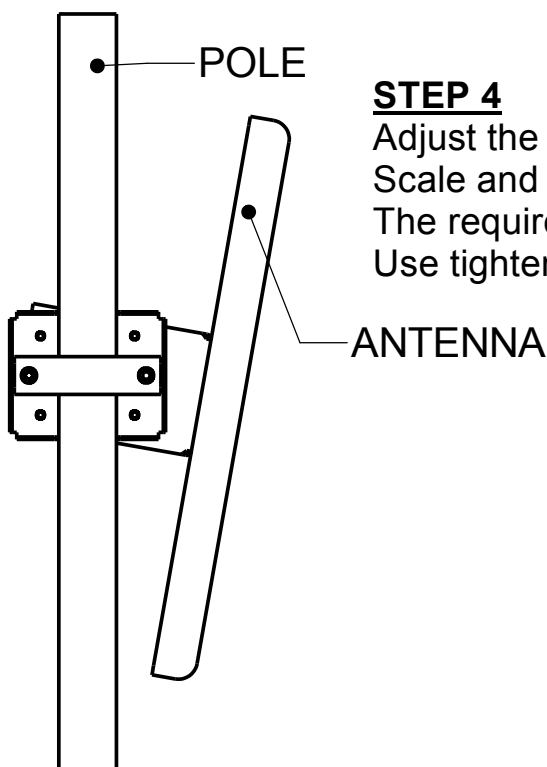
# WIRELESS EDGE

## INSTALLATION INSTRUCTIONS



### STEP 3

Tighten the antenna to the pole, using Items 7,6,8,9,10 as shown .  
Use tightening torque of 76 kg-cm .



### STEP 4

Adjust the required tilt using the angular Scale and fasten all screws and nuts at The required position.  
Use tightening torque of 68 kg-cm .

### Installation Kit

| ITEM | DESCRIPTION                  | QTY |
|------|------------------------------|-----|
| 1    | ELEVATION BRACKET            | 1   |
| 2    | WASHER FLAT 1/4"             | 9   |
| 3    | WASHER SPRING 1/4"           | 9   |
| 4    | NUT 1/4"                     | 9   |
| 5    | POLE BRACKET MECH ASSY       | 1   |
| 6    | BOLT CARRIAGE 5/16"x6" STEEL | 2   |
| 7    | U BRACKET                    | 1   |
| 8    | WASHER FLAT 5/16" STEEL      | 2   |
| 9    | WASHER SPRING 5/16" STEEL    | 2   |
| 10   | NUT HEX 5/16" STEEL          | 2   |

SHEET 2 OF 2