

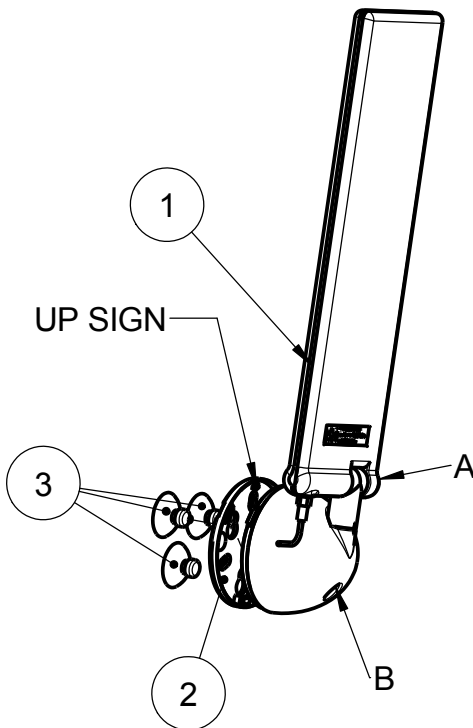


# WIRELESS EDGE

## INSTALLATION INSTRUCTIONS

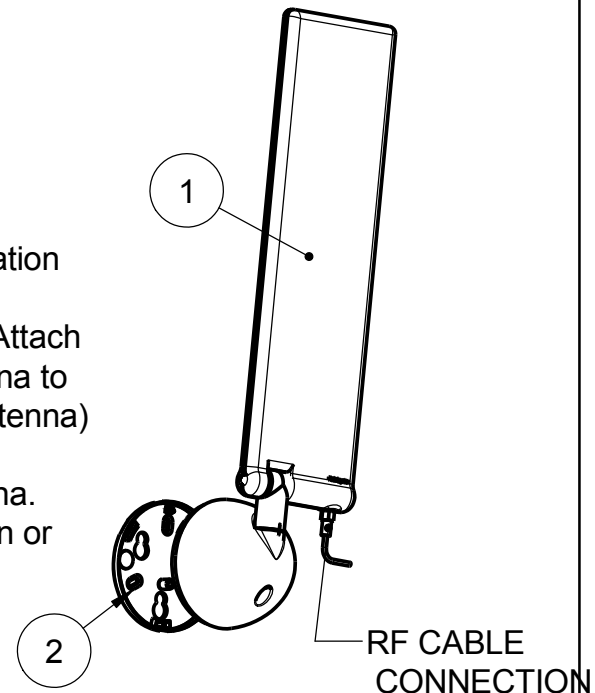
### WINDOW INSTALLATION

Insert the 3 suction cups, items 3 into the keyholes in the adapting plate item 2. Clean the mounting area on the window with solvent. Position the adapting plate with the top arrow pointing up. Press the plate to the window, Verify the suction cap are well pressed. Attach the antenna item 1 to the adapting plate. Directed the antenna to the desired direction (note the radiation side mark on the antenna). Tighten screws A and B to prevent antenna movement. For antennas without cable. Connect the cable to the antenna. Secure the cable to a fix foundation to prevent cable tension or weight to be loaded on the antenna.



### WALL INSTALLATION

Attach the adapting plate item 2 to the wall in the desire location by using 3 screws (not supplied with the antenna). Note the up mark on the adapting plate is position upward. Attach the antenna item 1 to the adapting plate. Directed the antenna to the desired direction (note the radiation side mark on the antenna) Tighten screws A and B to prevent antenna movement. For antennas without cable. Connect the cable to the antenna. Secure the cable to a fix foundation to prevent cable tension or weight to be loaded on the antenna.



SHEET 1 OF 2



# WIRELESS EDGE

## INSTALLATION INSTRUCTIONS

### TABLE INSTALLATION

#### TABLE INSTALLATION

Attach the dummy load item 4 to the antenna adapting plate item 2 with screw item 5.

Connect the adapting plate to the antenna with mark up on the plate is pointing the antenna.

Position the antenna in the upright direction.

Secure the antenna position by tightening screws A and B. Position the antenna on the table in the desired direction (note the radiation side mark on the antenna)

