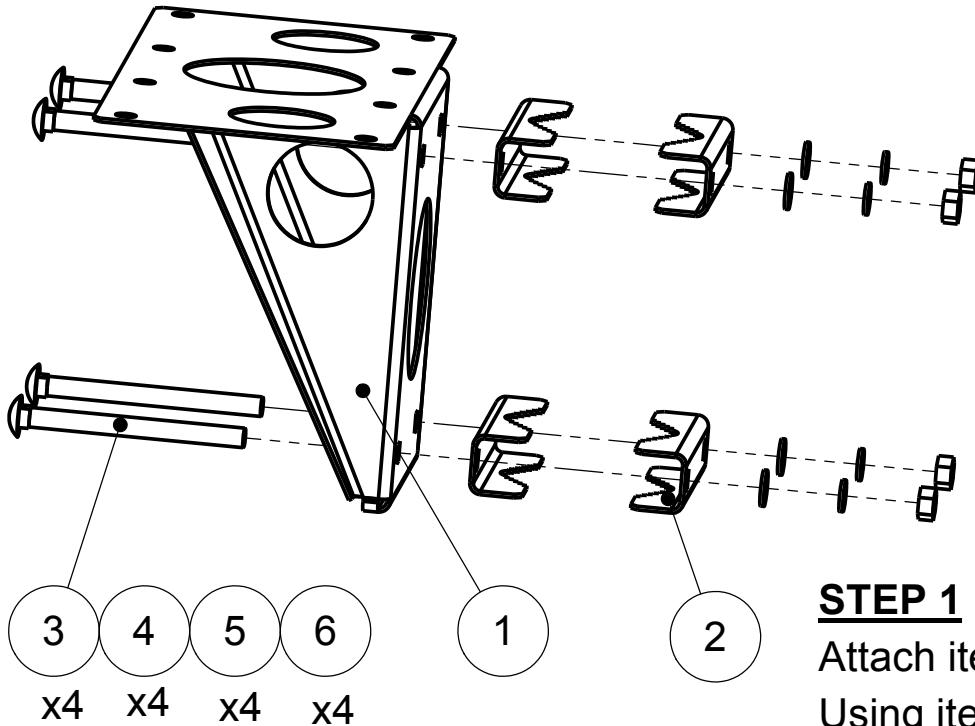




WIRELESS EDGE

POLE INSTALLATION INSTRUCTIONS

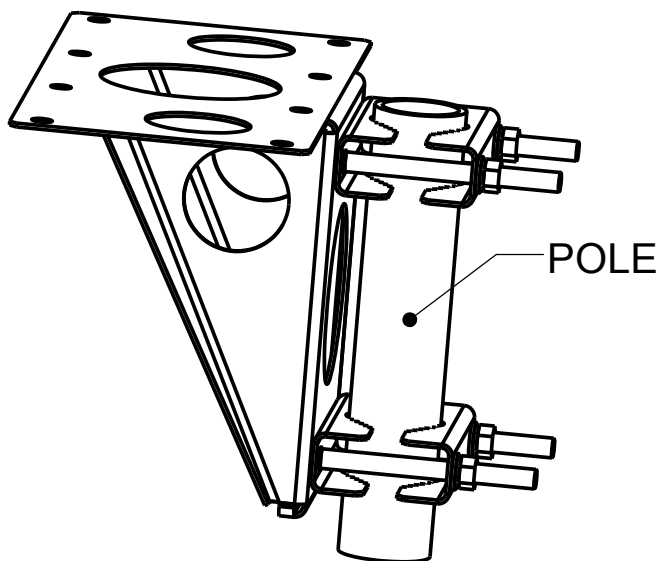


STEP 1

Attach items 2 to item 1

Using items 3 ,4 ,5 ,6 as shown

Do not tighten items 3 ,4 ,5 ,6 .



STEP 2

Install the mounting kit as shown

Use tightening torque of 83 N/cm

SHEET 1 OF 2

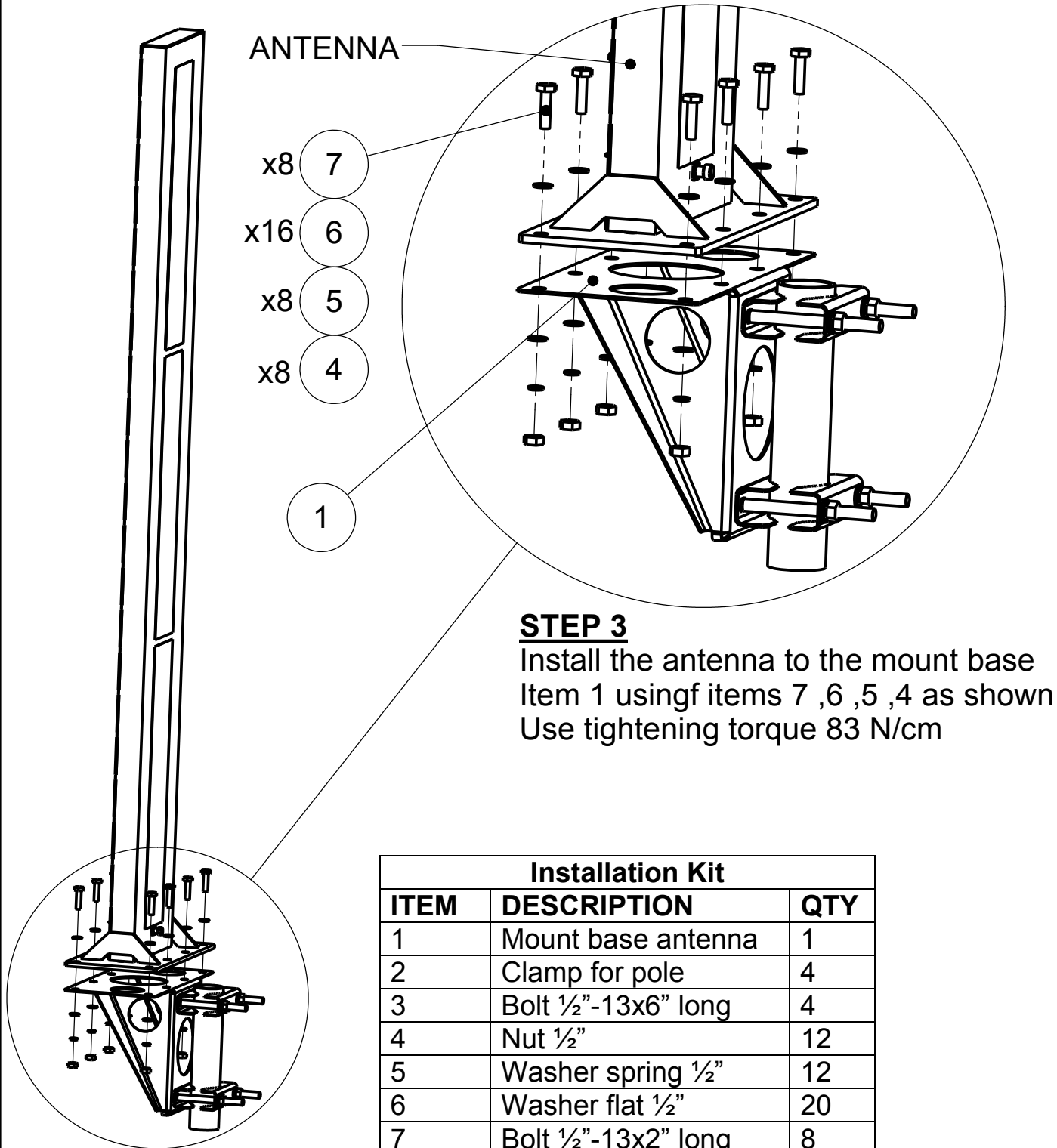
11 Hamelacha St. , Afek Industrial Park, Rosh Ha'ayin 48091, Israel

Fax: 972-3-9025051, Tel: 972-3-9025050

www.mtiwe.com



WIRELESS EDGE



SHEET 2 OF 2