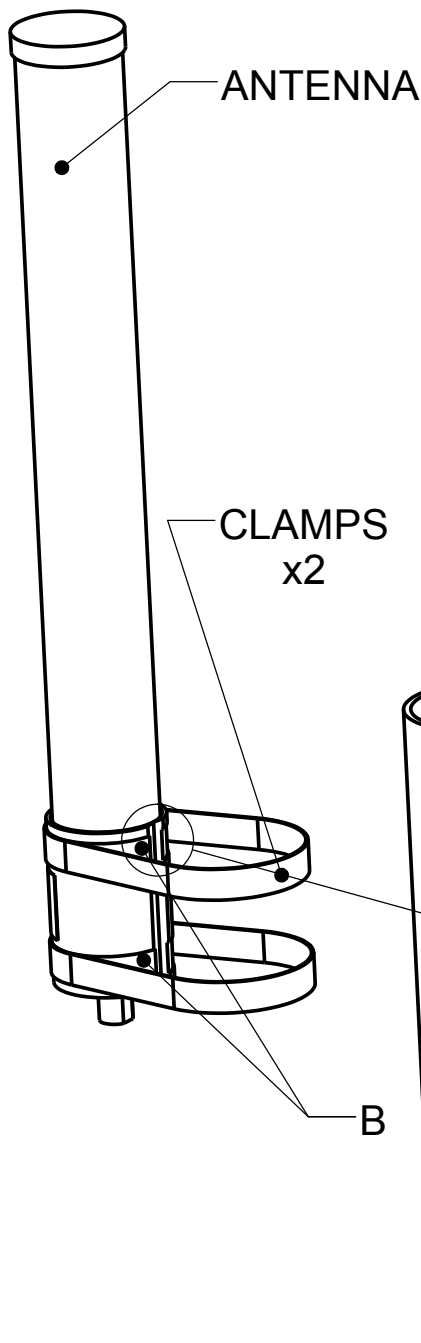




WIRELESS EDGE

INSTALLATION INSTRUCTIONS



STEP 1

Attach the antenna to the pole with pole against the antenna groove (A) .

STEP 2

Position the clamps in the horizontal grooves (B) .

Tighten the clamps to secure the antenna in position .

use tightening torque of 70kg-cm

SHEET 1 OF 1