

MT-364029/NV

2.3-2.7 GHz 17.5dBi 60deg Vertical Pol. Broadband Base Station Antenna

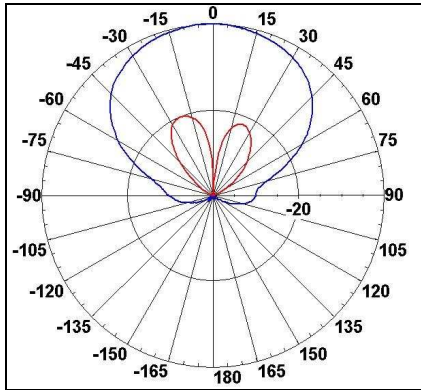


Specifications

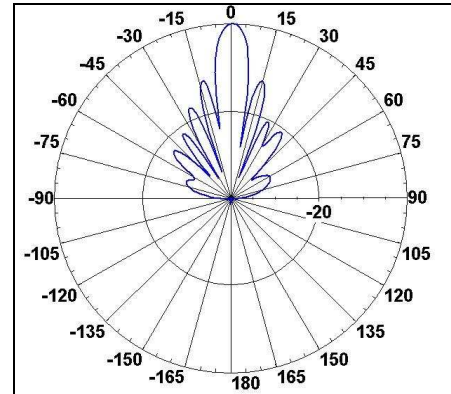
MTI PART NUMBER		MT - 364029/NV			
ELECTRICAL					
REGULATORY COMPLIANCE	ETSI EN 301 525 V1.1.1 CS, RoHS , CE 0682				
FREQUENCY RANGE	2.3-2.7 GHz				
GAIN	2.3-2.4 @ 16 ± 0.5 dBi , 2.4-2.5 @ 17 ± 0.5 dBi 2.5-2.7 17.5±0.5 dBi				
VSWR	1:7:1 (max)				
AZIMUTH BEAMWIDTH	70° (typ) @ 2.3-2.4 GHz, 60° (typ) @ 2.4-2.7 GHz				
ELEVATION BEAMWIDTH	8.5° (typ)				
POLARIZATION	Linear Vertical				
AZIMUTH SIDELOBES LEVEL	-30dB @ ± 90° (typ)				
CROSS POLARIZATION	-20 dB (max)				
F/B RATIO	35 dB (max)				
INPUT IMPEDANCE	50 (ohm)				
INPUT POWER	6 W (max)				
LIGHTNING PROTECTION	DC Grounded				
MECHANICAL					
DIMENSIONS (LxWxD)	720x390x28 mm (max)				
WEIGHT	4 kg (max)				
CONNECTOR	N - TYPE Female				
RADOME	Plastic				
BASE PLATE	Aluminum with chemical conversion coating				
OUTLINE DRAWING	See page 2				
MOUNTING KIT	MT-120019				
ENVIRONMENTAL					
TEST	STANDARD	DURATION	TEMPERATURE	NOTES	
LOW TEMPERATURE	IEC 68-2-1	72 h	-55 °C	-	
HIGH TEMPERATURE	IEC 68-2-2	72 h	+71 °C	-	
TEMP. CYCLING	IEC 68-2-14	1 h	-45 °C +70 °C	3 Cycles	
VIBRATION	IEC 60721-3-4	30 min/axis	-	Random 4M5	
SHOCK MECHANICAL	IEC 60721-3-4	-	-	4M5	
HUMIDITY	ETSI EN300-2-4 T4.1E	144 h	-	95%	
WATER TIGHTNESS	IEC 529	-	-	IP64	
SOLAR RADIATION	ASTM G53	1000 h	-	-	
FLAMMABILITY	UL 94	-	-	Class HB	
SALT SPRAY	IEC 68-2-11 Ka	500 h	-	-	
ICE AND SNOW	-	-	-	25mm Radial	
WIND SPEED SURVIVAL	-	-	-	220 Km/h	
OPERATION	-	-	-	160 Km/h	
WIND LOAD SURVIVAL:	FRONT THRUST	-	-	80.2 kg	
	SIDE THRUST	-	-	5.8 kg	

2.3-2.7 GHz 17.5dBi 60deg Vertical Pol. BTS Antenna

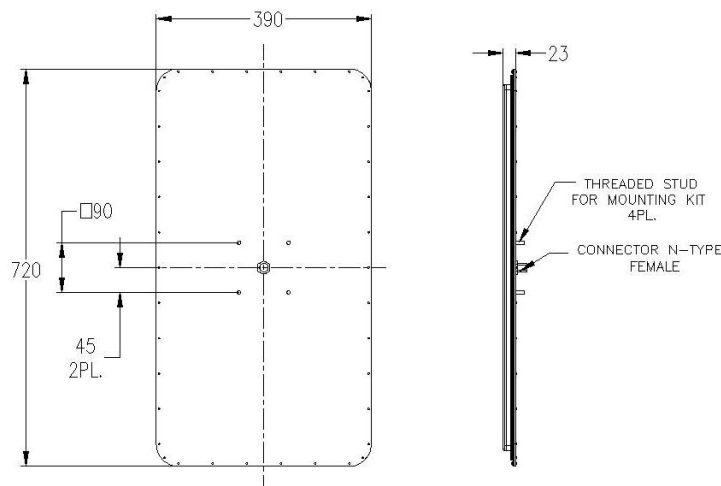
Azimuth Radiation Pattern
 Midband Freq. 2.6 GHz



Elevation Radiation Pattern
 Midband Freq. 2.6 GHz



Dimensions [mm]



Existing Antenna Versions

MTI Wireless Edge is certified according to ISO 9001 and ISO 14001.

WAIVER!

While the information contained in this document has been carefully compiled to the best of our present knowledge, it is not intended as presentation or warranty of any kind on our part regarding the fitness of the products concerned for any particular use or purpose and neither shall any statement contained herein be construed as a recommendation to infringe any industrial property rights or as a license to use any such rights. The fitness of each product for any particular purpose must be checked beforehand with our specialists.

MTI Wireless Edge Ltd.

11 Hamelacha St.
 Afek Industrial Park
 Rosh Ha'ayin 48091, Israel
 Tel: +972-3-9008900
 Fax: +972-3-9008901
www.mtiwe.com