

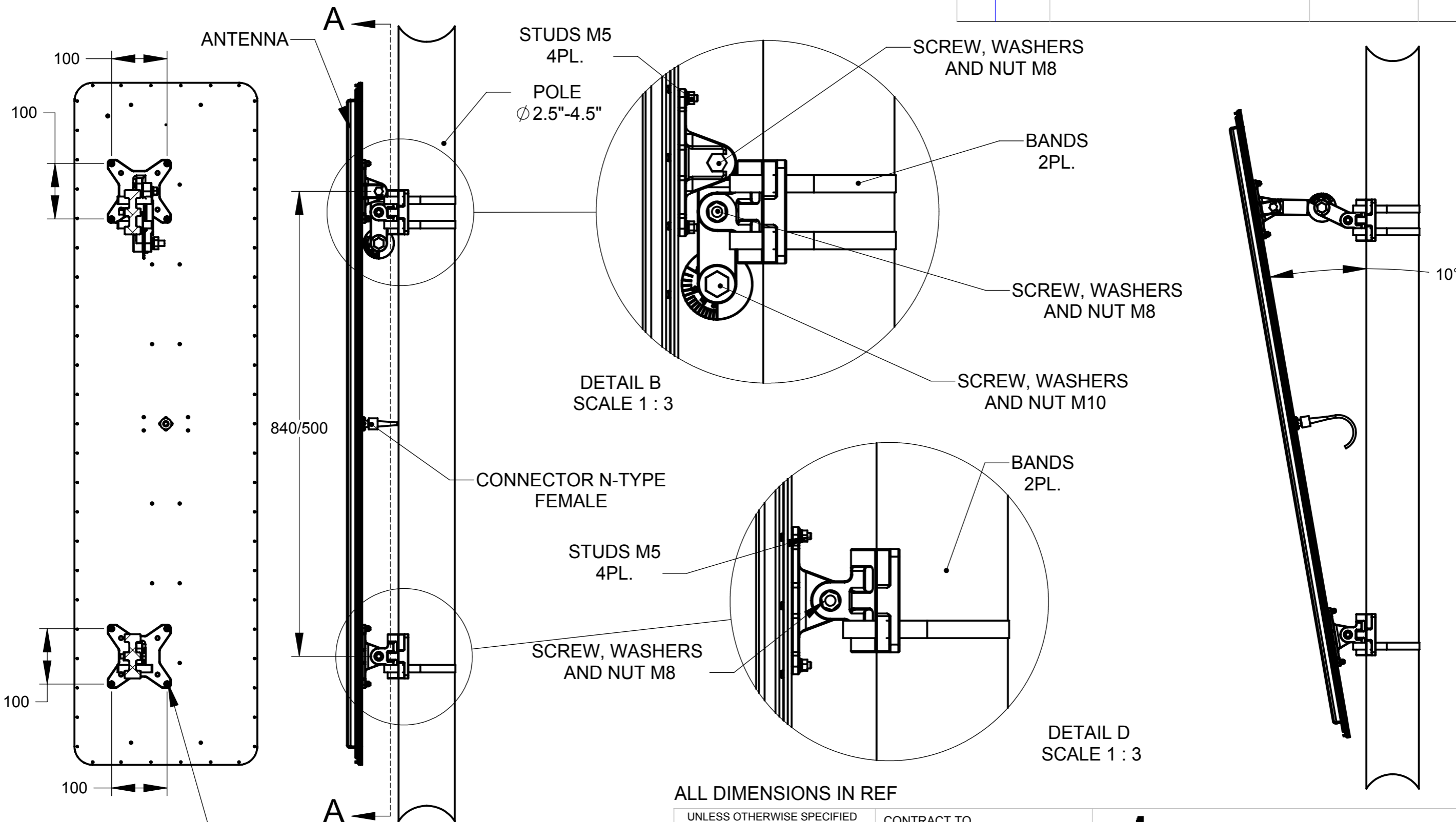
THIS DOCUMENT AND THE INFORMATION CONTAINED IN IT ARE PROPRIETARY AND CONFIDENTIAL TO M.T.I. NO PERSON IS ALLOWED TO COPY, REPRINT, REPRODUCE OR PUBLISH ANY PART OF THIS DOCUMENT, NOR DISCLOSE ITS CONTENTS TO OTHERS, NOR MAKE ANY USE OF IT, NOR ALLOW OR ASSIST OTHERS TO MAKE ANY USE OF IT - UNLESS BY THE PRIOR WRITTEN EXPRESS AUTHORIZATION OF M.T.I. AND THEN ONLY TO EXTENT AUTHORIZED. (C) COPYRIGHT - M.T.I. WIRELESS EDGE LTD.

SHEET REVISION STATUS

5	4	3	2	1	SHEET NO
				A	LATEST REV

DESCRIPTION

REV	ECO	REVISION RECORD	APVD	DATE
A	CX54	RELEASED	Yael H.	2.8.04



840/500

WASHERS AND NUTS M5 8PL.

SECTION A-A

DETAIL B SCALE 1 : 3

DETAIL D SCALE 1 : 3

ALL DIMENSIONS IN REF

UNLESS OTHERWISE SPECIFIED		CONTRACT TO			
DIMENSIONS ARE IN mm PER ANSI Y14.5M-1982		DWG	Yael	Yael	2.8.04
TOLERANCE		CHKD	GILLER	H.G	2.8.04
LINEAR	ANGULAR	DSGN	ALEX	A.D	2.8.04
±0.2	±/°	PROJ	ALEX	A.D	2.8.04
SURFACE TEXTURE IN MICRO IN.		MFG			
		QA	MOTOVICH	MOTI	2.8.04

MT-120021

NEXT ASSY



WIRELESS EDGE LTD.

TITLE POLE MOUNTING KIT MT-120021 ICD

SIZE A3

DWG NO RD41496400C

SCALE- 1:7

SHEET 1 OF 1