

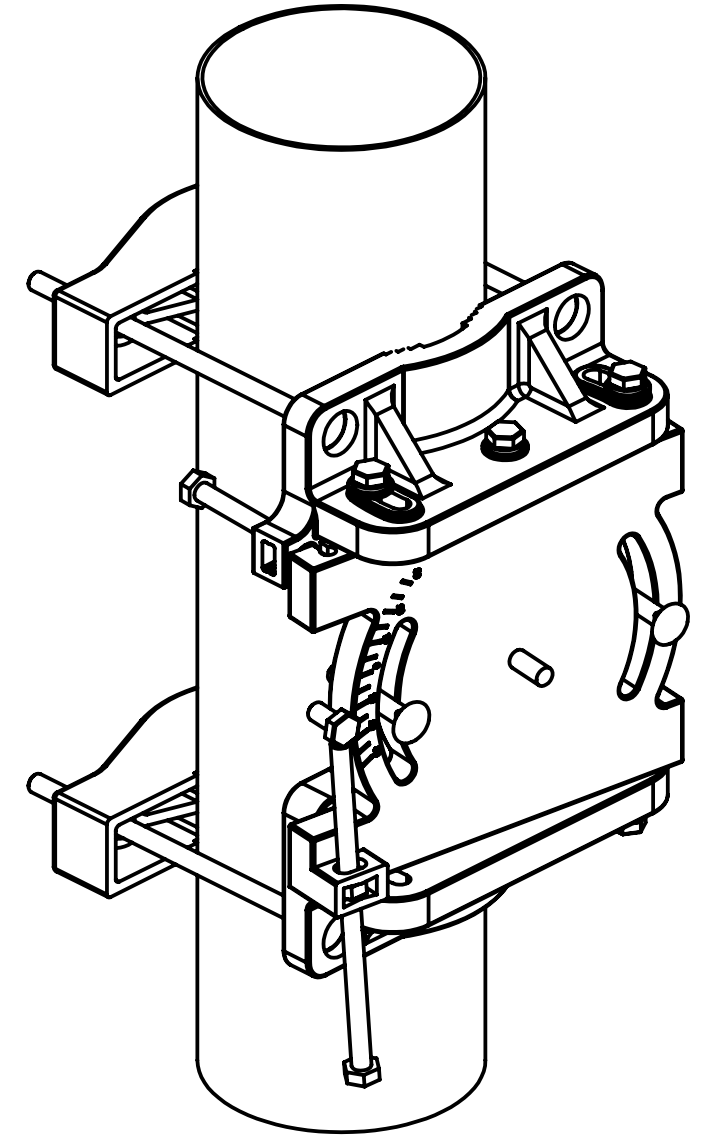
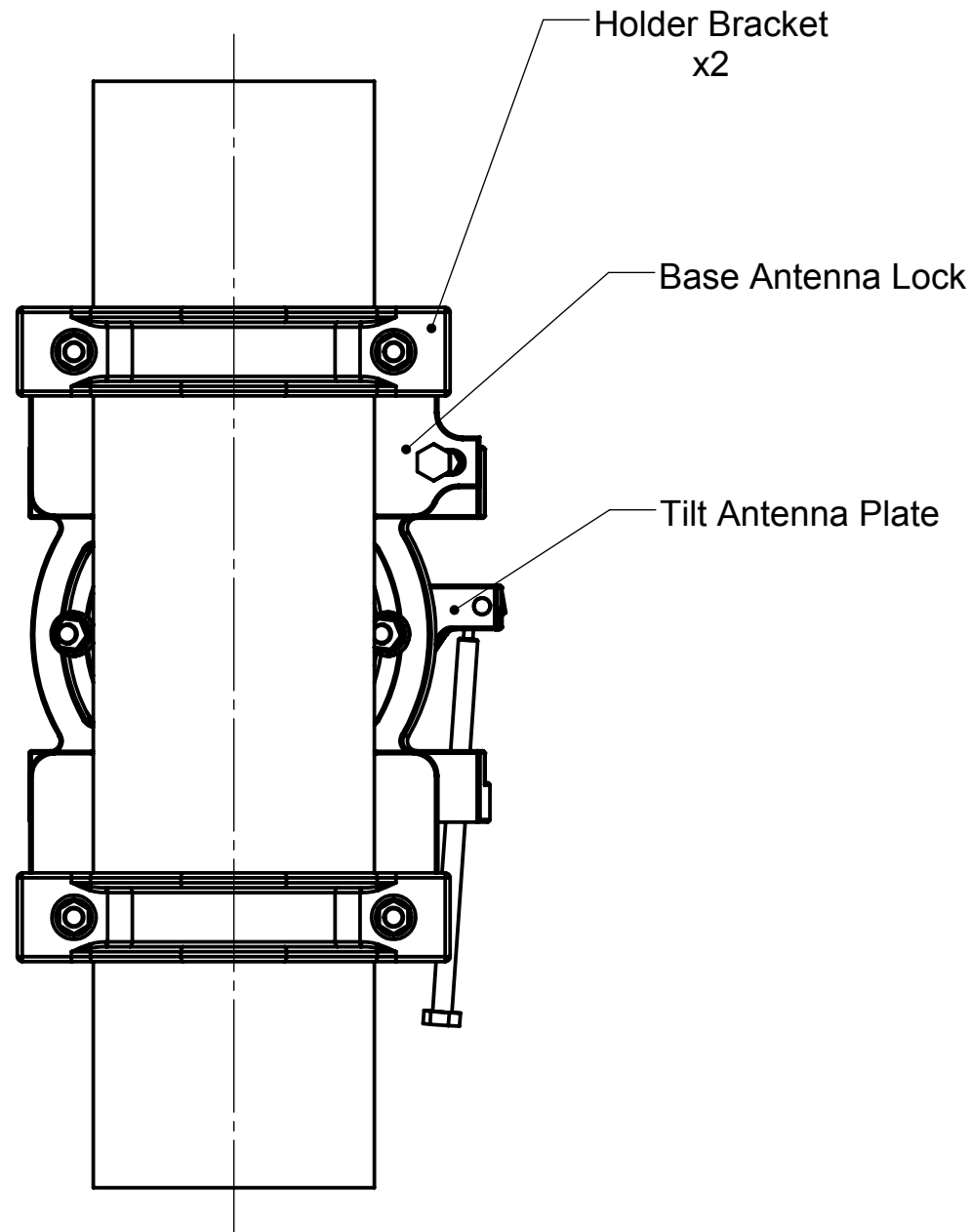
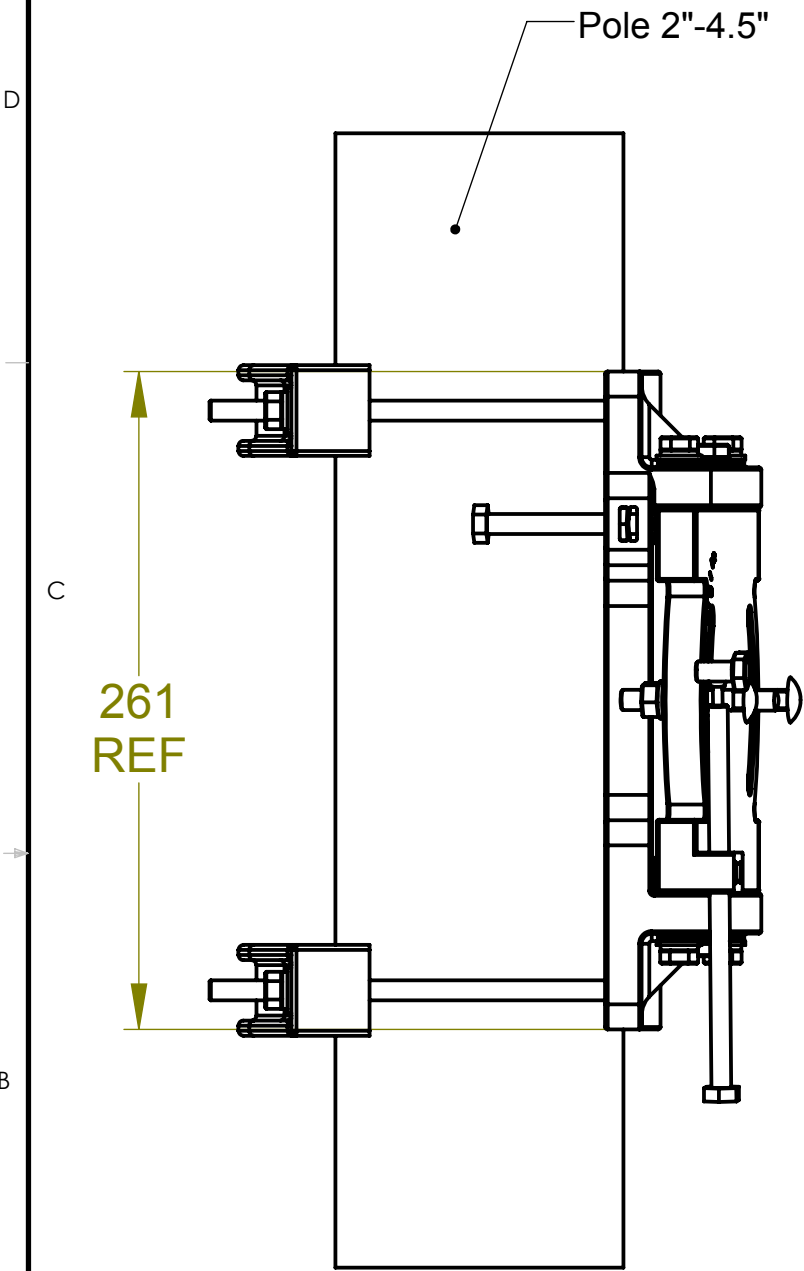
THIS DOCUMENT AND THE INFORMATION CONTAINED IN IT ARE PROPRIETARY AND CONFIDENTIAL TO M.T.I. NO PERSON IS ALLOWED TO COPY, REPRINT, REPRODUCE OR PUBLISH ANY PART OF THIS DOCUMENT, NOR DISCLOSE ITS CONTENTS TO OTHERS, NOR MAKE ANY USE OF IT, NOR ALLOW OR ASSIST OTHERS TO MAKE ANY USE OF IT - UNLESS BY THE PRIOR WRITTEN EXPRESS AUTHORIZATION OF M.T.I. AND THEN ONLY TO EXTENT AUTHORIZED. (C) COPYRIGHT - M.T.I. WIRELESS EDGE LTD.

SHEET REVISION STATUS

5	4	3	2	1	SHEET NO
				A	LATEST REV

REVISIONS

REV.	ECO	DESCRIPTION	DATE	APPROVED
A	DC77	RELEASED	10.4.13	Yael H.



UNLESS OTHERWISE SPECIFIED
DIMENSIONS ARE IN mm
PER ANSI Y14.5M-1982

TOLERANCE
LINEAR ANGULAR
±/ ±/ °



SURFACE TEXTURE IN MICRO IN.

CONTRACT TO

DWG	Yael	Yael	10.4.13
CHKD			
DSGN	GIL K.	G.K	10.4.13
PROJ	GIL K.	G.K	10.4.13
MFG			
QA	MOTOVICH	MOTI	10.4.13



WIRELESS EDGE LTD.

TITLE **ICD FOR MOUNTING KIT
MT-120032/A**

SIZE
A3

DWG NO RD43584400C

SCALE- 1:3

SHEET 1 OF 1

MT-120032/A

NEXT ASSY

8

7

6

5

4

3

2

1

8

7

6

5

4

3

2

1

D

C

B

A

D

C

B

A