

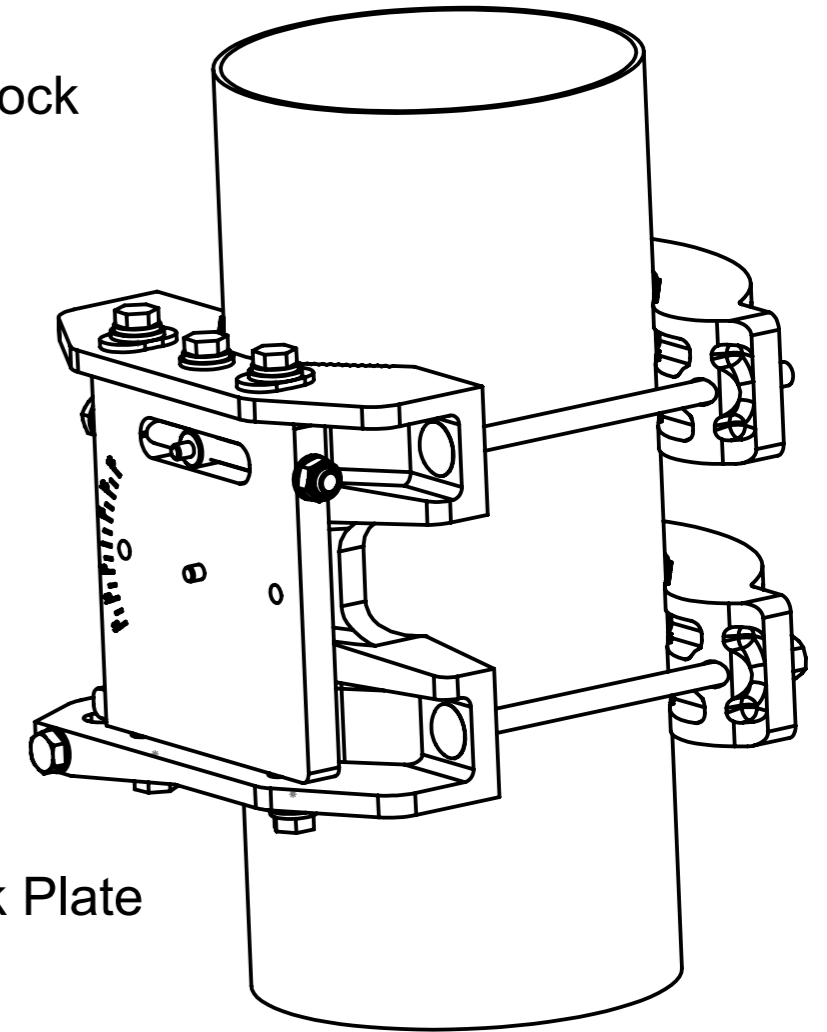
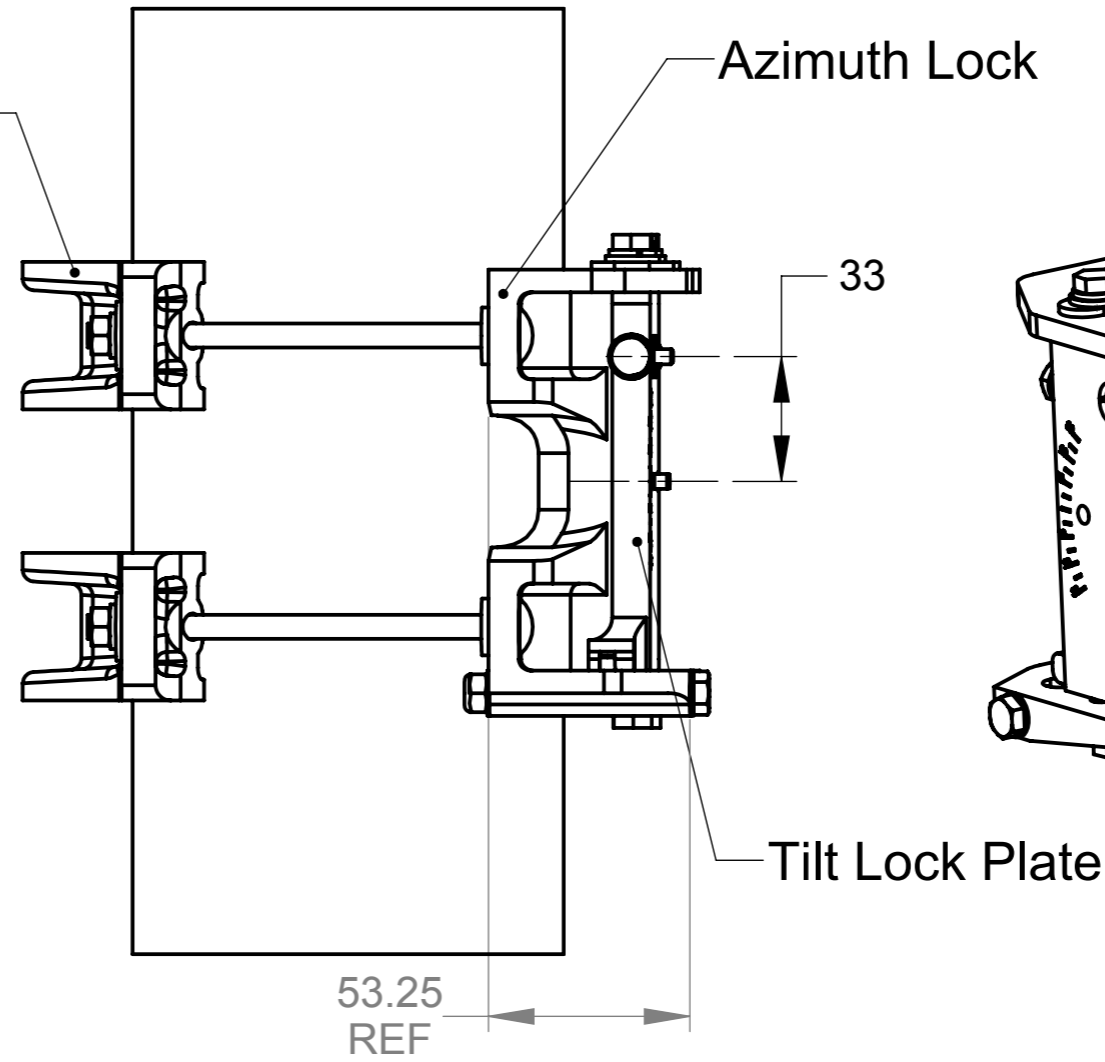
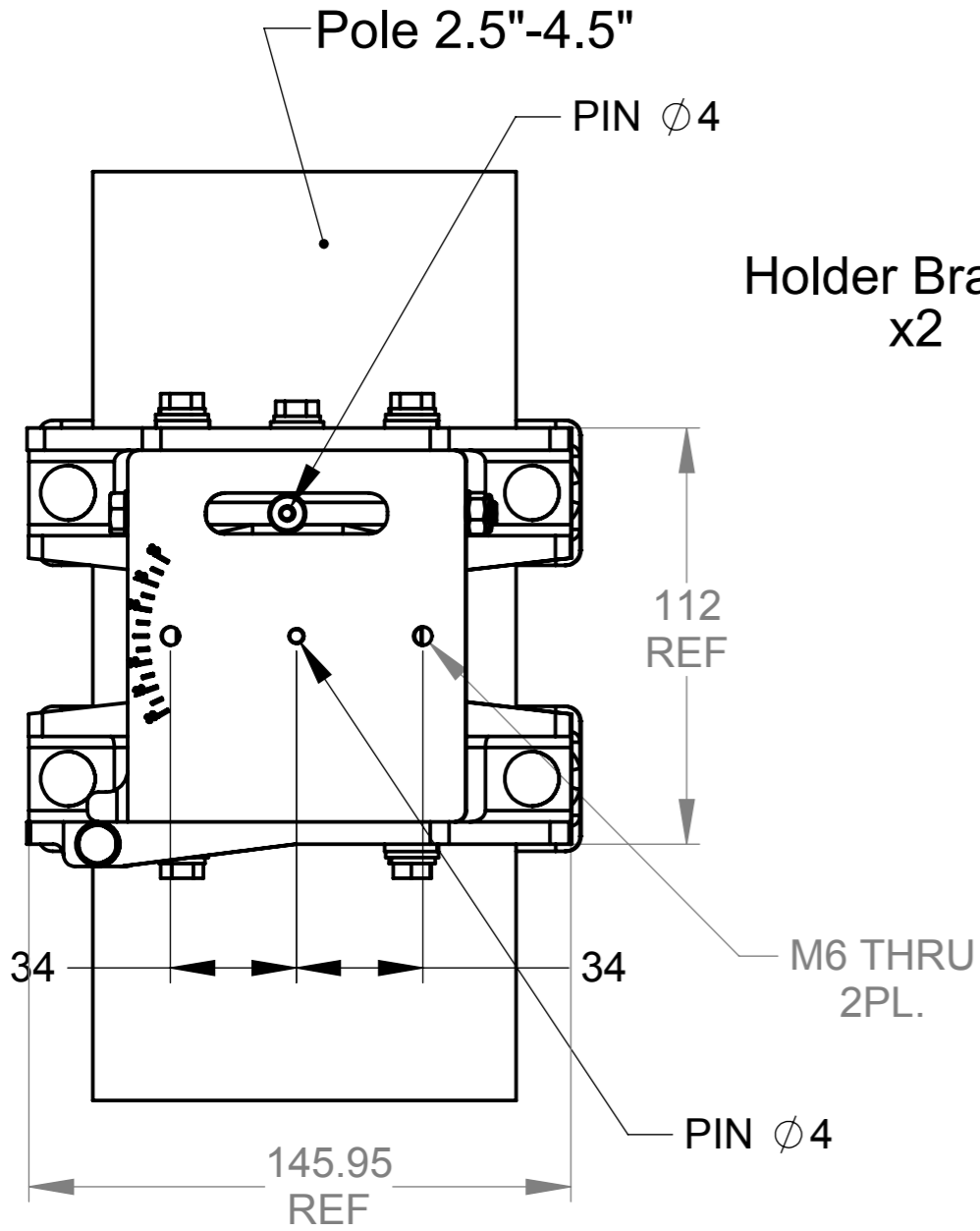
THIS DOCUMENT AND THE INFORMATION CONTAINED IN IT ARE PROPRIETARY AND CONFIDENTIAL TO M.T.I NO PERSON IS ALLOWED TO COPY, REPRINTREPRODUCE OR PUBLISH ANY PART OF THIS DOCUMENT, NOR DISCLOSE ITS CONTENTS TO OTHERS, NOR MAKE ANY USE OF IT, NOR ALLOW OR ASSIST OTHERS TO MAKE ANY USE OF IT - UNLESS BY THE PRIOR WRITTEN EXPRESS AUTHORIZATION OF M.T.I AND THEN ONLY TO EXTENT AUTHORIZED. (C) COPYRIGHT - M.T.I WIRELESS EDGE LTD.

SHEET REVISION STATUS

5	4	3	2	1	SHEET NO
				A	LATEST REV

REVISIONS

REV.	ECO	DESCRIPTION	DATE	APPROVED
A	DH06	RELEASED	11.9.14	Yael H.



UNLESS OTHERWISE SPECIFIED		CONTRACT TO			
DIMENSIONS ARE IN mm PER ANSI Y14.5M-1982		DWG	Yael	Yael	27.4.14
TOLERANCE		CHKD			
LINEAR	ANGULAR	DSGN	GIL K.	G.K	30.4.14
$\pm /$	$\pm / ^\circ$	PROJ	GIL K.	G.K	30.4.14
		MFG			
		QA	SHLOMO A.	S.A	10.9.14

Mti WIRELESS EDGE LTD.		TITLE		ICD FOR MOUNTING KIT	
				MT-120034	
SIZE	DWG NO				
A3	RD43778400C				
SCALE- 1:2		SHEET 1 OF 1			

MT-120034

NEXT ASSY

