

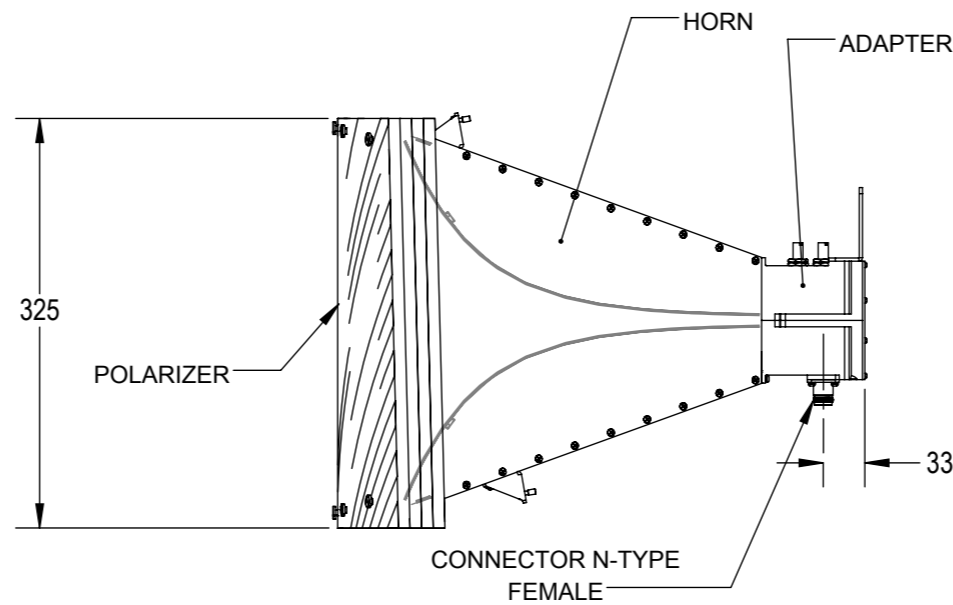
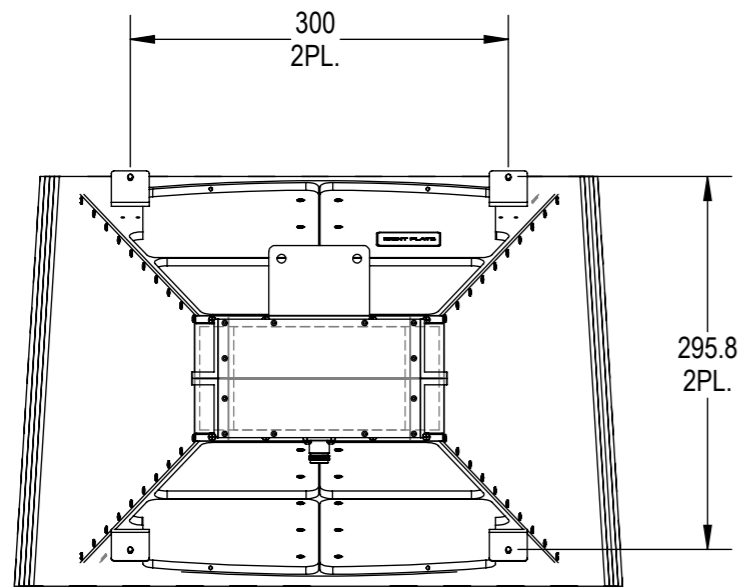
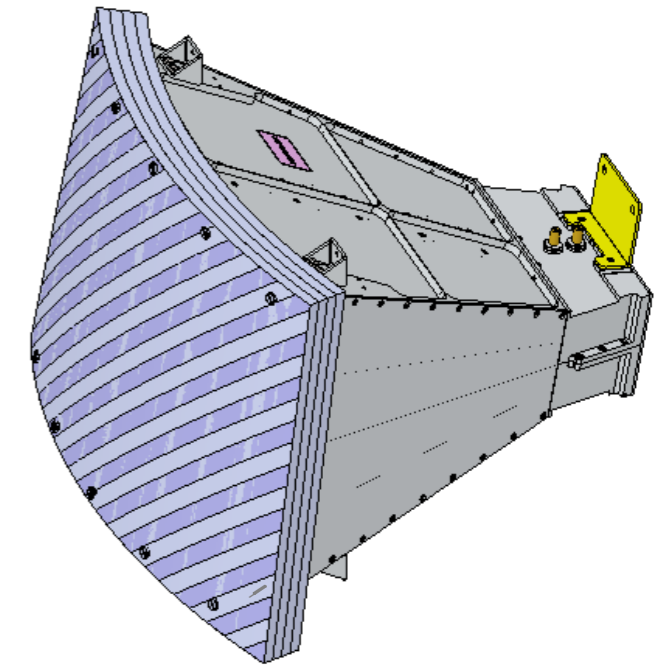
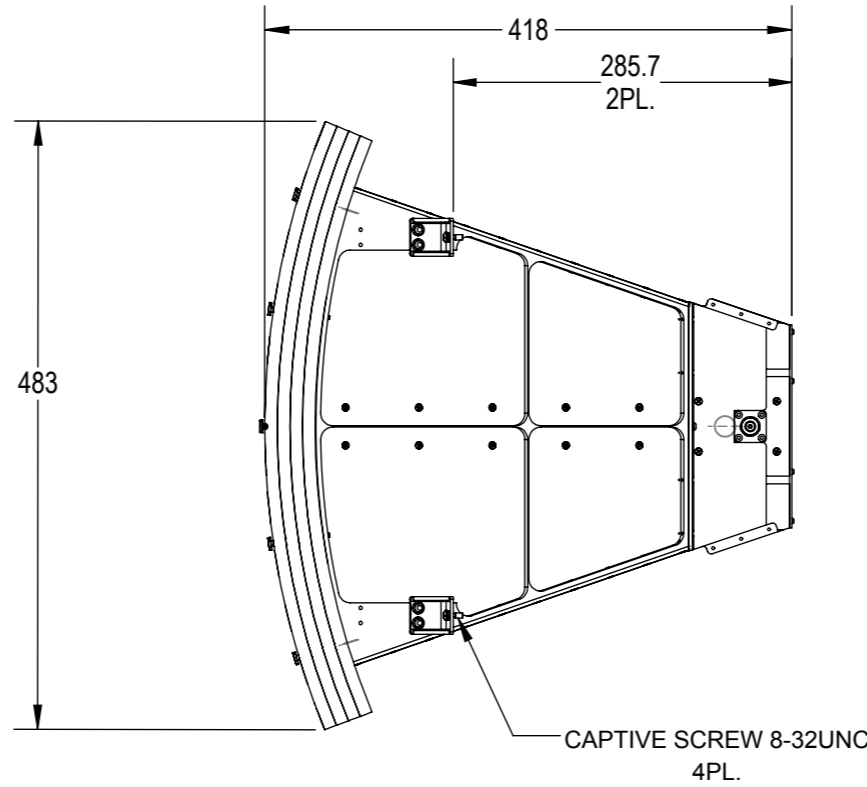
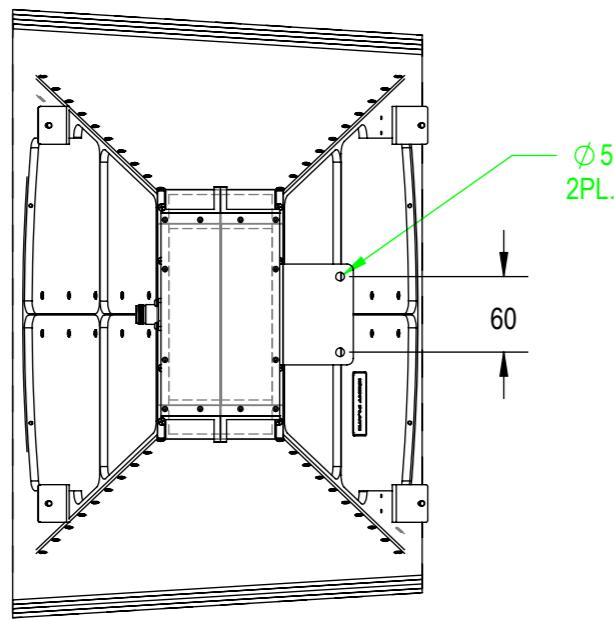
THIS DOCUMENT AND THE INFORMATION CONTAINED IN IT ARE PROPRIETARY AND CONFIDENTIAL TO M.T.I NO PERSON IS ALLOWED TO COPY, REPRINT, REPRODUCE OR PUBLISH ANY PART OF THIS DOCUMENT, NOR DISCLOSE ITS CONTENTS TO OTHERS, NOR MAKE ANY USE OF IT, NOR ALLOW OR ASSIST OTHERS TO MAKE ANY USE OF IT - UNLESS BY THE PRIOR WRITTEN EXPRESS AUTHORIZATION OF M.T.I AND THEN ONLY TO EXTENT AUTHORIZED. (C) COPYRIGHT - M.T.I WIRELESS EDGE LTD.

SHEET REVISION STATUS

5	4	3	2	1	SHEET NO
					LATEST REV

DESCRIPTION

REV	ECO	REVISION RECORD	APVD	DATE



WEIGHT OF ANTENNA - 6.5kg.

UNLESS OTHERWISE SPECIFIED		CONTRACT TO	
DIMENSIONS ARE IN mm PER ANSI Y14.5M-1994		DWG	Y AEL Y AEL 12.1.16
TOLERANCE		CHKD	
LINEAR	ANGULAR	DSGN	GILLER H.G 12.1.16
$\pm /$	$\pm / ^\circ$	PROJ	
		MFG	
		QA	

Mti WIRELESS EDGE LTD.	
TITLE ANTENNA 0.5-2GHz,MT-282015/N ICD	
SIZE A3	DWG NO RD43040800M
SCALE- 1:6	SHEET 1 OF 1

MT-282015/N
NEXT ASSY

