

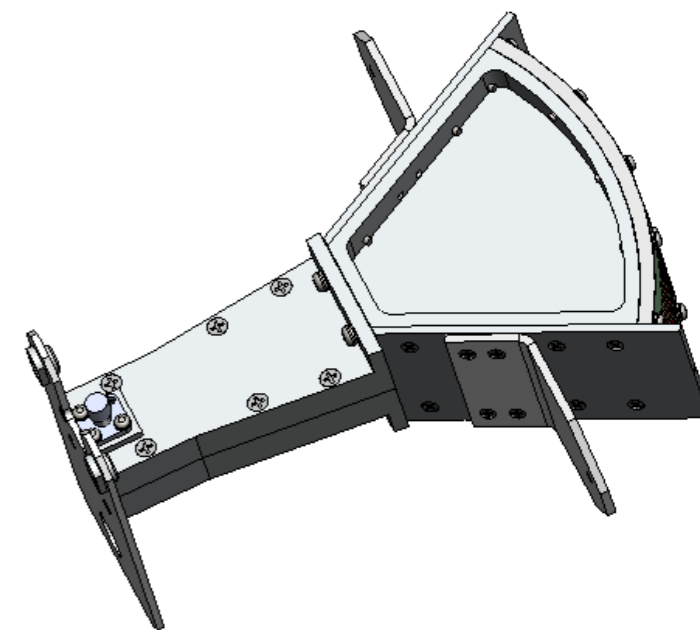
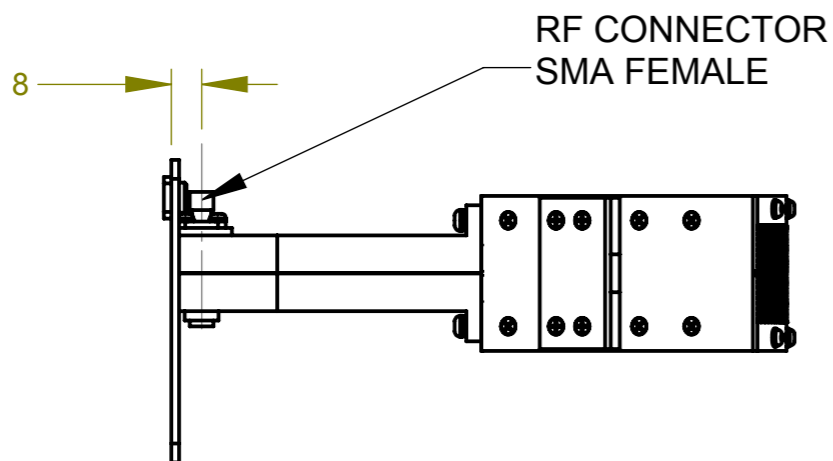
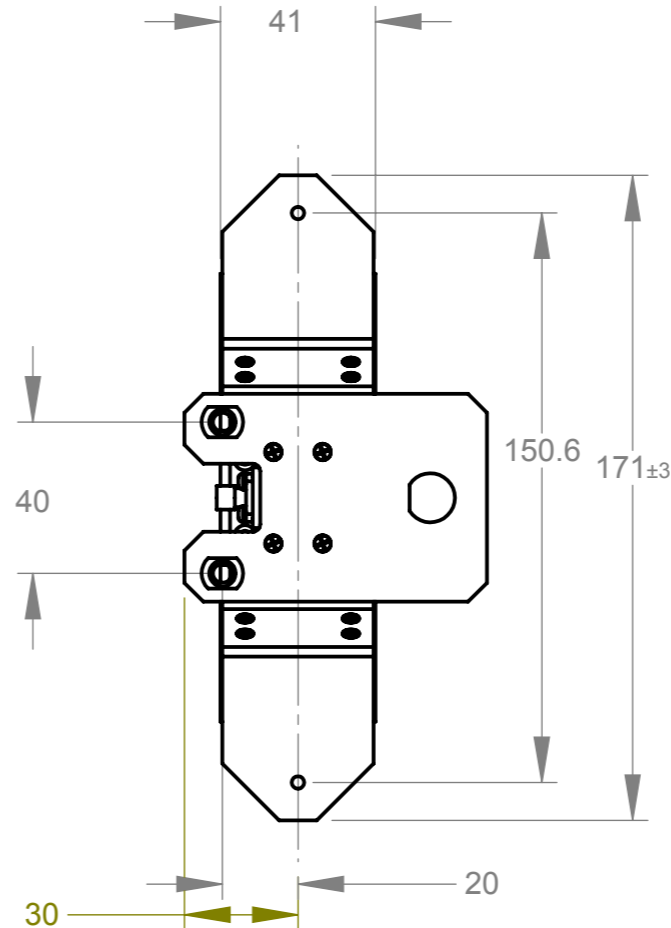
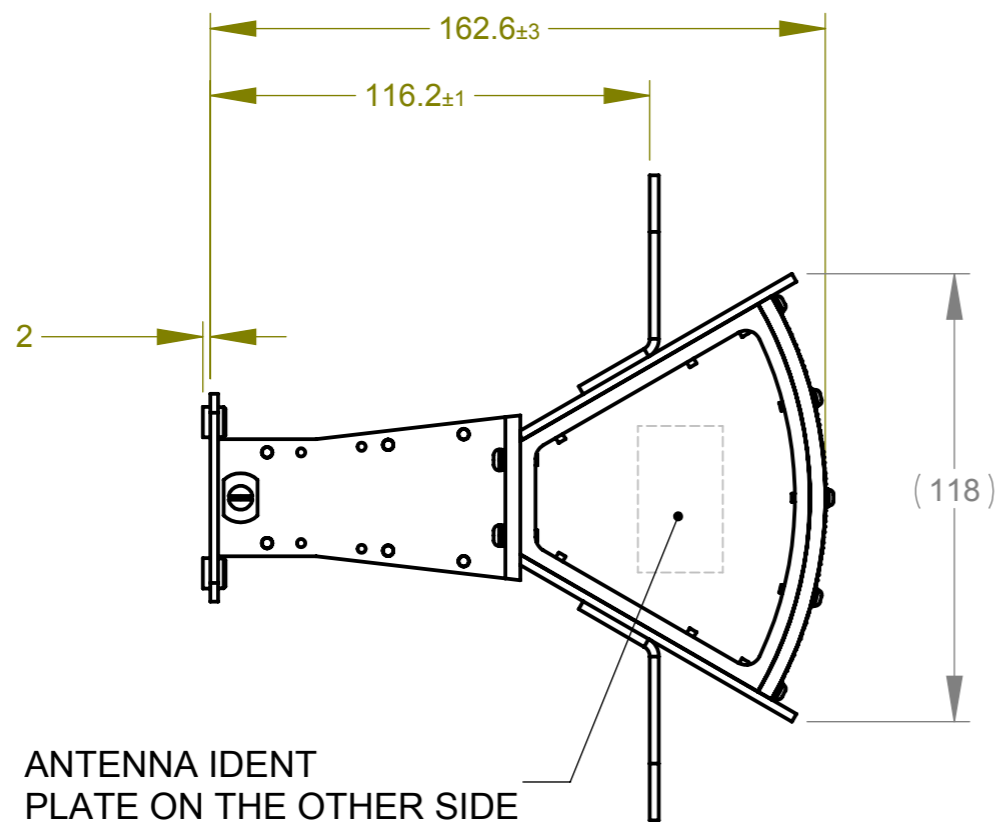
THIS DOCUMENT AND THE INFORMATION CONTAINED IN IT ARE PROPRIETARY AND CONFIDENTIAL TO M.T.I. NO PERSON IS ALLOWED TO COPY, REPRINT REPRODUCE OR PUBLISH ANY PART OF THIS DOCUMENT, NOR DISCLOSE ITS CONTENTS TO OTHERS, NOR MAKE ANY USE OF IT, NOR ALLOW OR ASSIST OTHERS TO MAKE ANY USE OF IT - UNLESS BY THE PRIOR WRITTEN EXPRESS AUTHORIZATION OF M.T.I. AND THEN ONLY TO EXTENT AUTHORIZED. (C) COPYRIGHT - M.T.I. WIRELESS EDGE LTD.

SHEET REVISION STATUS

5	4	3	2	1	SHEET NO
					LATEST REV

REVISIONS

REV.	ECO	DESCRIPTION	DATE	APPROVED



UNLESS OTHERWISE SPECIFIED		CONTRACT TO		
DIMENSIONS ARE IN mm PER ANSI Y14.5M-1982		DWG		
TOLERANCE		CHKD		
LINEAR	ANGULAR	DSGN	Ilan V.	I. V. 1/10/15
± 0.3	± / °	PROJ		
		MFG		
		QA		

**Mti** WIRELESS EDGE LTD.

TITLE MT-501003/A OUTLINE DRAWING

SIZE A3 DWG NO RD43970700M

SCALE- 1:2 SHEET 1 OF 1

/

ANTENNA P/N

