

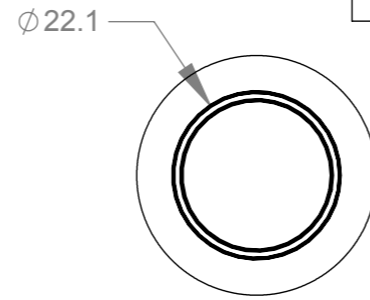
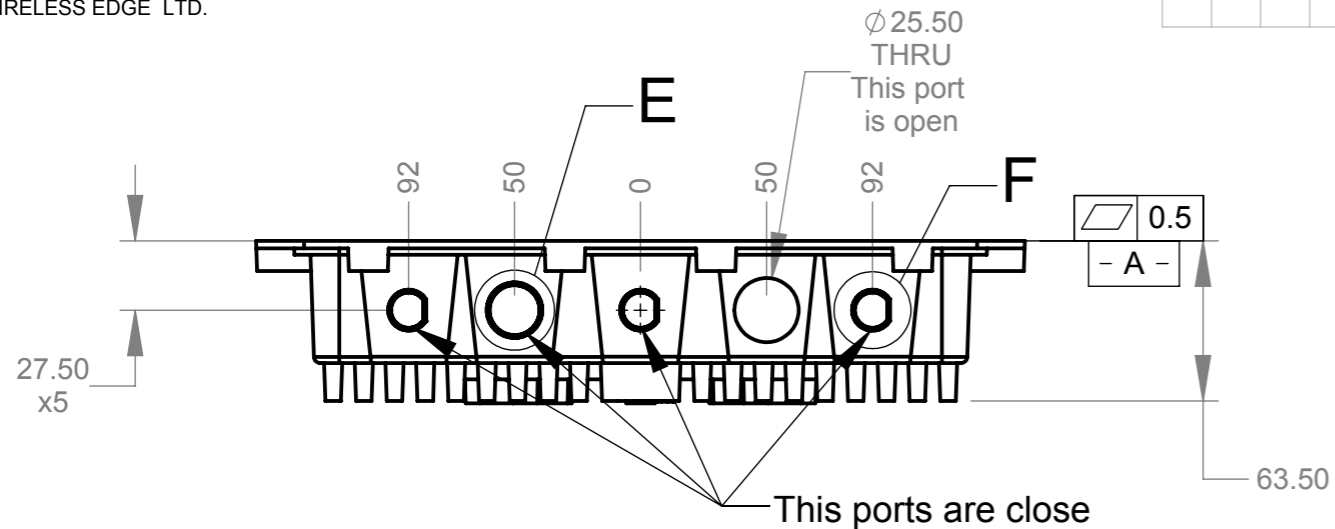
THIS DOCUMENT AND THE INFORMATION CONTAINED IN IT ARE PROPRIETARY AND CONFIDENTIAL TO M.T.I. NO PERSON IS ALLOWED TO COPY, REPRINT, REPRODUCE OR PUBLISH ANY PART OF THIS DOCUMENT, NOR DISCLOSE ITS CONTENTS TO OTHERS, NOR MAKE ANY USE OF IT, NOR ALLOW OR ASSIST OTHERS TO MAKE ANY USE OF IT - UNLESS BY THE PRIOR WRITTEN EXPRESS AUTHORIZATION OF M.T.I. AND THEN ONLY TO EXTENT AUTHORIZED. (C) COPYRIGHT - M.T.I. WIRELESS EDGE LTD.

**SHEET REVISION STATUS**

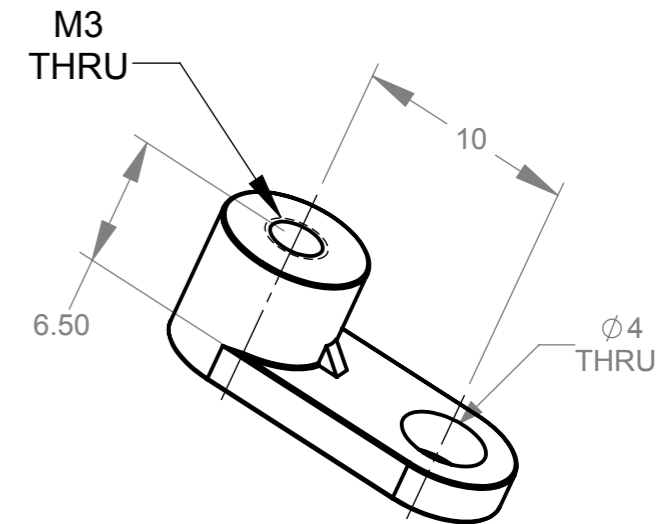
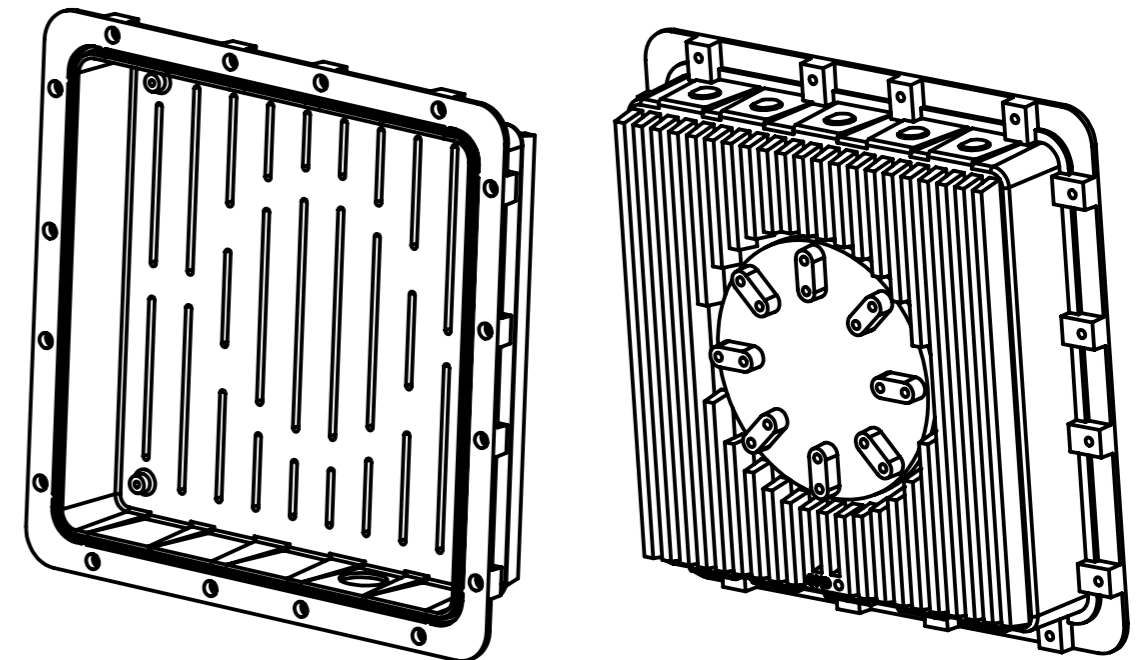
5	4	3	2	1	SHEET NO
				B	LATEST REV

**REVISIONS**

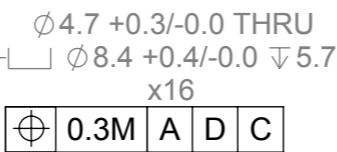
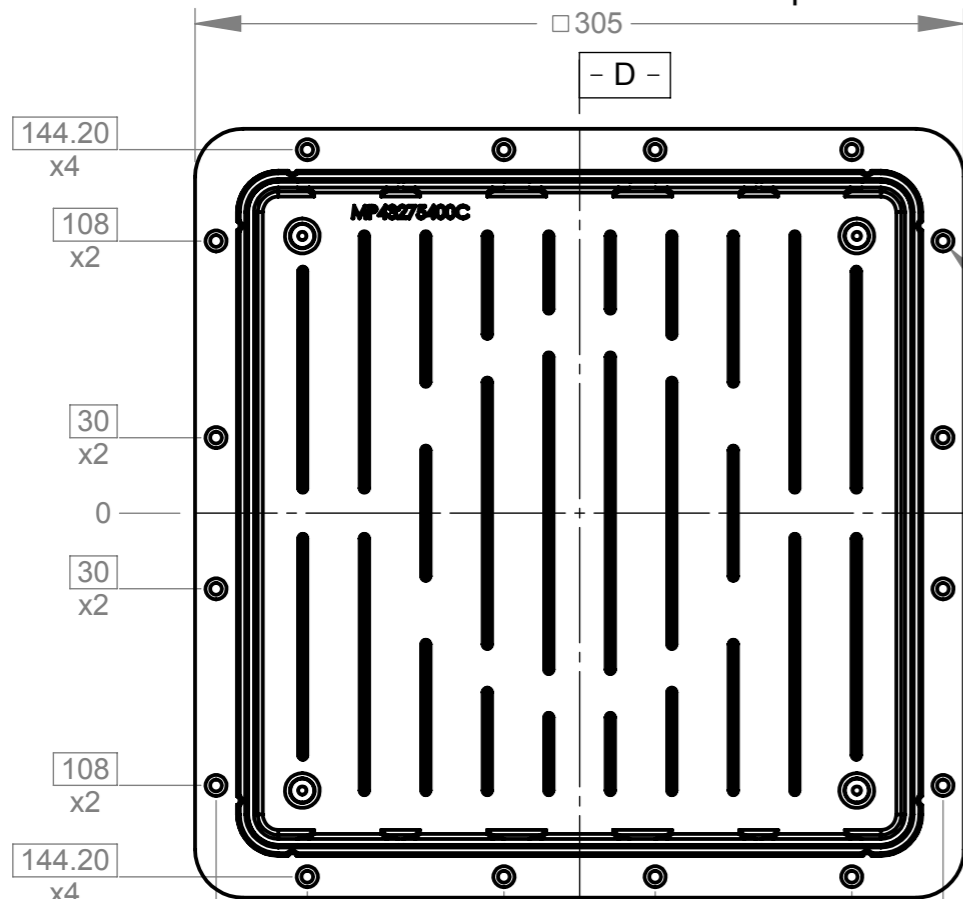
REV.	ECO	DESCRIPTION	DATE	APPROVED
01		ADD INSTALLATION VIEW	31.5.12	Yael H.
A	DE74	RELEASED	30.8.12	Yael H.
B	7561	UPDATE LOCATION OF OPEN PORT	19.10.15	Yael H.



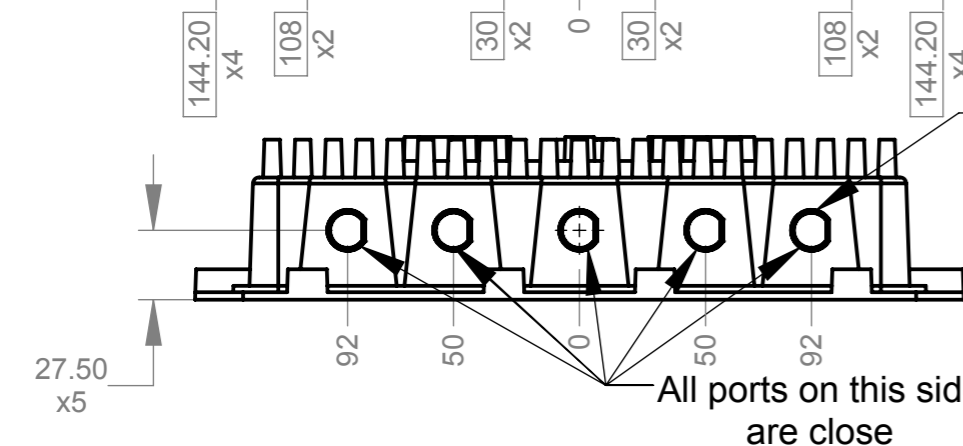
DETAIL E  
SCALE 1 : 1



**Plastic Spacer  
x10**



DETAIL F  
SCALE 1 : 1  
x8



SEE DETAIL F

MT-900042  
NEXT ASSY

UNLESS OTHERWISE SPECIFIED

DIMENSIONS ARE IN mm  
PER ANSI Y14.5M-1982

TOLERANCE

LINEAR ANGULAR

± 0.4 ± / °



SURFACE TEXTURE IN MICRO IN.

CONTRACT TO			
DWG	Yael	Yael	26.8.12
CHKD			
DSGN	ILAN V.	I.V.	26.8.12
PROJ	ILAN V.	I.V.	26.8.12
MFG			
QA	SHLOMO A.	S.A	26.8.12



WIRELESS EDGE LTD.

**ENCLOSURE 1ft  
MT-900042 ICD**

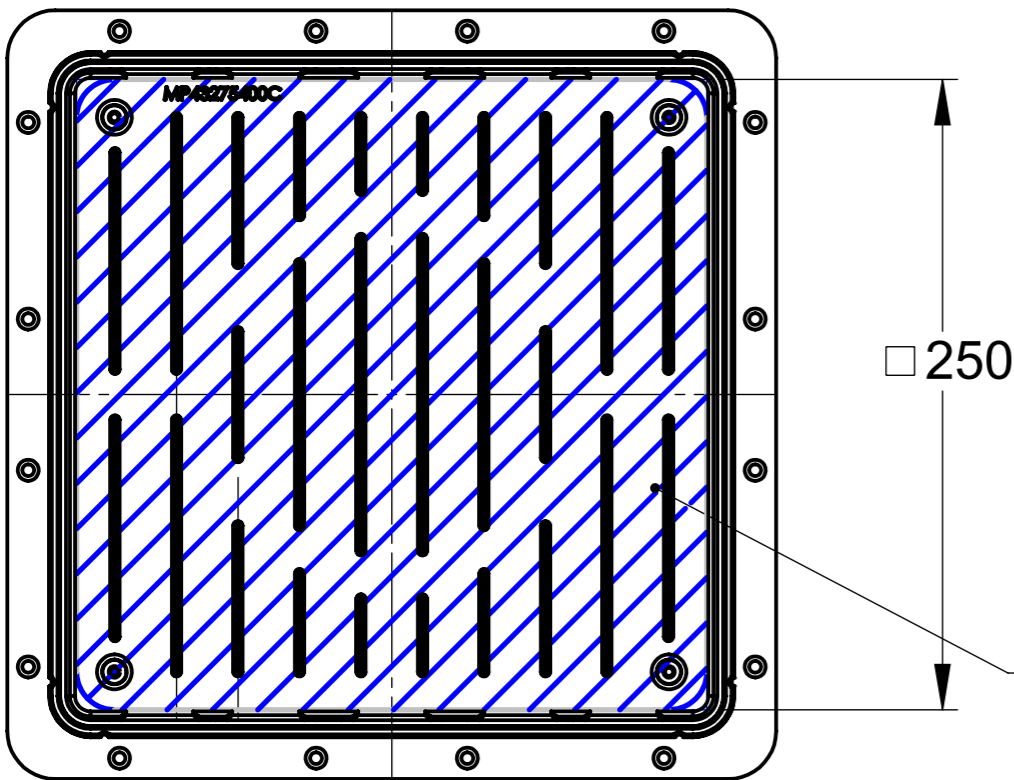
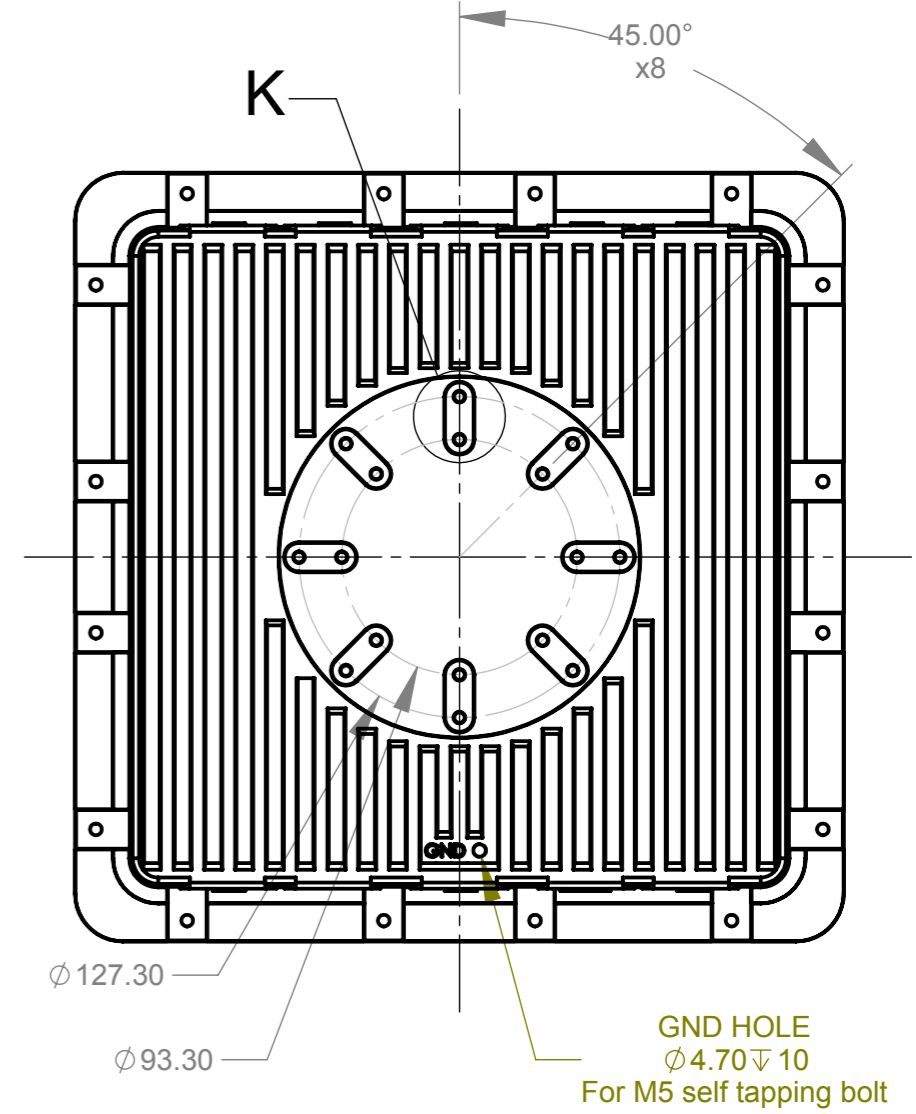
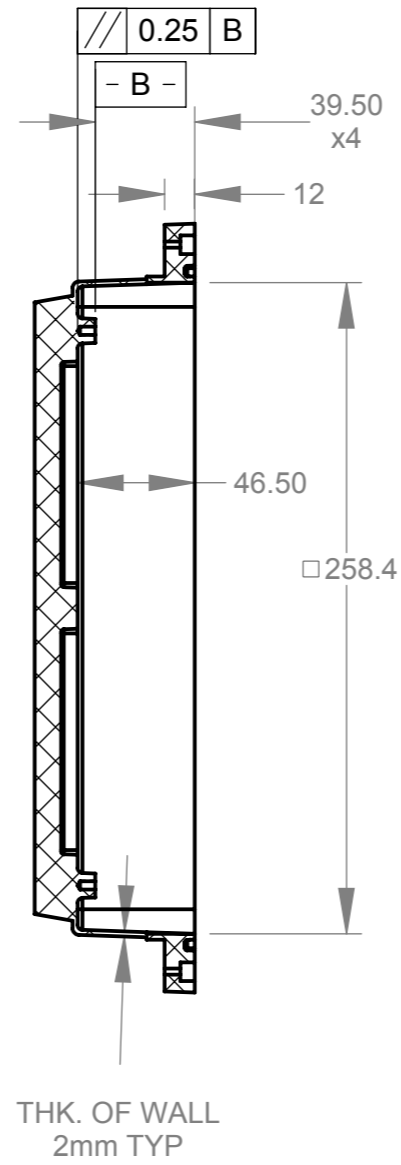
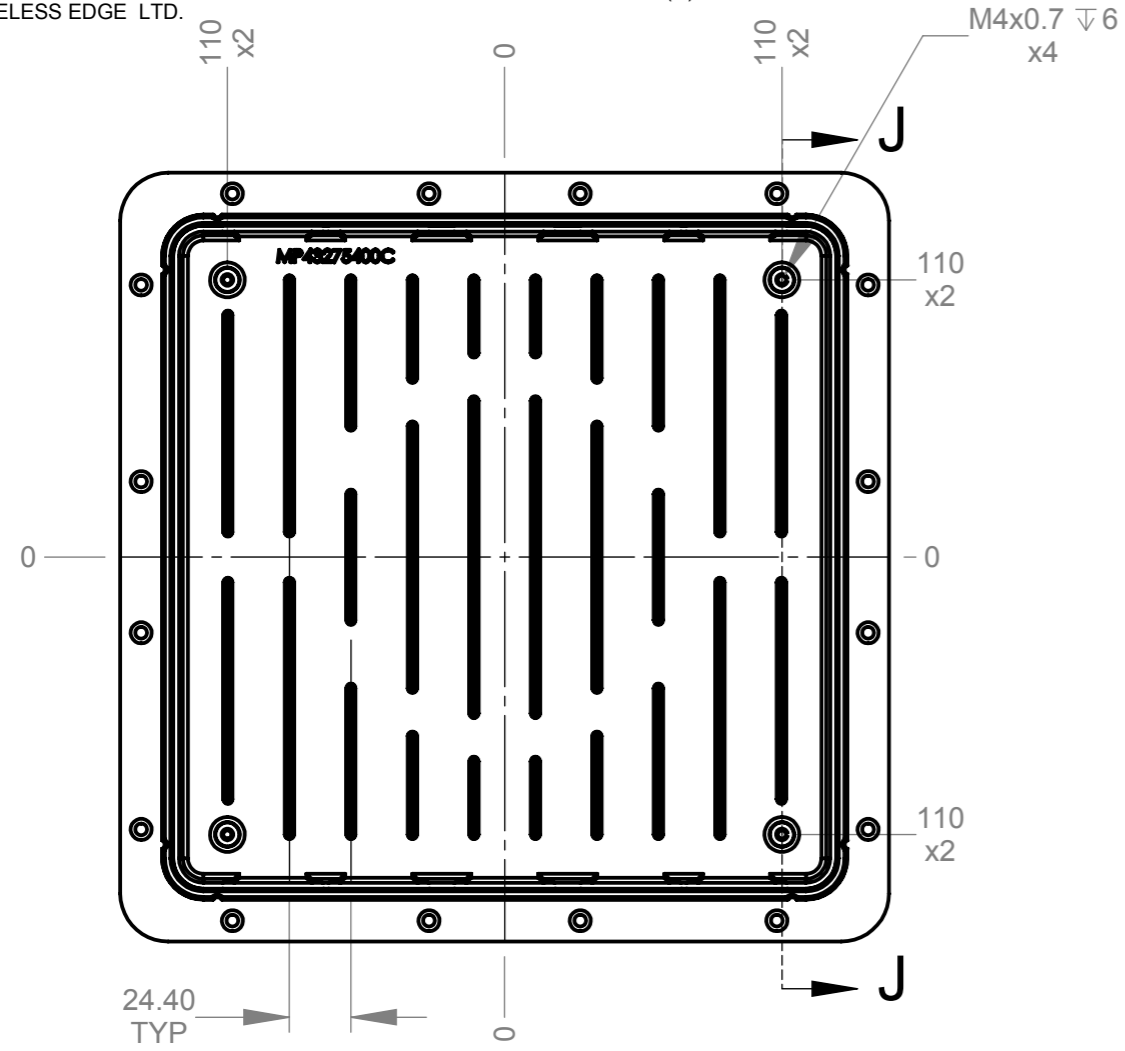
SIZE  
A3

DWG NO RD43402200C

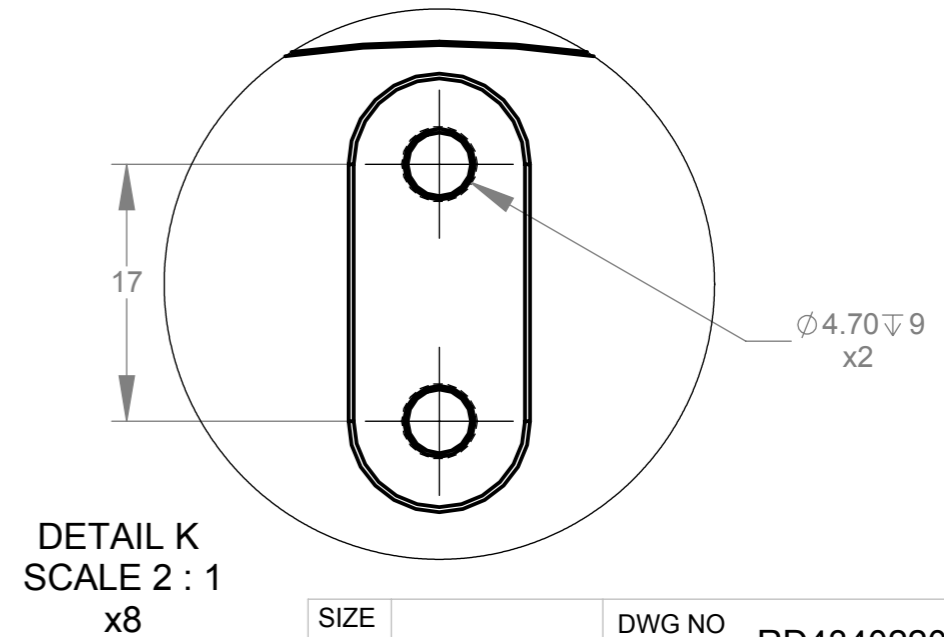
SCALE- 1:3

SHEET 1 OF 2

THIS DOCUMENT AND THE INFORMATION CONTAINED IN IT ARE PROPRIETARY AND CONFIDENTIAL TO M.T.I NO PERSON IS ALLOWED TO COPY, REPRINT, REPRODUCE OR PUBLISH ANY PART OF THIS DOCUMENT, NOR DISCLOSE ITS CONTENTS TO OTHERS, NOR MAKE ANY USE OF IT, NOR ALLOW OR ASSIST OTHERS TO MAKE ANY USE OF IT - UNLESS BY THE PRIOR WRITTEN EXPRESS AUTHORIZATION OF M.T.I AND THEN ONLY TO THE EXTENT AUTHORIZED. (C) COPYRIGHT - M.T.I WIRELESS EDGE LTD.



SECTION J-J



SIZE A3	Rev--	DWG NO RD43402200C
SCALE- 1:3		SHEET 2 OF 2