

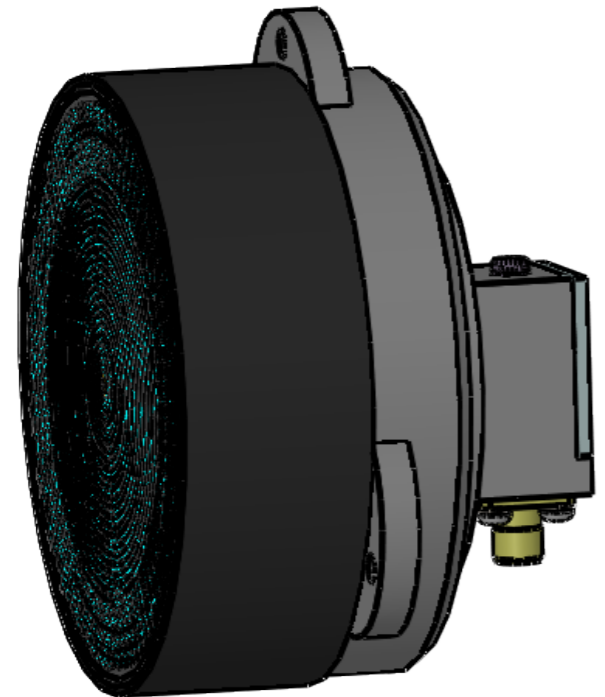
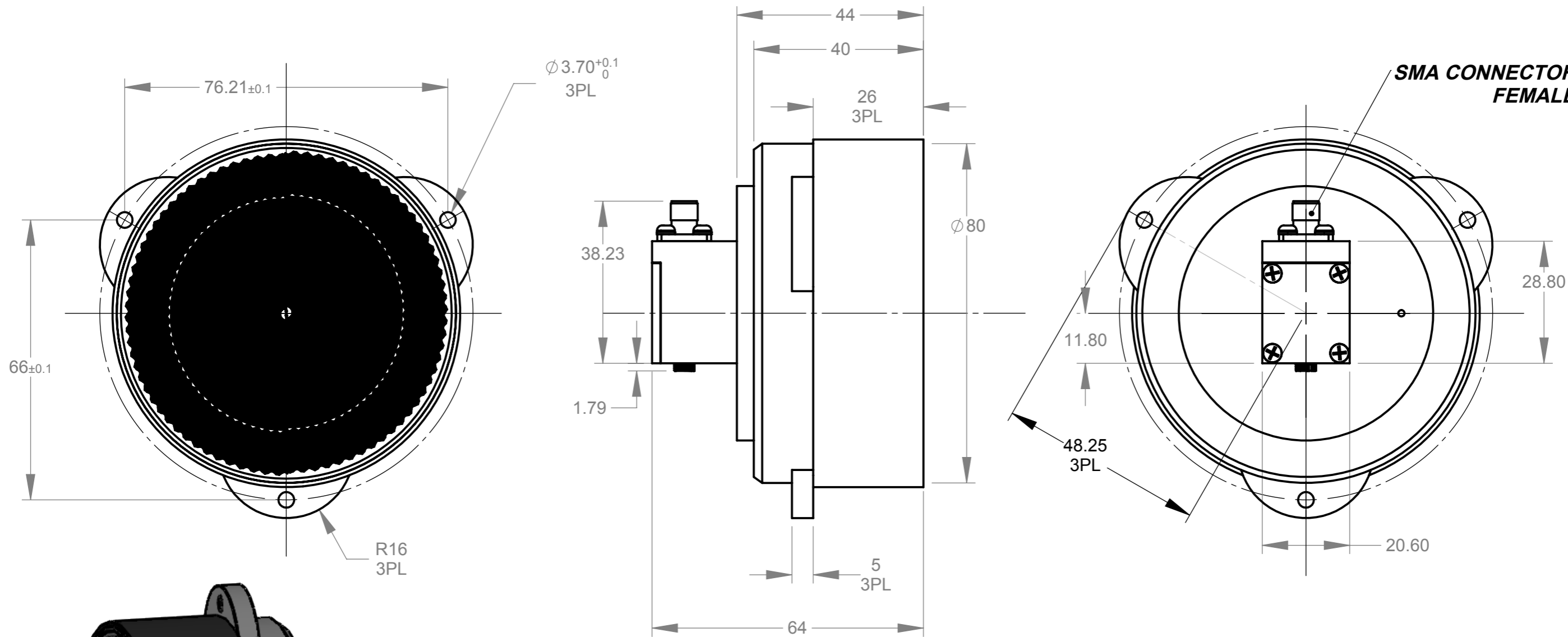
THIS DOCUMENT AND THE INFORMATION CONTAINED IN IT ARE PROPRIETARY AND CONFIDENTIAL TO M.T.I. NO PERSON IS ALLOWED TO COPY, REPRINT REPRODUCE OR PUBLISH ANY PART OF THIS DOCUMENT, NOR DISCLOSE ITS CONTENTS TO OTHERS, NOR MAKE ANY USE OF IT, NOR ALLOW OR ASSIST OTHERS TO MAKE ANY USE OF IT - UNLESS BY THE PRIOR WRITTEN EXPRESS AUTHORIZATION OF M.T.I. AND THEN ONLY TO EXTENT AUTHORIZED. (C) COPYRIGHT - M.T.I. WIRELESS EDGE LTD.

SHEET REVISION STATUS

5	4	3	2	1	SHEET NO
					LATEST REV

REVISIONS

REV.	ECO	DESCRIPTION	DATE	APPROVED



NOTES

1. HOUSING MATERIAL - ALUMINUM WIT ALODINE COATING.
2. WEIGHT - 350 gr.

UNLESS OTHERWISE SPECIFIED		CONTRACT TO			
DIMENSIONS ARE IN mm PER ANSI Y14.5M-1982		DWG	Yael	Yael	30.7.19
TOLERANCE		CHKD	IDAN M.	I.M	30.7.19
LINEAR	ANGULAR	DSGN	GILLER	H.G	30.7.19
± REF	± / °	PROJ	GILLER	H.G	30.7.19
		MFG			
		QA	MICHA G.	M.G	30.7.19
SURFACE TEXTURE IN MICRO IN.					

MT-959624
ANTENNA P/N

Mti WIRELESS EDGE LTD.
TITLE SPIRAL ANTENNA 1-18GHz - ICD MT095D00RH
SIZE A3 DWG NO RD44336600M
SCALE- 1:2 SHEET 1 OF 1