

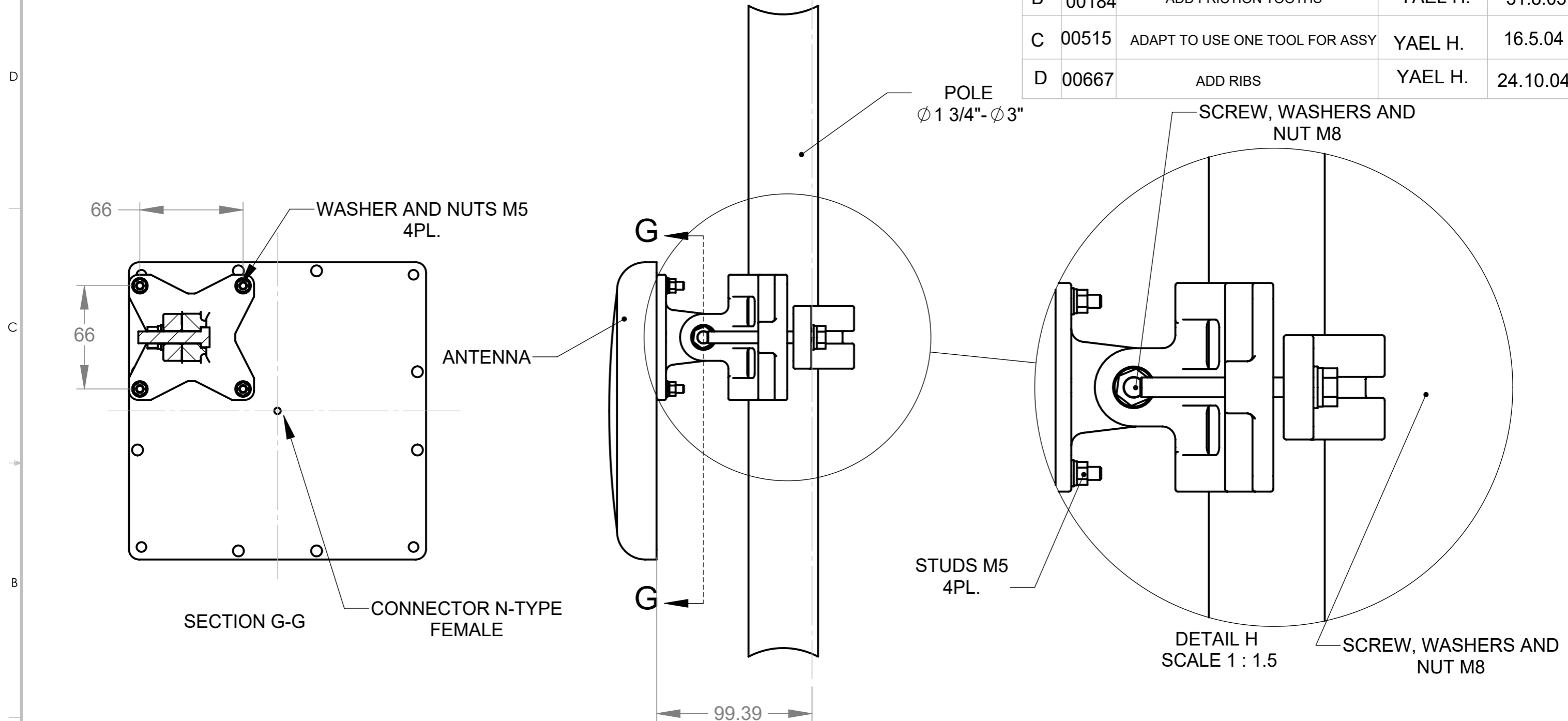
THIS DOCUMENT AND THE INFORMATION CONTAINED IN IT ARE PROPRIETARY AND CONFIDENTIAL TO M.T.I NO PERSON IS ALLOWED TO COPY, REPRINTREPRODUCE OR PUBLISH ANY PART OF THIS DOCUMENT, NOR DISCLOSE ITS CONTENTS TO OTHERS, NOR MAKE ANY USE OF IT, NOR ALLOW OR ASSIST OTHERS TO MAKE ANY USE OF IT - UNLESS BY THE PRIOR WRITTEN EXPRESS AUTHORIZATION OF M.T.I AND THEN ONLY TO EXTENT AUTHORIZED. (C) COPYRIGHT - M.T.I WIRELESS EDGE LTD.

**SHEET REVISION STATUS**

5	4	3	2	1	SHEET NO
		D	D	D	LATEST REV

**DESCRIPTION**

REV	ECO	REVISION RECORD	APVD	DATE
A	CT39	RELEASED	Yael H.	30.7.02
B	00184	ADD FRICTION TOOTH	Yael H.	31.8.03
C	00515	ADAPT TO USE ONE TOOL FOR ASSY	Yael H.	16.5.04
D	00667	ADD RIBS	Yael H.	24.10.04



**ALL DIMENSIONS IN REF**

UNLESS OTHERWISE SPECIFIED		CONTRACT TO			
DIMENSIONS ARE IN mm PER ANSI Y14.5M-1982		DWG	Yael	Yael	28.7.02
TOLERANCE		CHKD	GILLER	H.G	28.7.02
LINEAR	ANGULAR	DSGN	ROSTMY	M.R	29.7.02
±0.2	±/ °	PROJ	ROSTMY	M.R	29.7.02
SURFACE TEXTURE IN MICRO IN.		MFG			
		QA	MOTOVICH	MOTI	29.7.02

**Mti** WIRELESS EDGE LTD.

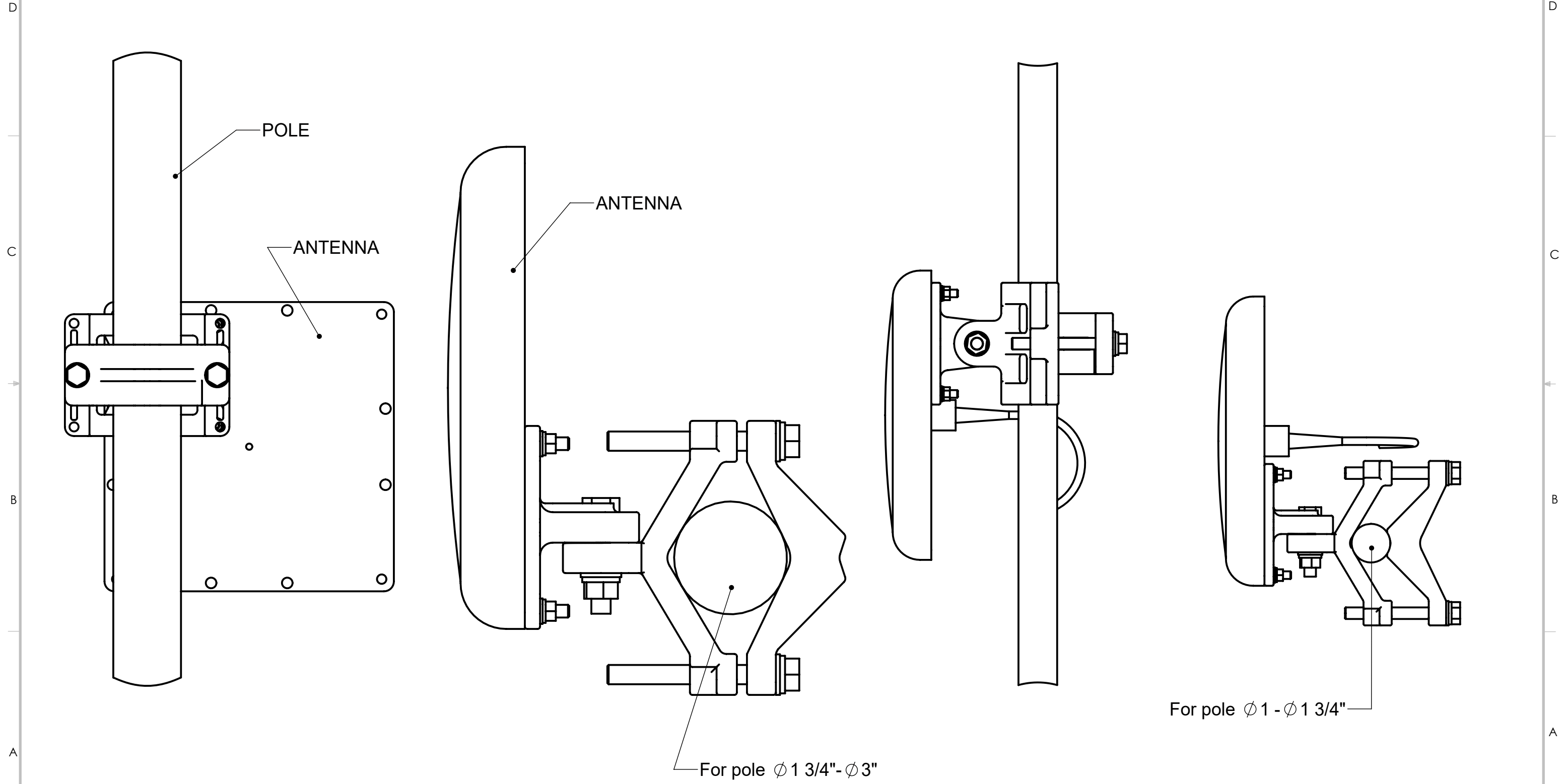
TITLE: **POLE/WALL MOUNTING KIT MT-120018/A WITH ANTENNA ICD**

SIZE: **A3** DWG NO: **RD41182400C**

SCALE: **1:2.5** SHEET **1** OF **3**

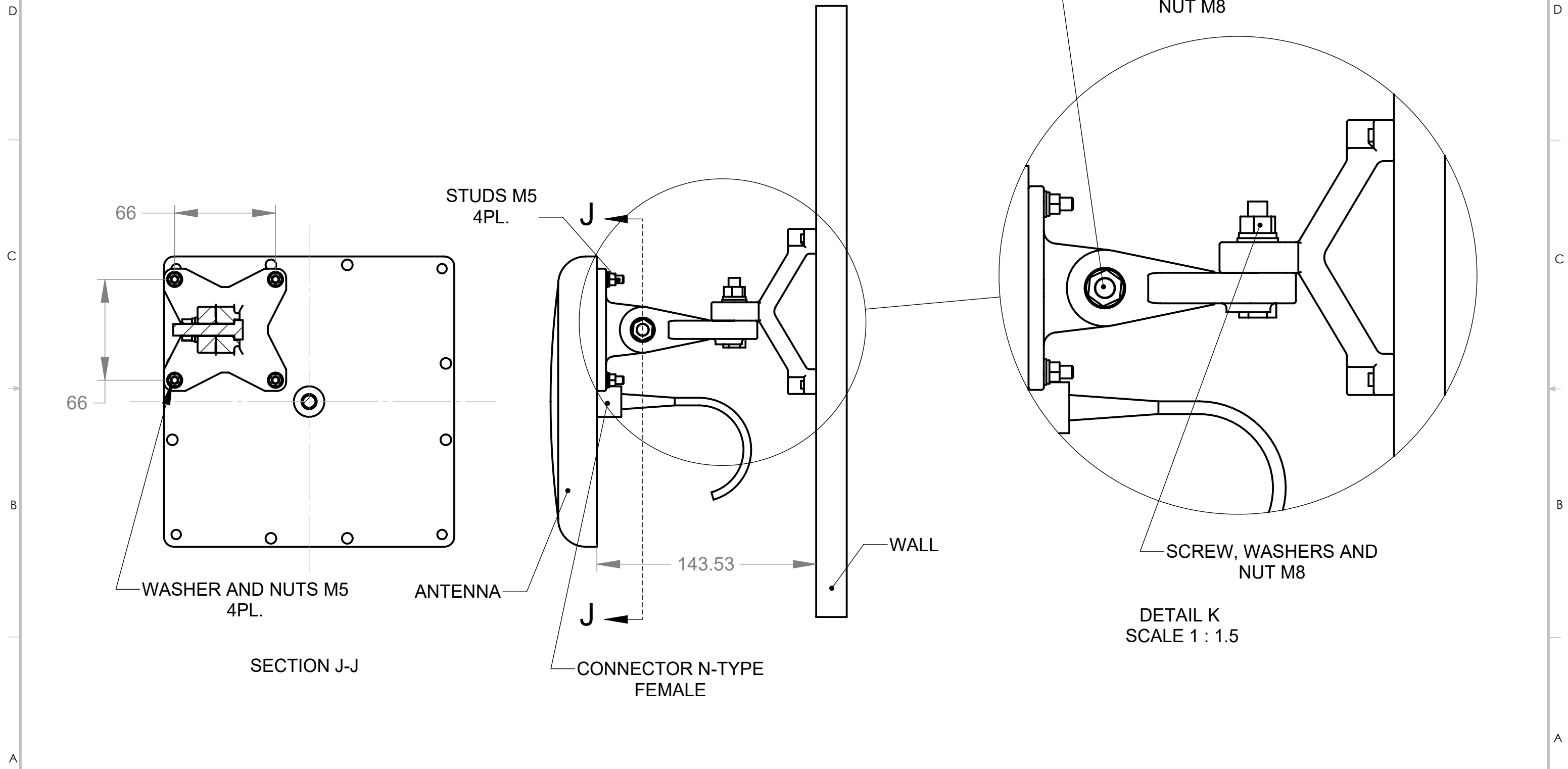
MT-120018/A  
NEXT ASSY

THIS DOCUMENT AND THE INFORMATION CONTAINED IN IT ARE PROPRIETARY AND CONFIDENTIAL TO M.T.I NO PERSON IS ALLOWED TO COPY, REPRINTREPRODUCE OR PUBLISH ANY PART OF THIS DOCUMENT, NOR DISCLOSE ITS CONTENTS TO OTHERS, NOR MAKE ANY USE OF IT, NOR ALLOW OR ASSIST OTHERS TO MAKE ANY USE OF IT - UNLESS BY THE PRIOR WRITTEN EXPRESS AUTHORIZATION OF M.T.I AND THEN ONLY TO EXTENT AUTHORIZED. (C) COPYRIGHT - M.T.I TECHNOLOGY AND ENGINEERING (1993) LTD.



SIZE B	DWG NO RD41182400C	REV D
SCALE 1/2	SHEET 2 OF 3	

THIS DOCUMENT AND THE INFORMATION CONTAINED IN IT ARE PROPRIETARY AND CONFIDENTIAL TO M.T.I NO PERSON IS ALLOWED TO COPY, REPRINTREPRODUCE OR PUBLISH ANY PART OF THIS DOCUMENT, NOR DISCLOSE ITS CONTENTS TO OTHERS, NOR MAKE ANY USE OF IT, NOR ALLOW OR ASSIST OTHERS TO MAKE ANY USE OF IT - UNLESS BY THE PRIOR WRITTEN EXPRESS AUTHORIZATION OF M.T.I AND THEN ONLY TO EXTENT AUTHORIZED. (C) COPYRIGHT - M.T.I TECHNOLOGY AND ENGINEERING (1993) LTD.



SIZE B	DWG NO RD41182400C	REV D
SCALE 1/2.5	SHEET 3 OF 3	