

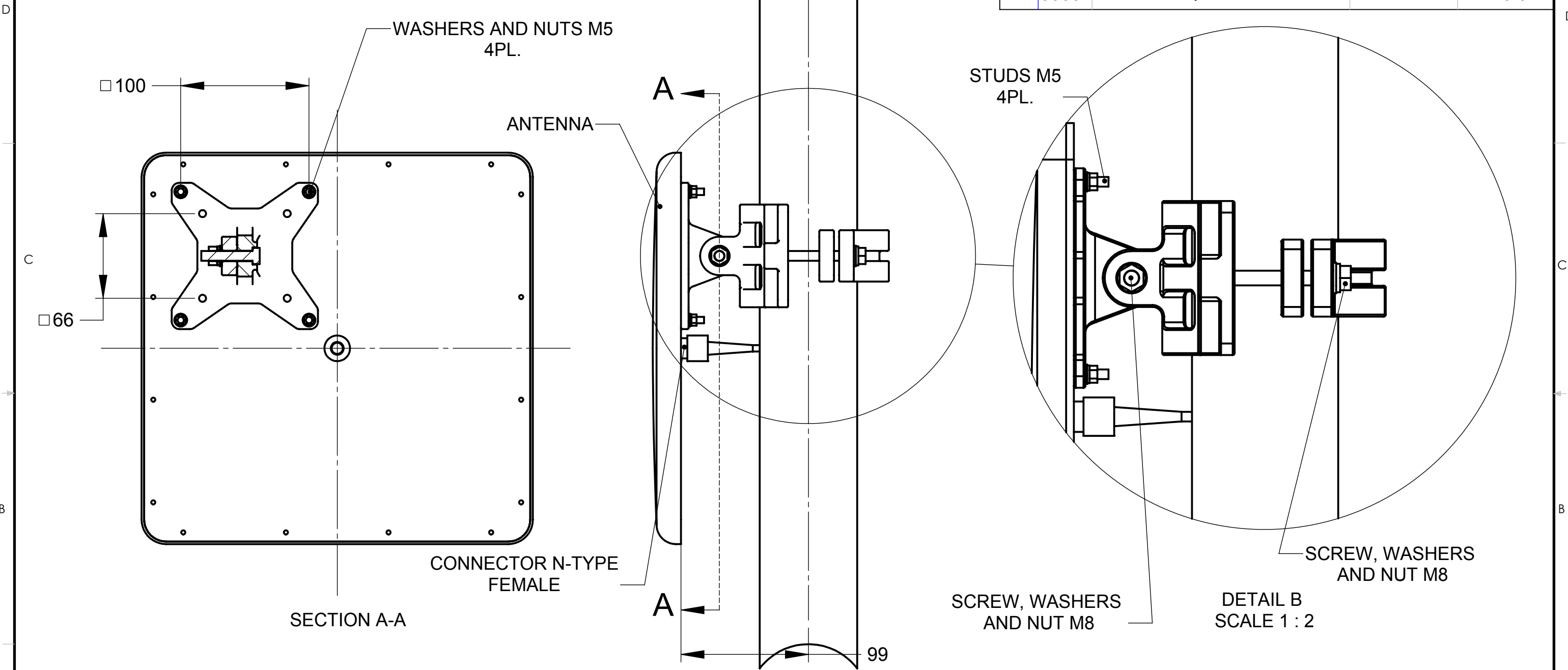
THIS DOCUMENT AND THE INFORMATION CONTAINED IN IT ARE PROPRIETARY AND CONFIDENTIAL TO M.T.I. NO PERSON IS ALLOWED TO COPY, REPRINT, REPRODUCE OR PUBLISH ANY PART OF THIS DOCUMENT, NOR DISCLOSE ITS CONTENTS TO OTHERS, NOR MAKE ANY USE OF IT, NOR ALLOW OR ASSIST OTHERS TO MAKE ANY USE OF IT - UNLESS BY THE PRIOR WRITTEN EXPRESS AUTHORIZATION OF M.T.I. AND THEN ONLY TO EXTENT AUTHORIZED. (C) COPYRIGHT - M.T.I. WIRELESS EDGE LTD.

SHEET REVISION STATUS

5	4	3	2	1
		D	D	D

SHEET NO
LATEST REV
POLE
 $\phi 1 \frac{3}{4}'' - \phi 3$

REV	ECO	REVISION RECORD	APVD	DATE
A	CT39	RELEASED	Yael H.	30.7.02
B	00183	הוספת שיניים לחלק	Yael H.	31.8.03
C	00498	סגירה עם מפתח אחד	Yael H.	8.3.04
D	00667	הוספת חיזוקים	Yael H.	24.10.04



UNLESS OTHERWISE SPECIFIED
DIMENSIONS ARE IN mm
PER ANSI Y14.5M-1982

TOLERANCE	
LINEAR	ANGULAR
± 0.2	\pm / \circ



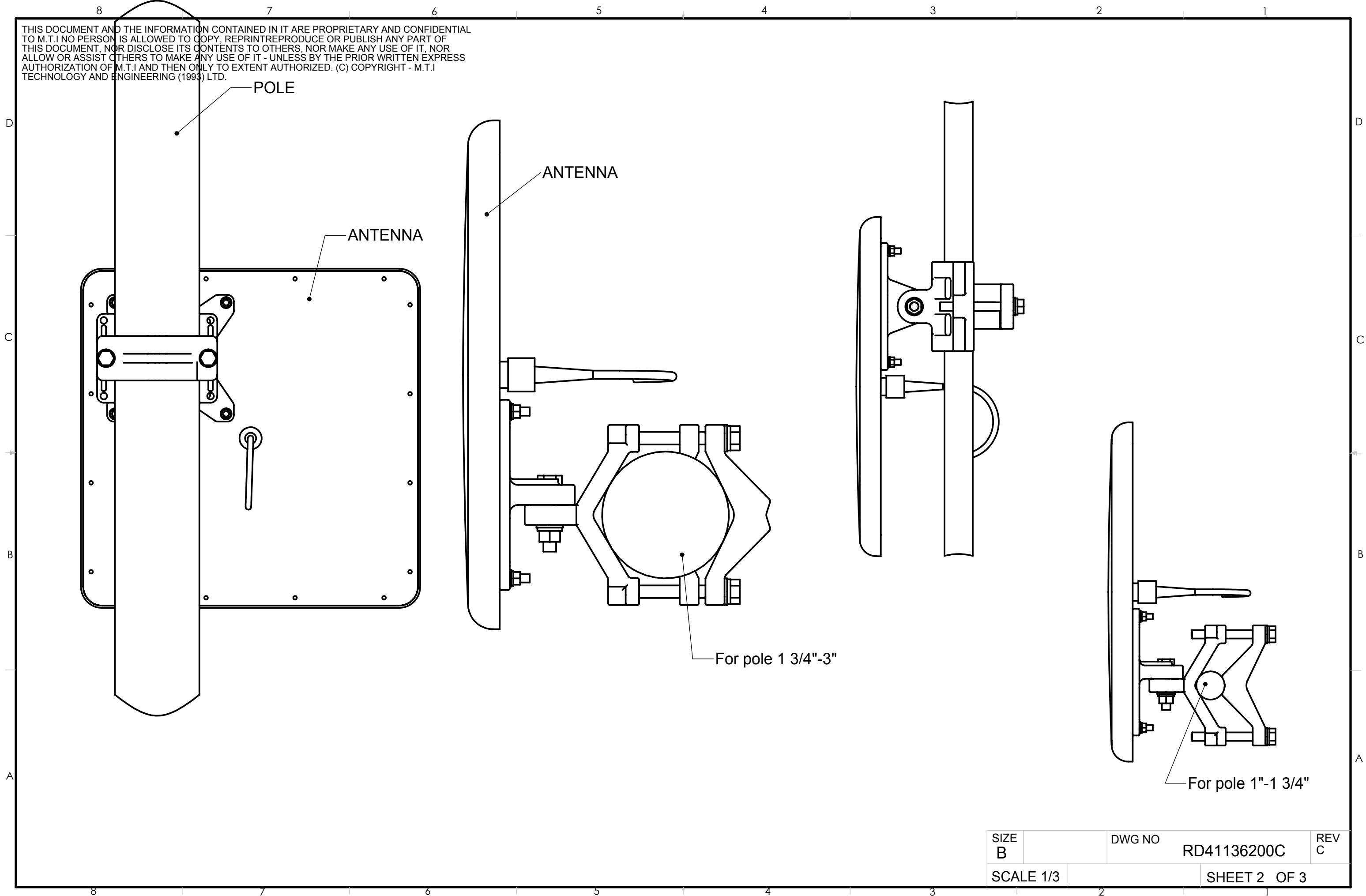
SURFACE TEXTURE IN MICRO IN. QA

CONTRACT TO			
DWG	Yael	Yael	28.7.02
CHKD	GILLER	H.G	28.7.02
DSGN	ROSTMY	M.R	29.7.02
PROJ	ROSTMY	M.R	29.7.02
MFG			
QA	MOTOVICH	MOTI	29.7.02

Mti WIRELESS EDGE LTD.
TITLE POLE/WALL MOUNTING KIT
MT-120018 WITH ANTENNA ICD
SIZE A3 DWG NO RD41136200C
SCALE- 1:3 SHEET 1 OF 3

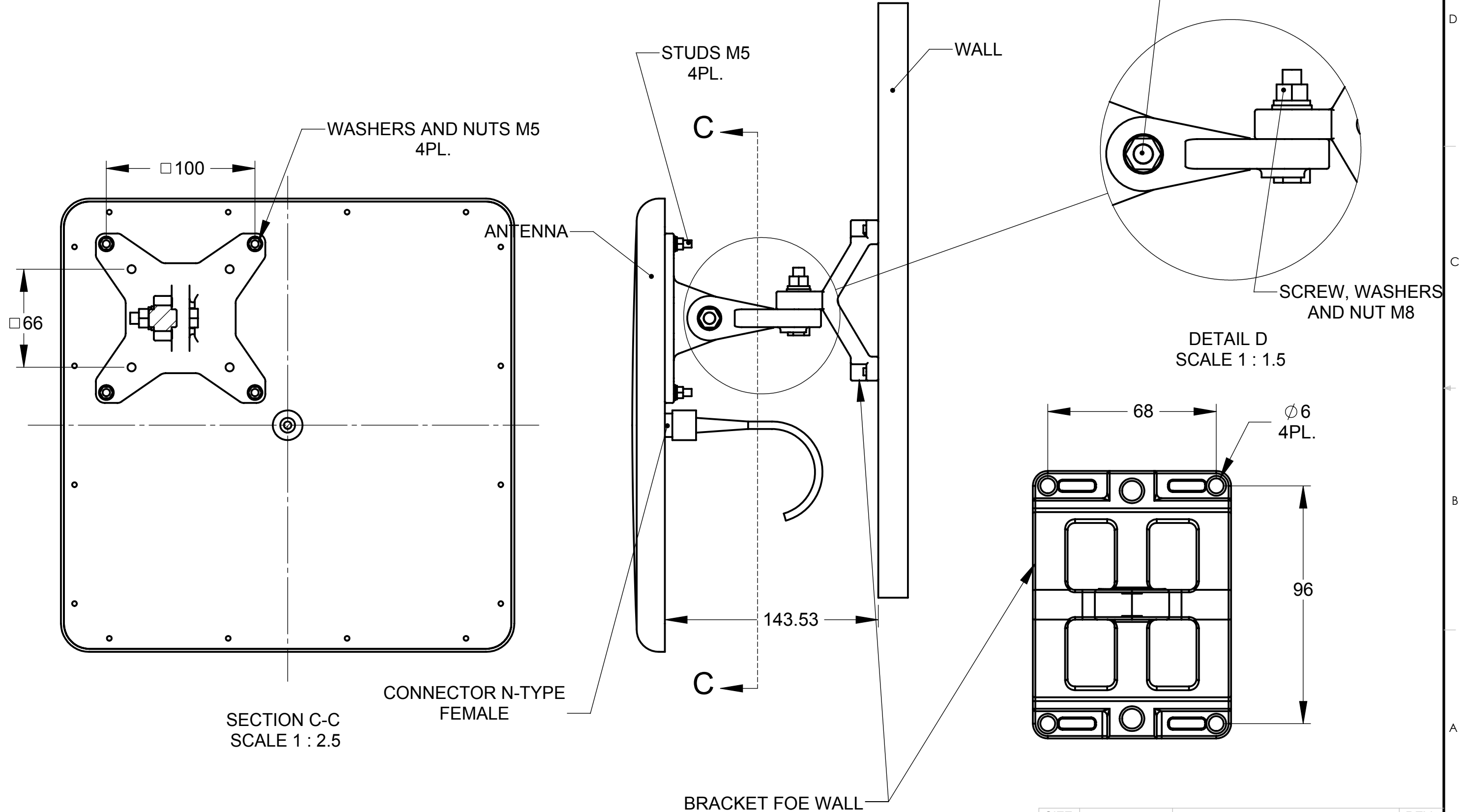
MT-120018
NEXT ASSY

THIS DOCUMENT AND THE INFORMATION CONTAINED IN IT ARE PROPRIETARY AND CONFIDENTIAL TO M.T.I NO PERSON IS ALLOWED TO COPY, REPRINT, REPRODUCE OR PUBLISH ANY PART OF THIS DOCUMENT, NOR DISCLOSE ITS CONTENTS TO OTHERS, NOR MAKE ANY USE OF IT, NOR ALLOW OR ASSIST OTHERS TO MAKE ANY USE OF IT - UNLESS BY THE PRIOR WRITTEN EXPRESS AUTHORIZATION OF M.T.I AND THEN ONLY TO EXTENT AUTHORIZED. (C) COPYRIGHT - M.T.I TECHNOLOGY AND ENGINEERING (1993) LTD.



SIZE B	DWG NO RD41136200C	REV C
SCALE 1/3	SHEET 2 OF 3	

THIS DOCUMENT AND THE INFORMATION CONTAINED IN IT ARE PROPRIETARY AND CONFIDENTIAL TO M.T.I NO PERSON IS ALLOWED TO COPY, REPRINT, REPRODUCE OR PUBLISH ANY PART OF THIS DOCUMENT, NOR DISCLOSE ITS CONTENTS TO OTHERS, NOR MAKE ANY USE OF IT, NOR ALLOW OR ASSIST OTHERS TO MAKE ANY USE OF IT - UNLESS BY THE PRIOR WRITTEN EXPRESS AUTHORIZATION OF M.T.I AND THEN ONLY TO EXTENT AUTHORIZED. (C) COPYRIGHT - M.T.I TECHNOLOGY AND ENGINEERING (1993) LTD.



SIZE B	DWG NO RD41136200C	REV C
SCALE 1/3	SHEET 3 OF 3	