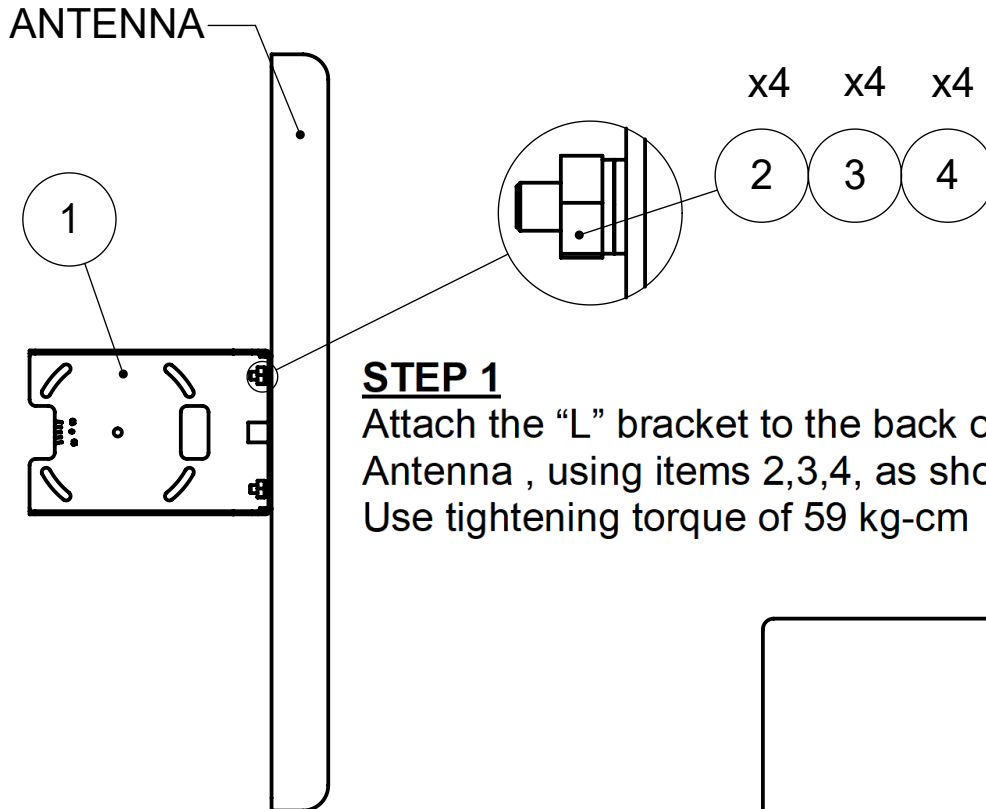
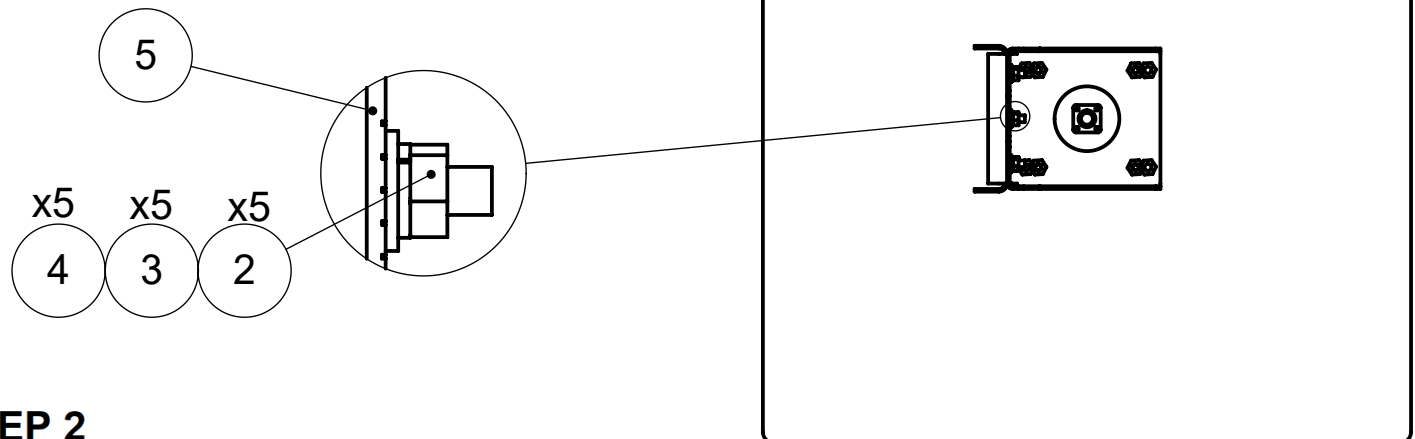


Installation Instructions for MT-120019



STEP 1

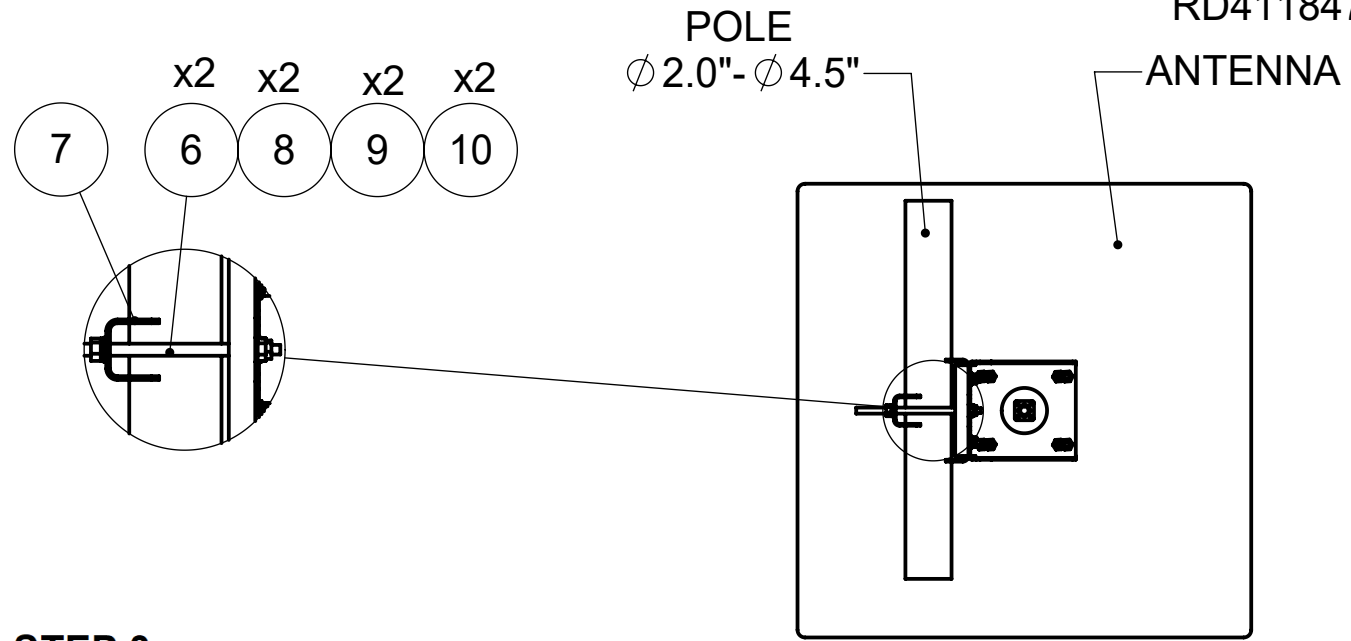
Attach the "L" bracket to the back of the Antenna , using items 2,3,4, as shown .
Use tightening torque of 59 kg-cm



STEP 2

Attach the grooved bracket to the "L" Bracket using items 5,2,3,4 as shown .
do not fasten the screws!

Sheet 1 of 2

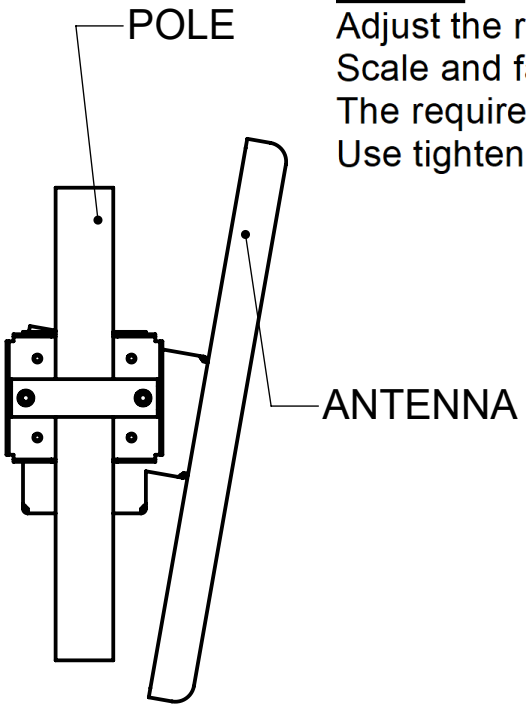


STEP 3

Tighten the antenna to the pole, using Items 7,6,8,9,10 as shown .
Use tightening torque of 76 kg-cm .

STEP 4

Adjust the required tilt using the angular Scale and fasten all screws and nuts at The required position.
Use tightening torque of 68 kg-cm .



Installation Kit

ITEM	DESCRIPTION	QTY
1	ELEVATION BRACKET	1
2	WASHER FLAT 1/4"	9
3	WASHER SPRING 1/4"	9
4	NUT 1/4"	9
5	POLE BRACKET MECH ASSY	1
6	BOLT CARRIAGE 5/16"x7" STEEL	2
7	U BRACKET	1
8	WASHER FLAT 5/16" STEEL	2
9	WASHER SPRING 5/16" STEEL	2
10	NUT HEX 5/16" STEEL	2

The installation, dismantling, maintenance and inspection of MTI antenna system and mounting brackets require professional personnel. These installation instructions are written for this personnel. After the installation, the antenna system should go through periodical inspection at least once a year and maintenance to verify proper condition of the antenna system by qualified personnel. MTI will not be liable to any failure, damage, safety or other problem results due to a failure to follow these instructions, misuse or improper handling.