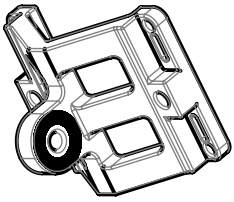
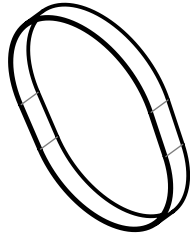


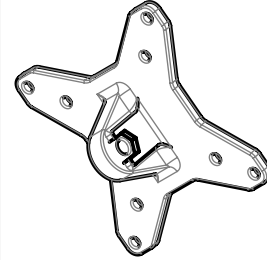
Installation Instructions for MT-120021 and MT-120021/A



Item: 1
Pole bracket
Qty: 2



Item: 2
Pole band
Qty: 4



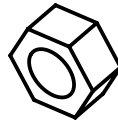
Item: 3
Antenna base
bracket
Qty: 2



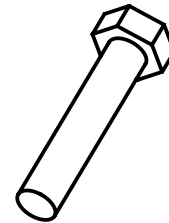
Item: 4
Washer flat M5
Qty: 8



Item: 5
Washer spring M5
Qty: 8



Item: 6
Nut M5
Qty: 8



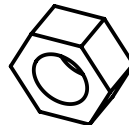
Item: 7
Bolt M8x40
Qty: 3



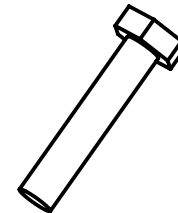
Item: 8
Washer flat M8
Qty: 3



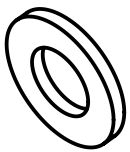
Item: 9
Washer spring M8
Qty: 3



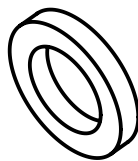
Item: 10
Nut M8
Qty: 3



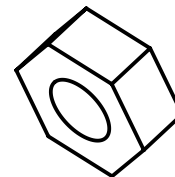
Item: 11
Bolt M10x50
Qty: 1



Item: 12
Washer flat M10
Qty: 1

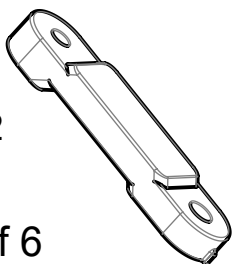


Item: 13
Washer spring M10
Qty: 1

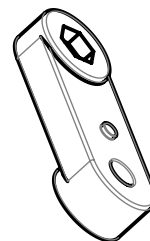


Item: 14
Nut M10
Qty: 1

Item: 15
Arm bracket 2
Qty: 1



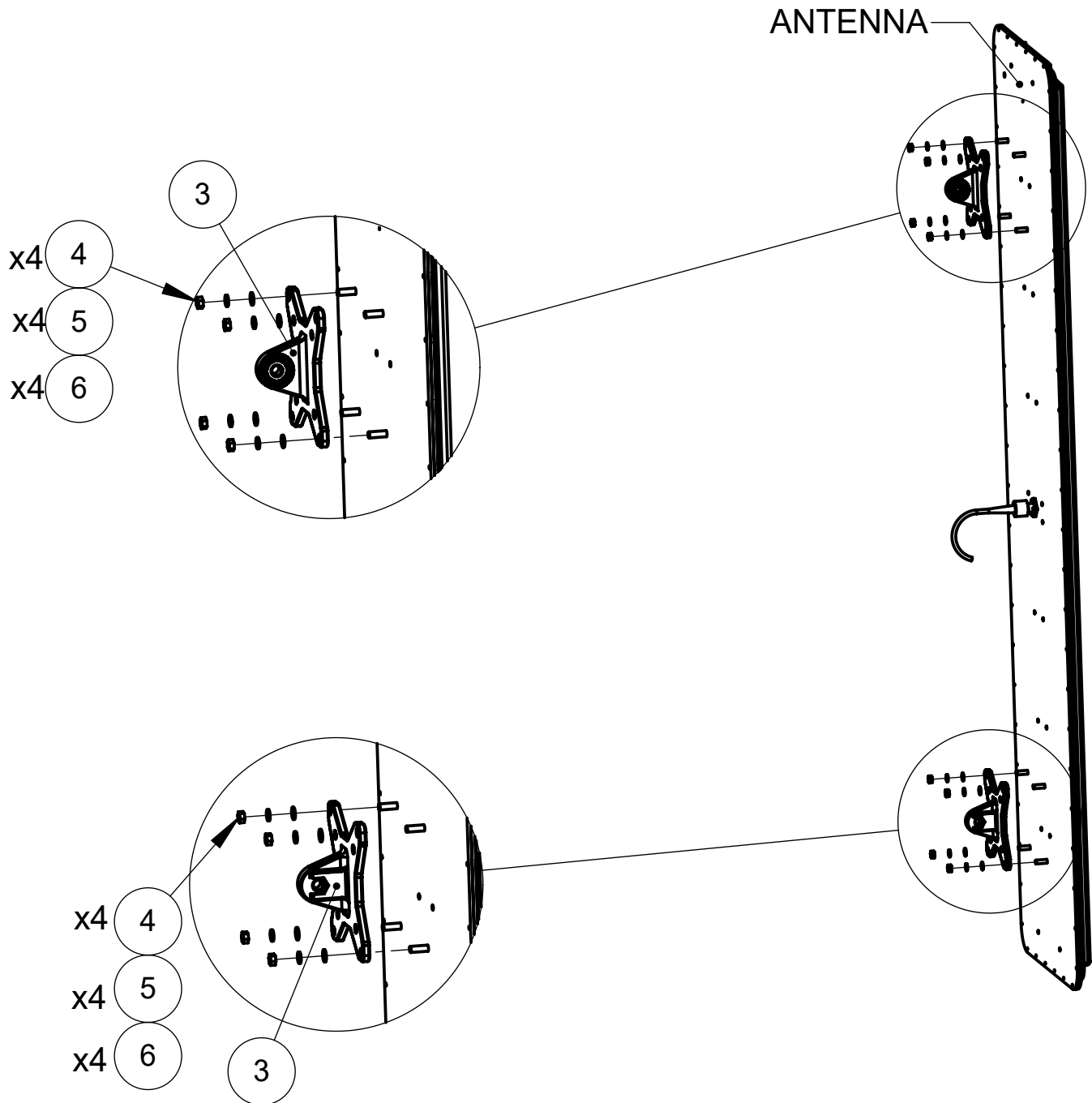
Item: 16
Arm bracket 1
Qty: 1



Item: 17
Dial
Qty: 1

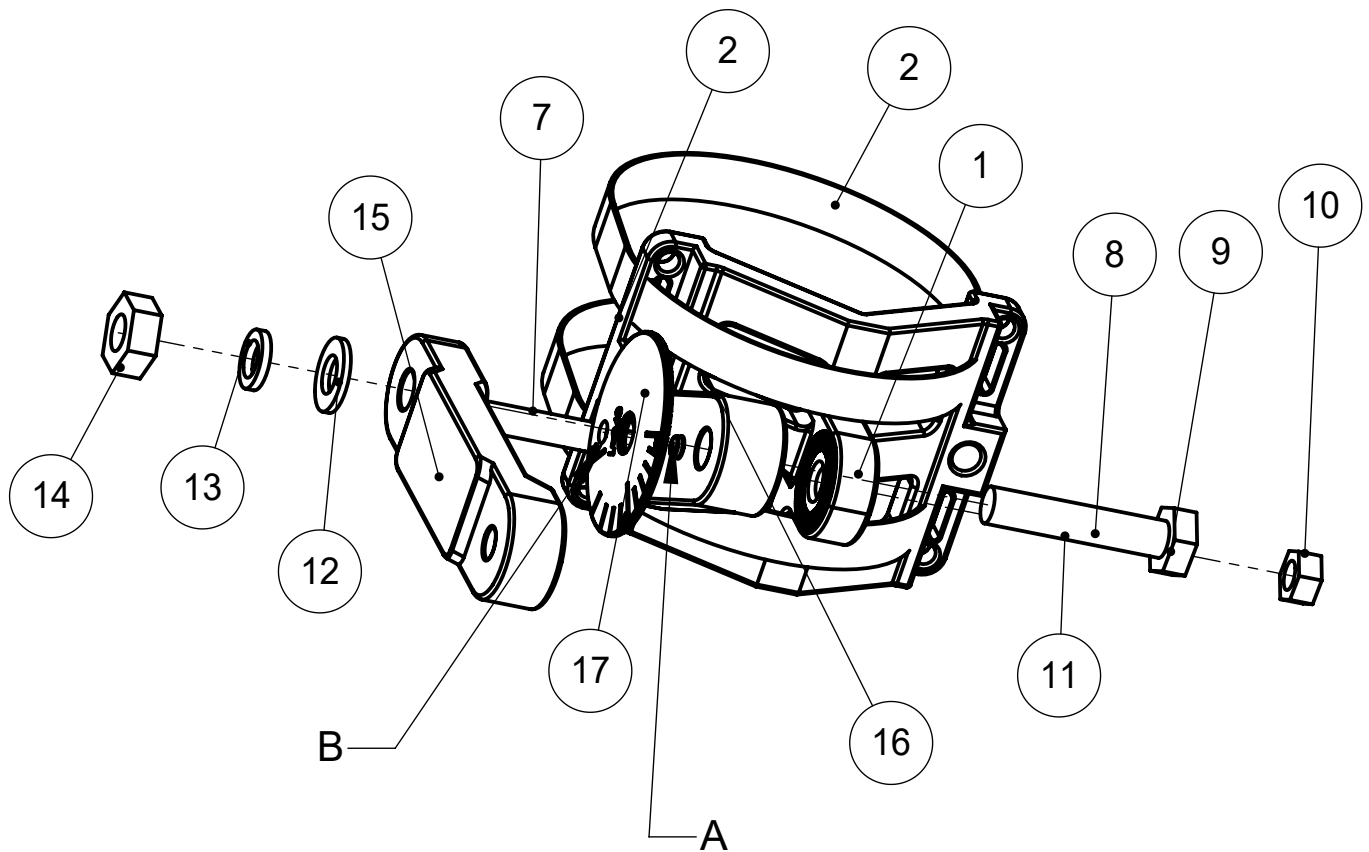


Sheet 1 of 6



STEP 1

Attach items 3 to the back of antenna using hardware items 4 ,5 and 6 as shown.



STEP 2

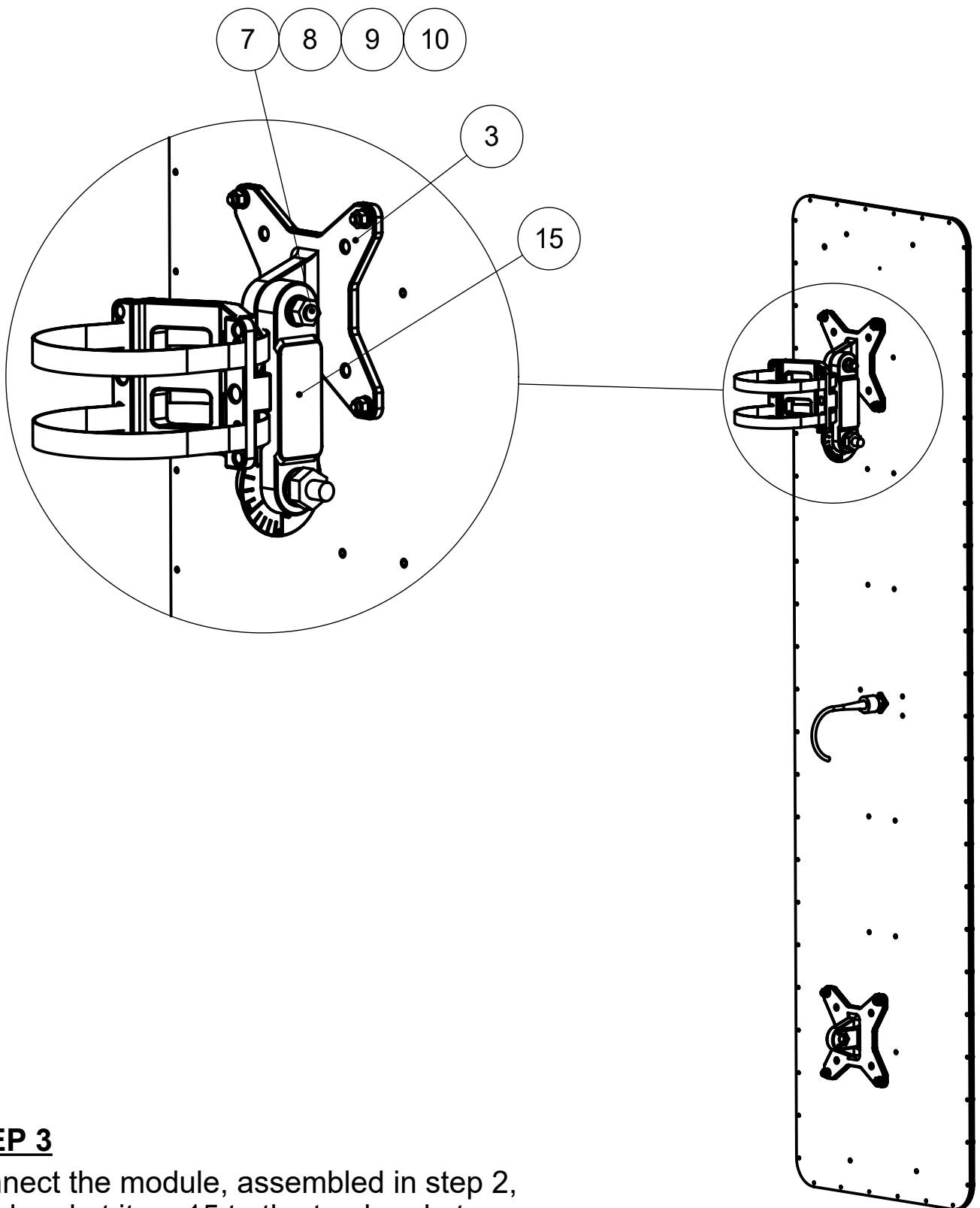
Insert 2 bands, item 2 , into part 1 as shown.

Do not fasten the bands.

Connect bracket item 16 to clamp item 1 using hardware items 7, 8, 9 and 10. do not tighten the nut.

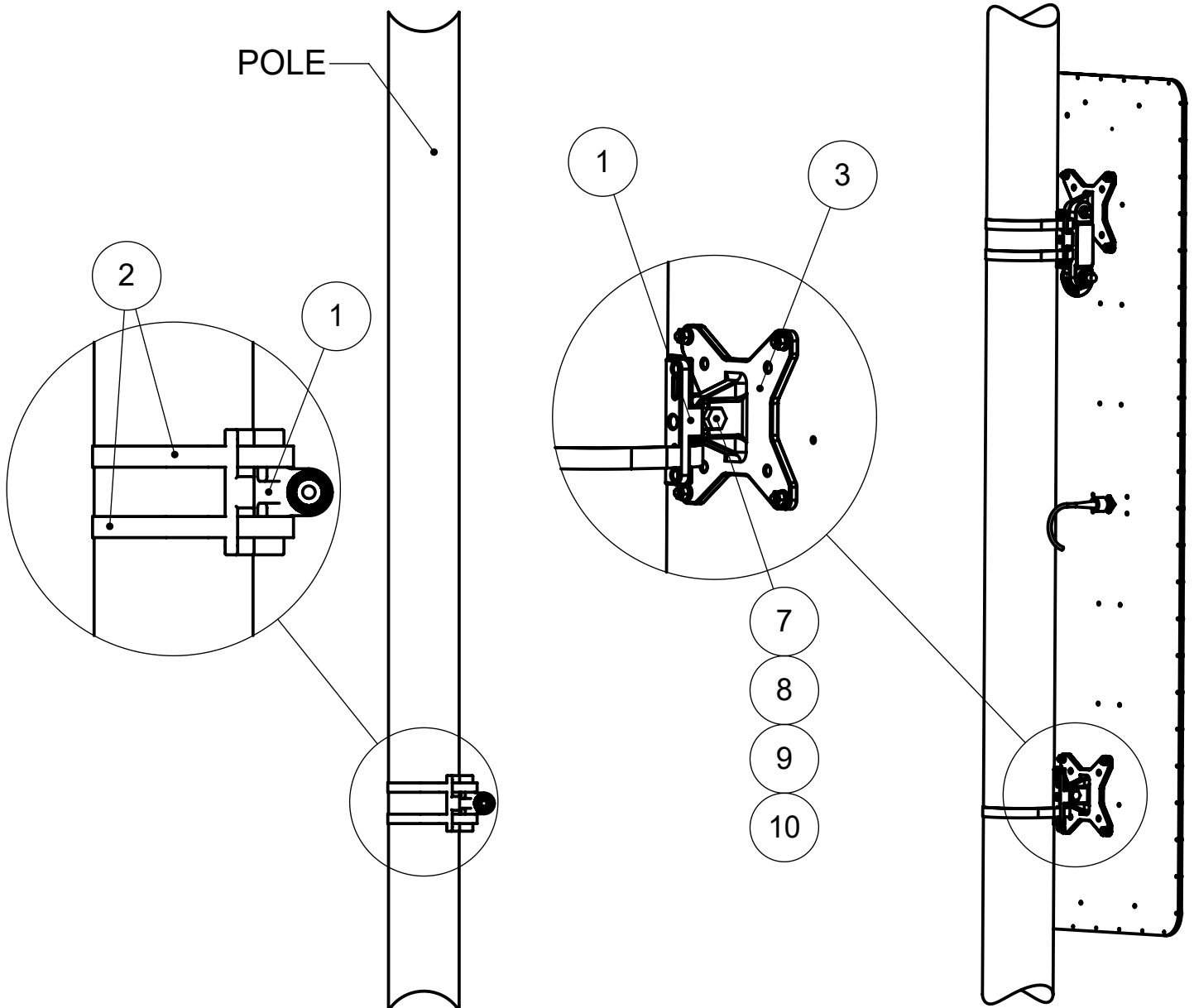
Connect dial item 17 and bracket item 15, as shown, using hardware items 11, 12, 13 and 14 .

Do not tighten the nut.

**STEP 3**

Connect the module, assembled in step 2, with bracket item 15 to the top bracket item 3 on the antenna, as shown, using hardware items 7, 8, 9 and 10.

Do not tighten the nut.

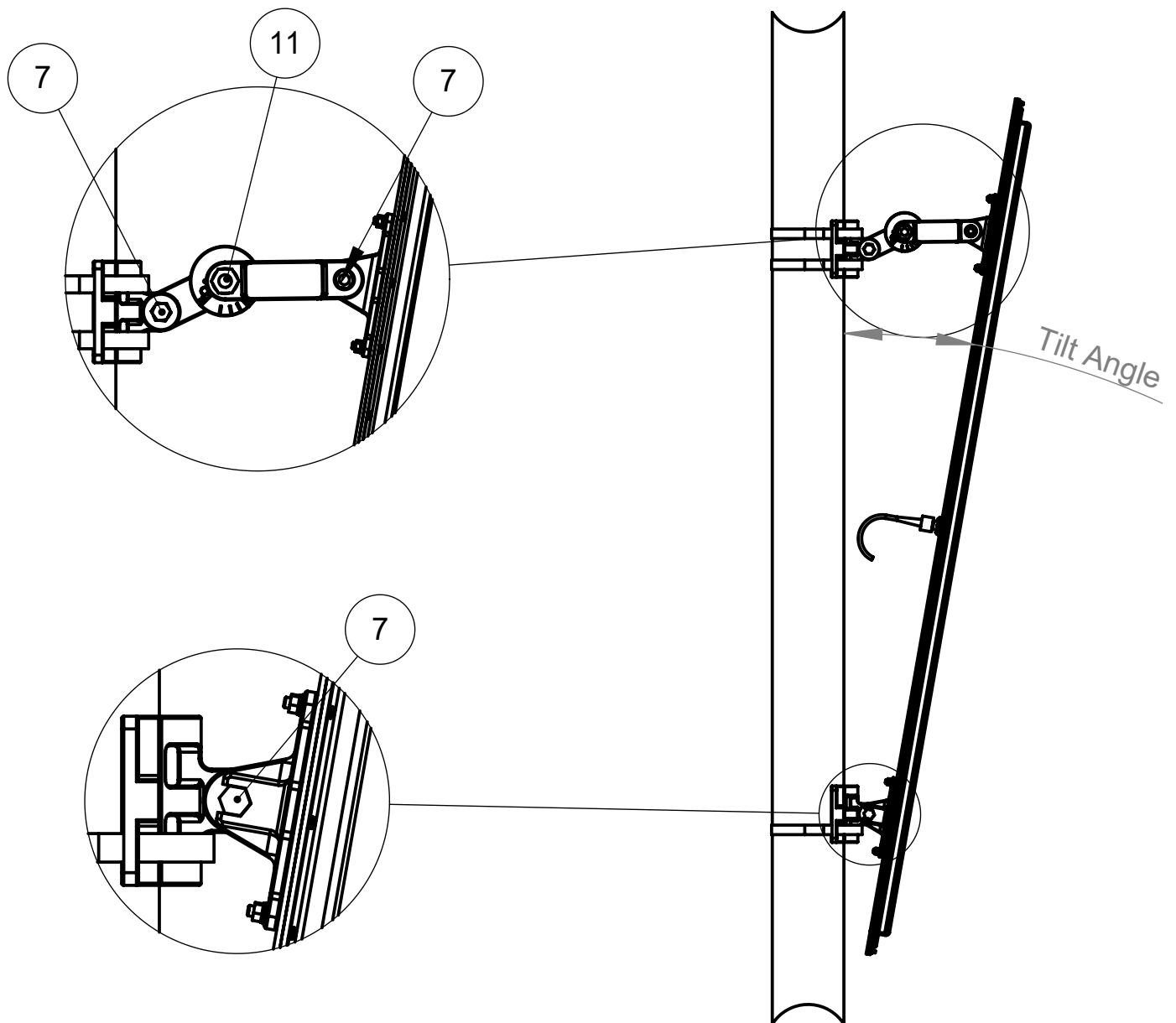
**STEP 4**

Connect bracket item 1 to pole using bands item 2. Use tightening torque of 7Nm.

STEP 5

Connect bottom bracket item 3 on antenna to bracket 1 on pole using hardware items 7, 8, 9 and 10. Do not tighten the nut.

Connect the top part of antenna to pole by tightening the two bands items 2 around the pole. Use tightening torque of 7Nm

**STEP 6**

Align the antenna tilt by stretching the top mount and reading the angle on the "dial", item 17 .
Tighten bolts item 7 with torque of 24Nm,
bolt item 11 with torque of 50Nm .