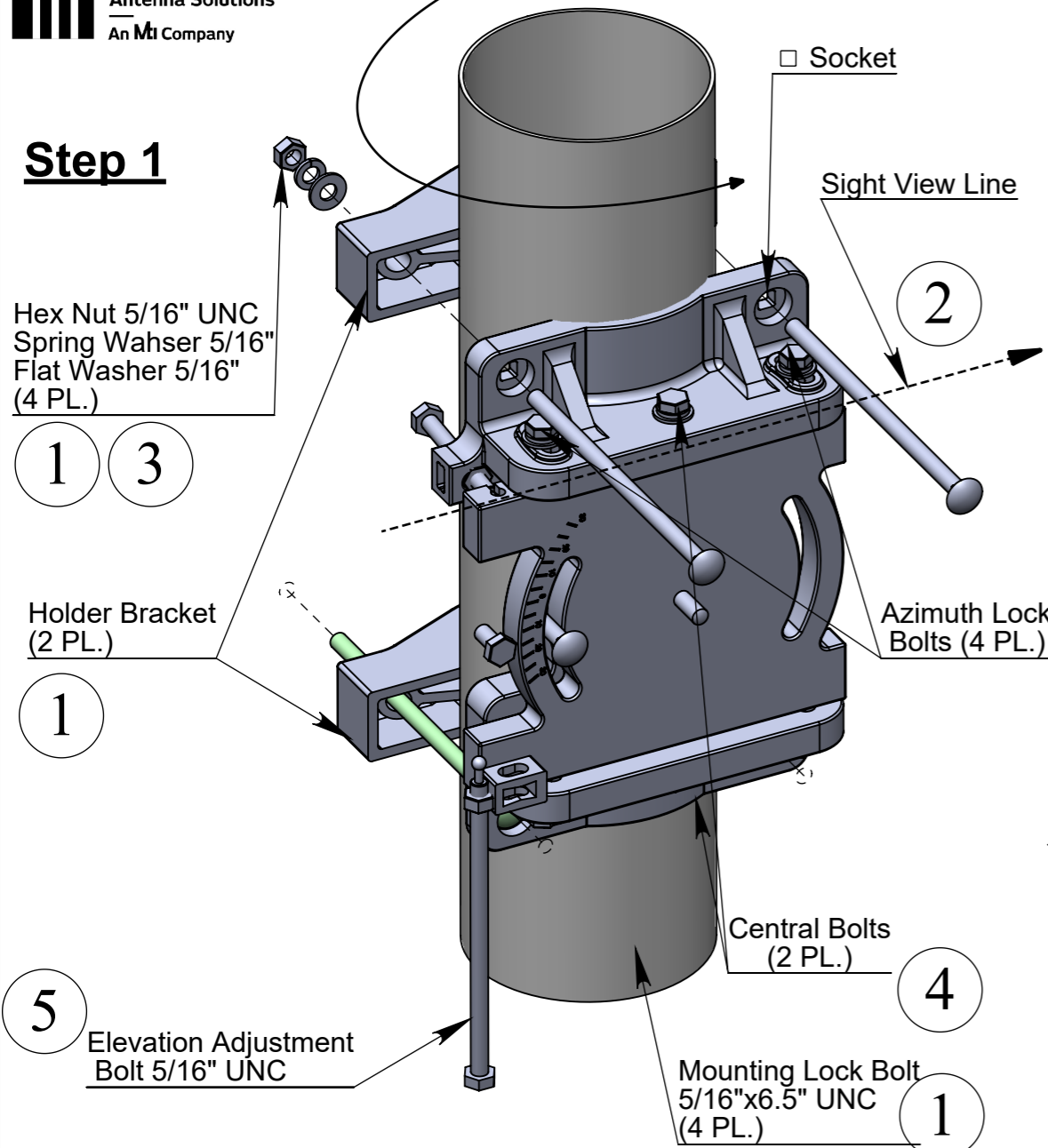


Installation Instructions for Mounting Kit

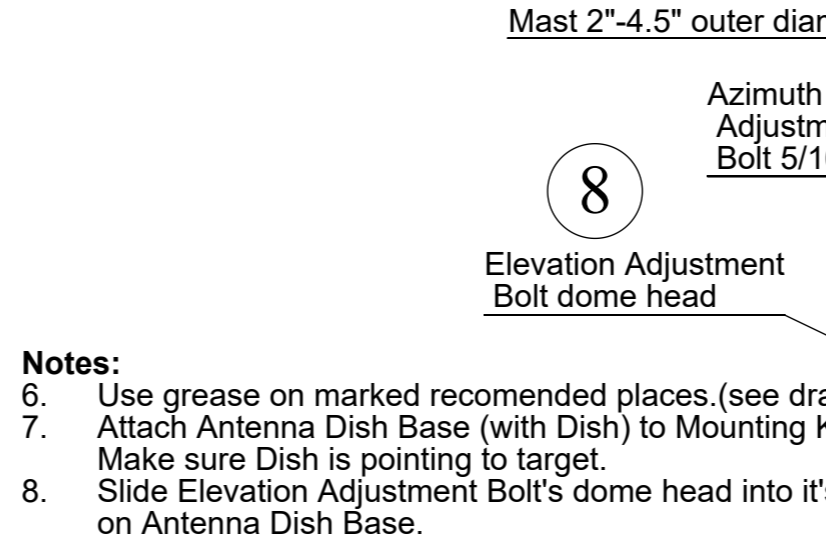
Step 1



- Notes:**
- Put Mounting Lock Bolts (4 PL) to its sockets, attach to the mast and assemble Holder Brackets (2 PL) on the Bolts. Put the nuts & washers (4 PL) on the Bolts without fastening.
 - Roughly aim the Mounting Kit with the Sight view line towards the target.
 - Use tightening torque of **16 Nm** on the Nuts of Mounting Lock Bolts (4 PL) with 1/2" open end, or deep socket wrench. Tool's length should not exceed 20cm. Make sure that the nuts are fastened simultaneously and by symmetrical force
 - Use initial tightening torque of 10 Nm** on Central Bolts (2 PL) and Azimuth Lock Bolts (4 PL). use 1/2" open end, or deep socket wrench.
 - Screw the Elevation Adjustment Bolt to its position shown on the drawing.

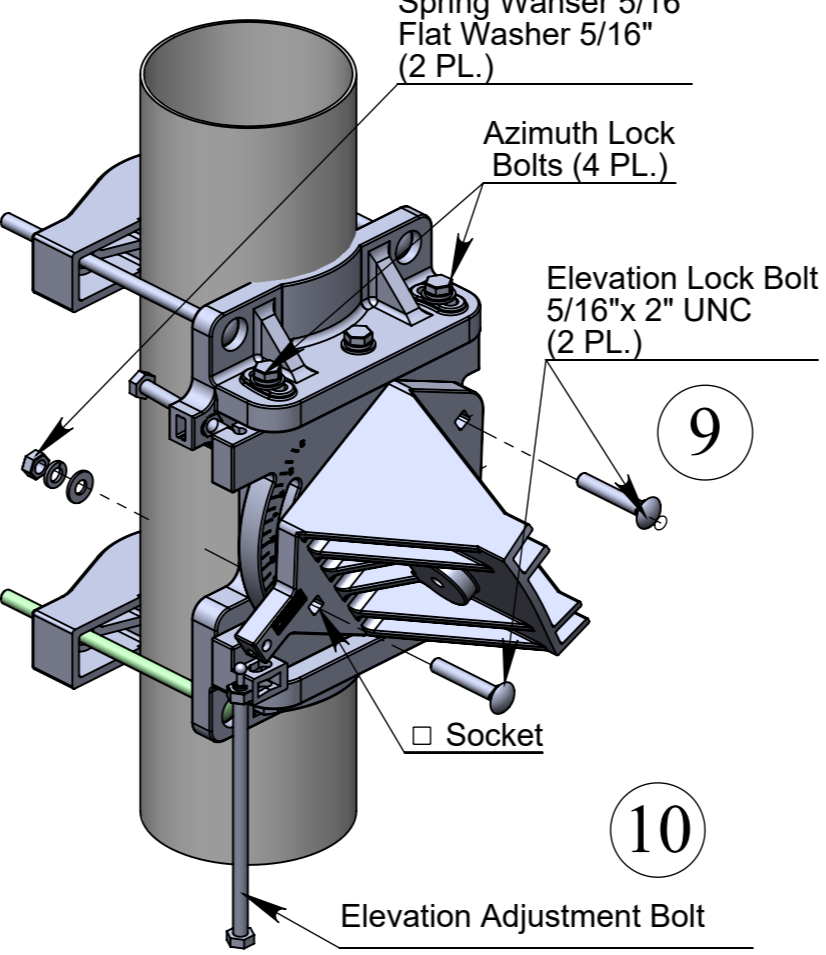
Important: Do not fully tighten Azimuth/Elevation Lock Bolts before Azimuth/Elevation Adjustment Bolt is in its final position

Step 2



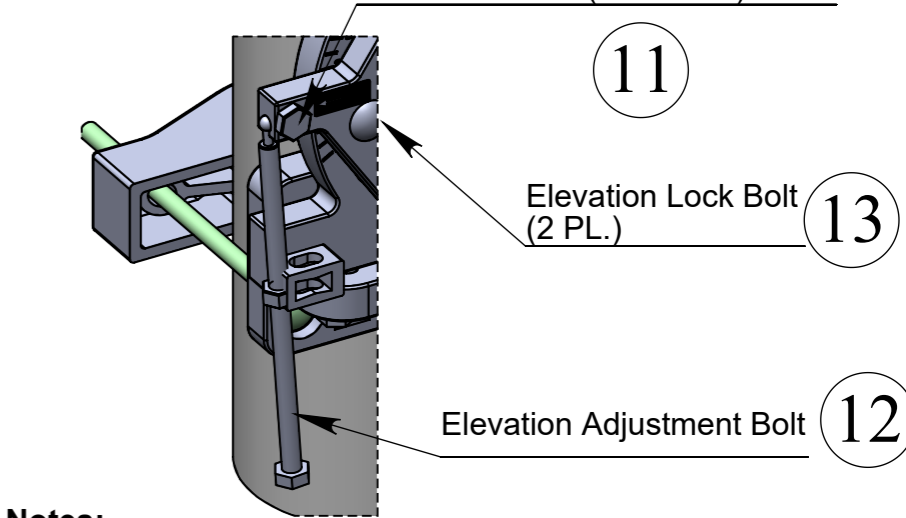
- Notes:**
- Use grease on marked recommended places. (see drawing)
 - Attach Antenna Dish Base (with Dish) to Mounting Kit Pin. Make sure Dish is pointing to target.
 - Slide Elevation Adjustment Bolt's dome head into it's slot on Antenna Dish Base.

Step 3



- Notes:**
- Put Elevation Lock Bolts (2 PL) into their sockets and lock with Nuts & Washers (2 PL) to initial tightening torque of **10 Nm**.
 - Screw Elevation Adjustment Bolt upward up to Antenna horizontal position.

Step 4



- Notes:**
- Screw Joint Lock Bolts lock.
 - At all time, keep Elevation Adjustment Bolt in parallel to the mast.**
 - After fine adjustment, use tightening lock torque of **16 Nm** on Azimuth Lock Bolts (4PL) and on Central Bolts (2 PL). Use tightening lock torque of **16 Nm** on the Nuts of Elevation Lock Bolts (2PL). Use 1/2" open end, or deep socket wrench.
 - After assembly, verify that the drain plug located on the dish **faces up**, and the drain hole faces down
 - Adjustment Bolts (Elevation+Azimuth) must be greased at all time.

A The installation, dismantling, maintenance and inspection of MTI antenna systems and mounting brackets require professional personnel. These installation instructions are written for this personnel. After the installation, the antenna system should go through periodical inspection at least once a year and maintenance to verify proper condition of the antenna system by qualified personnel. MTI will not be liable to any failure, damage, safety or other problem results due to a failure to follow these instructions, misuse or improper handling.