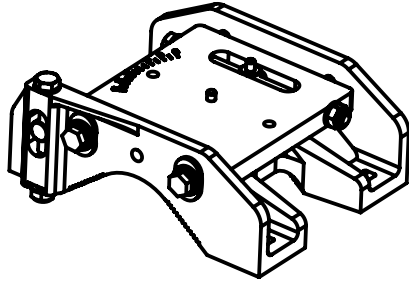




Installation Instructions for MT-120034

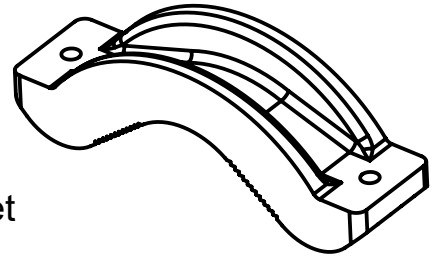
Item 1

M.K - Sub Assy
Qty: 1



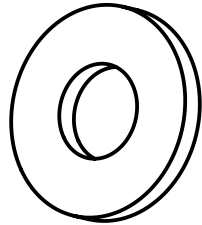
Item 2

Holder Bracket
Qty: 2



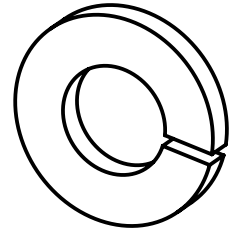
Item 3

Washer Flat M6
Qty: 6



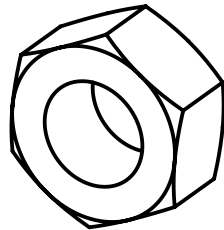
Item 4

Washer Spring M6
Qty: 6



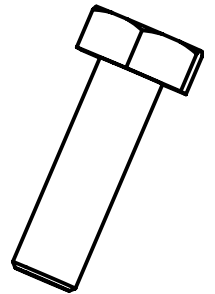
Item 5

Nut M6
Qty: 4



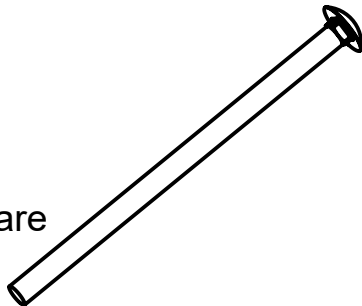
Item 6

Screw Hex Cap M6x20
Qty: 2



Item 7

Bolt Round Head Square
Qty: 4



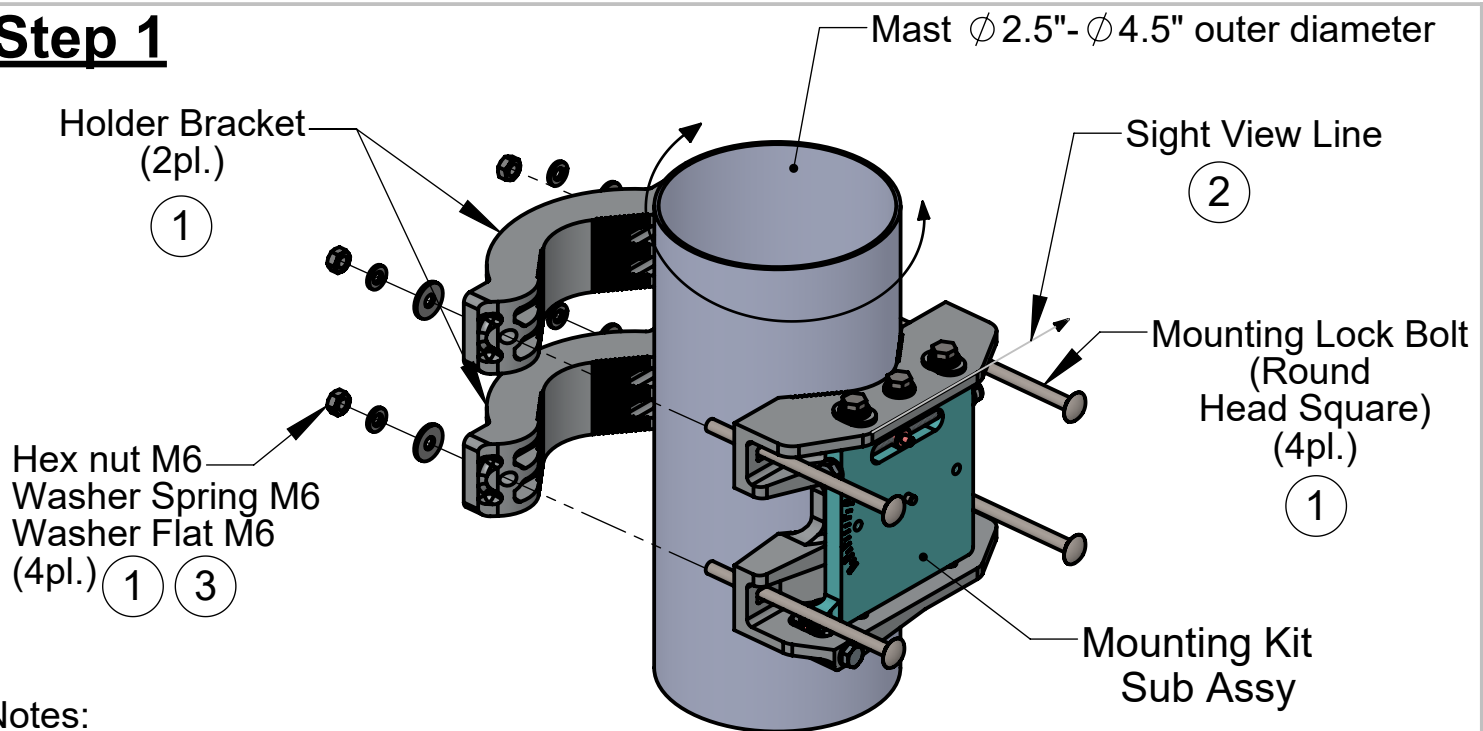
Item 8

Lithium Universal Grease
Qty: 1



The installation, dismantling, maintenance and inspection of MTI antenna system and mounting brackets require professional personnel. These installation instructions are written for this personnel. After the installation, the antenna system should go through periodical inspection at least once a year and maintenance to verify proper condition of the antenna system by qualified personnel. MTI will not be liable to any failure, damage, safety or other problem results due to a failure to follow these instructions, misuse or improper handling.

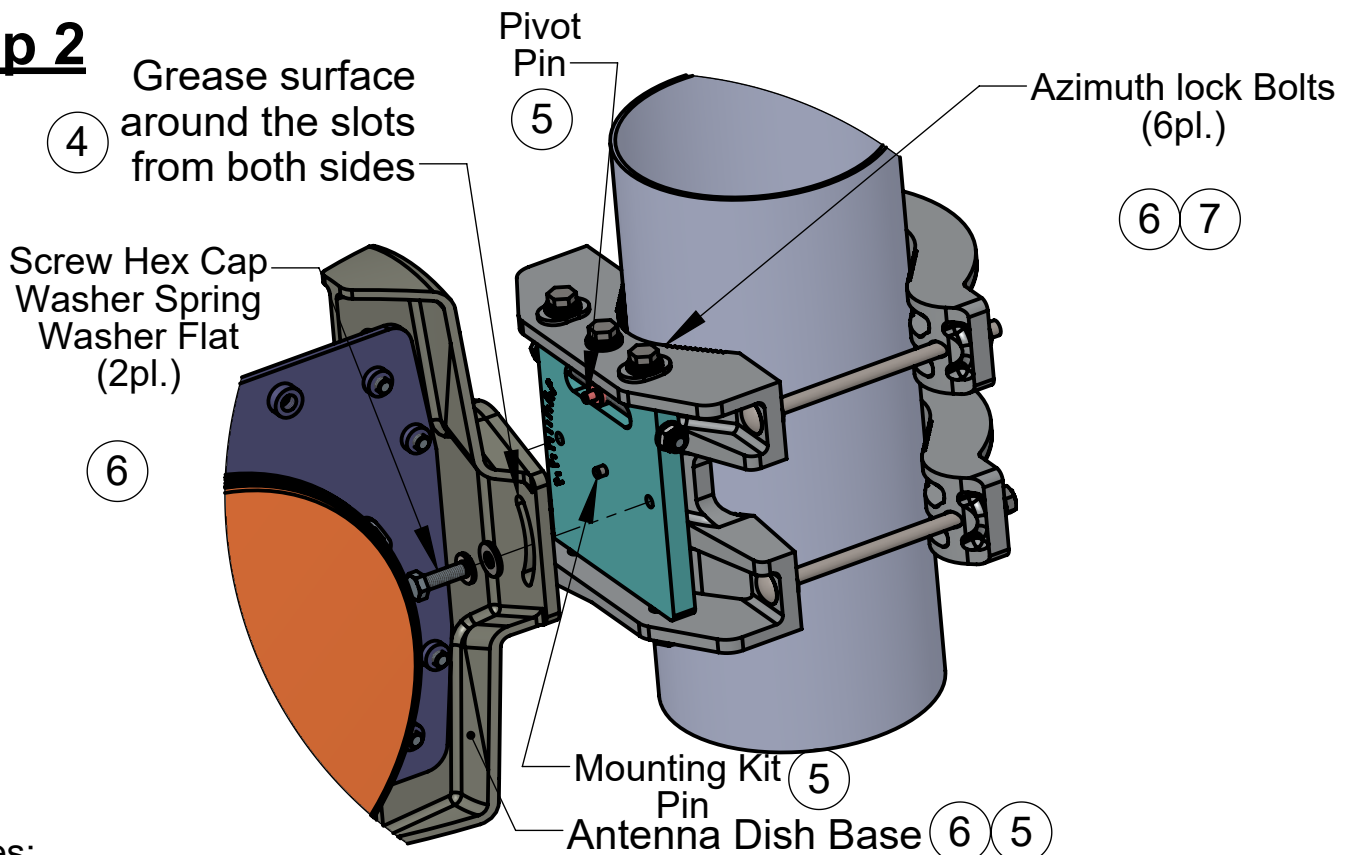
Step 1



Notes:

1. Insert the Mounting Lock Bolts (4pl.) to the sockets, attach to the mast and assemble Holder Brackets (2pl.) on the Bolts. Hand tight the nuts & washers (4pl.) on the Bolts without finally fastening. use #11 open end, or deep socket wrench. Tool's length should not exceed 20cm.
2. Roughly Rotate and aim the Mounting Kit while the Sight view line towards the target.
3. Use tightening Torque of 8Nm on Mounting Lock Bolts Nuts (4pl.)

Step 2



Notes:

4. Use grease on marked recommended places and on Adjustment Bolts (Elevation & Azimuth). (see drawing).
5. Attache Antenna Dish Base to Mounting Kit Pin and Pivot pin.
6. Assembly Bolts and washers (2pl.) to the M.K Sub Assy use tightening torque of 6Nm. make sure azimuth lock bolts (6pl.) fasten with tightening torque of 6Nm.
7. After fine adjustment, use tightening lock torque of 8 Nm on Azimuth Lock Bolts (6pl.) and Elevation Lock Bolts (2pl.). Use #11 open end, or deep socket wrench.
8. Adjustment Bolts (Elevation+Azimuth) must be greased at all time.