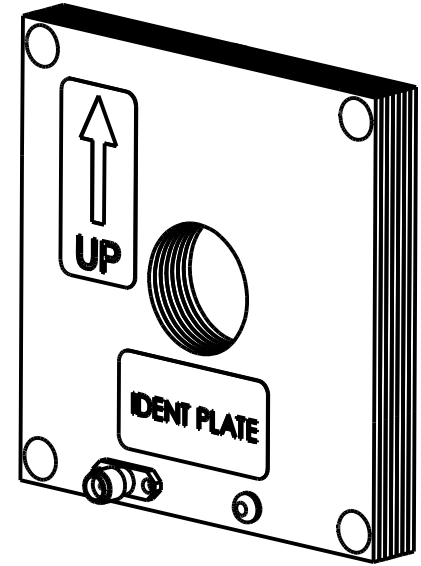
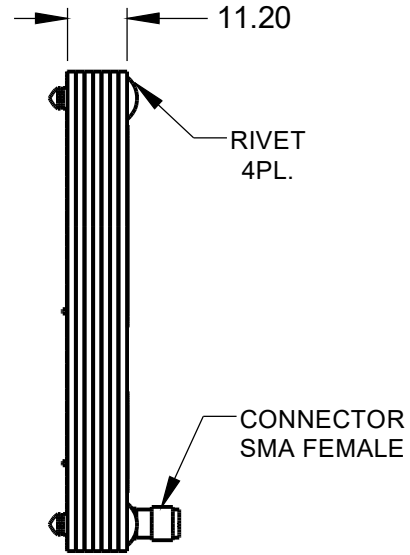
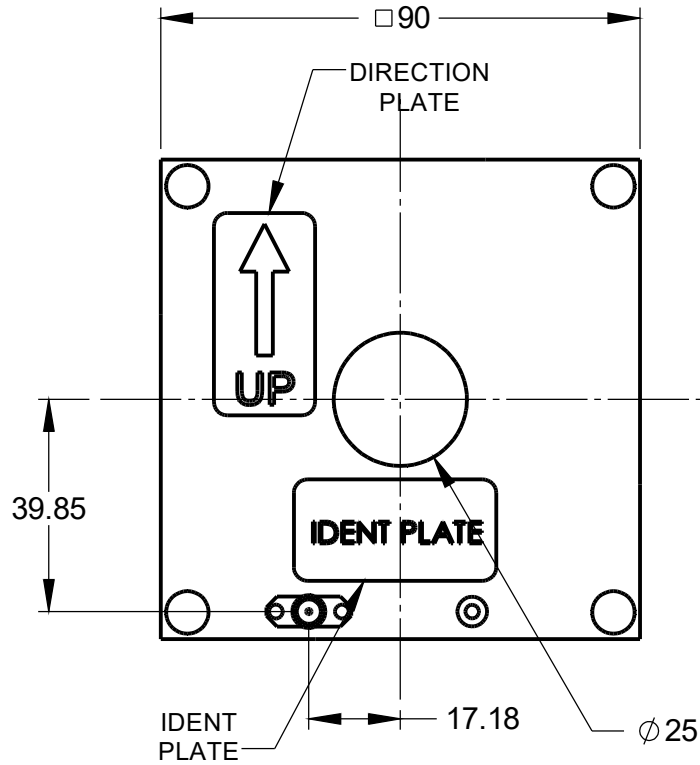


THIS DOCUMENT AND THE INFORMATION CONTAINED IN IT ARE PROPRIETARY AND CONFIDENTIAL TO M.T.I NO PERSON IS ALLOWED TO COPY, REPRINTREPRODUCE OR PUBLISH ANY PART OF THIS DOCUMENT, NOR DISCLOSE ITS CONTENTS TO OTHERS, NOR MAKE ANY USE OF IT, NOR ALLOW OR ASSIST OTHERS TO MAKE ANY USE OF IT - UNLESS BY THE PRIOR WRITTEN EXPRESS AUTHORIZATION OF M.T.I AND THEN ONLY TO EXTENT AUTHORIZED. (C) COPYRIGHT - M.T.I WIRELESS EDGE LTD.

SHEET REVISION STATUS					
5	4	3	2	1	SHEET NO
					LATEST REV

DESCRIPTION				
REV	ECO	REVISION RECORD	APVD	DATE



MT-241024/SLH
NEXT ASSY

UNLESS OTHERWISE SPECIFIED
DIMENSIONS ARE IN mm
PER ANSI Y14.5M-1982

TOLERANCE	
LINEAR	ANGULAR
±0.2	±/°



CONTRACT TO

DWG			
CHKD			
DSGN			
PROJ			
MFG			
QA			

Mti WIRELESS EDGE LTD.

TITLE ANTENNA 902-928MHz
MT-241024/SLH ICD

SIZE A3	DWG NO RD42723900C	
SCALE- 1:1		SHEET 1 OF 1