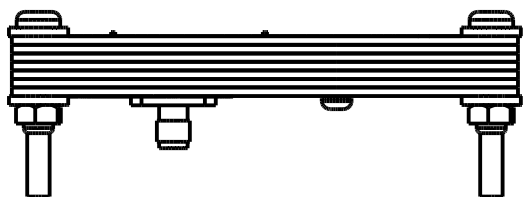
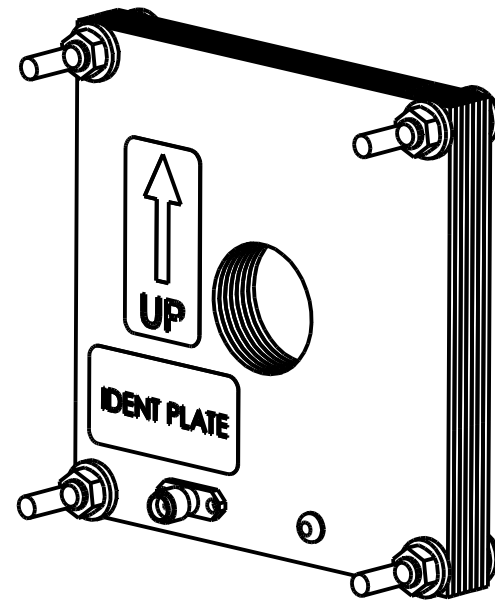
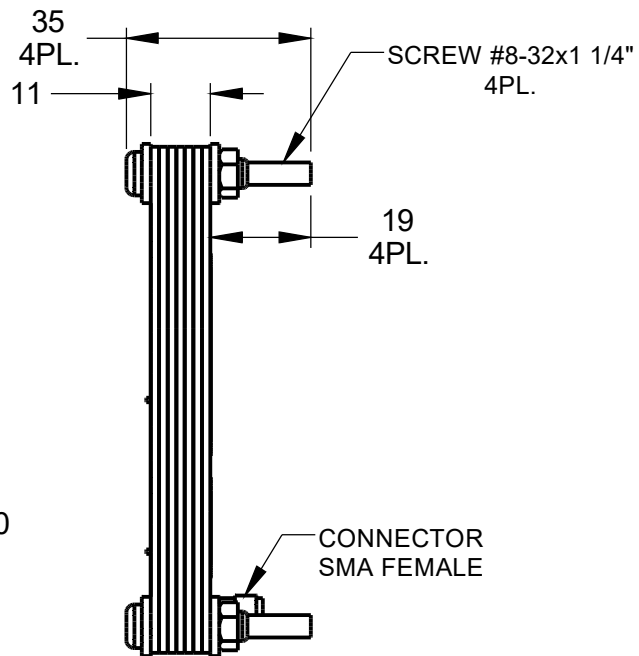
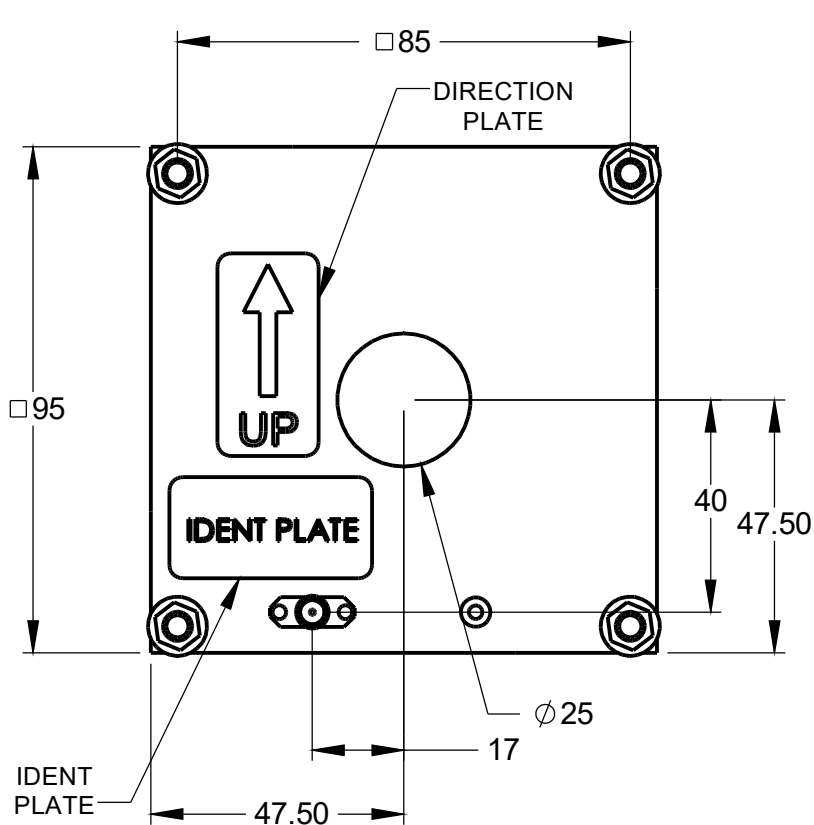


THIS DOCUMENT AND THE INFORMATION CONTAINED IN IT ARE PROPRIETARY AND CONFIDENTIAL TO M.T.I NO PERSON IS ALLOWED TO COPY, REPRINTREPRODUCE OR PUBLISH ANY PART OF THIS DOCUMENT, NOR DISCLOSE ITS CONTENTS TO OTHERS, NOR MAKE ANY USE OF IT, NOR ALLOW OR ASSIST OTHERS TO MAKE ANY USE OF IT - UNLESS BY THE PRIOR WRITTEN EXPRESS AUTHORIZATION OF M.T.I AND THEN ONLY TO EXTENT AUTHORIZED. (C) COPYRIGHT - M.T.I WIRELESS EDGE LTD.

SHEET REVISION STATUS					DESCRIPTION					
5	4	3	2	1	SHEET NO	REV	ECO	REVISION RECORD	APVD	DATE
				A	LATEST REV	A	DC43	RELAESED	Yael H.	30.5.10



UNLESS OTHERWISE SPECIFIED DIMENSIONS ARE IN mm PER ANSI Y14.5M-1982				CONTRACT TO				WIRELESS EDGE LTD. TITLE	
TOLERANCE				DWG	Yael	Yael	30.5.10		
LINEAR	ANGULAR			CHKD	SERGEY	S.Z	30.5.10	SIZE A3 DWG NO RD43025400C	
±0.2	±/ °			DSGN	ROSTMY	M. R	30.5.10		
MT-241030/SLH/A NEXT ASSY				PROJ	ROSTMY	M.R	30.5.10	SCALE- 1:1 SHEET 1 OF 1	
				SURFACE TEXTURE IN MICRO IN.					
				QA	MOTOVICH	MOTI	30.5.10		