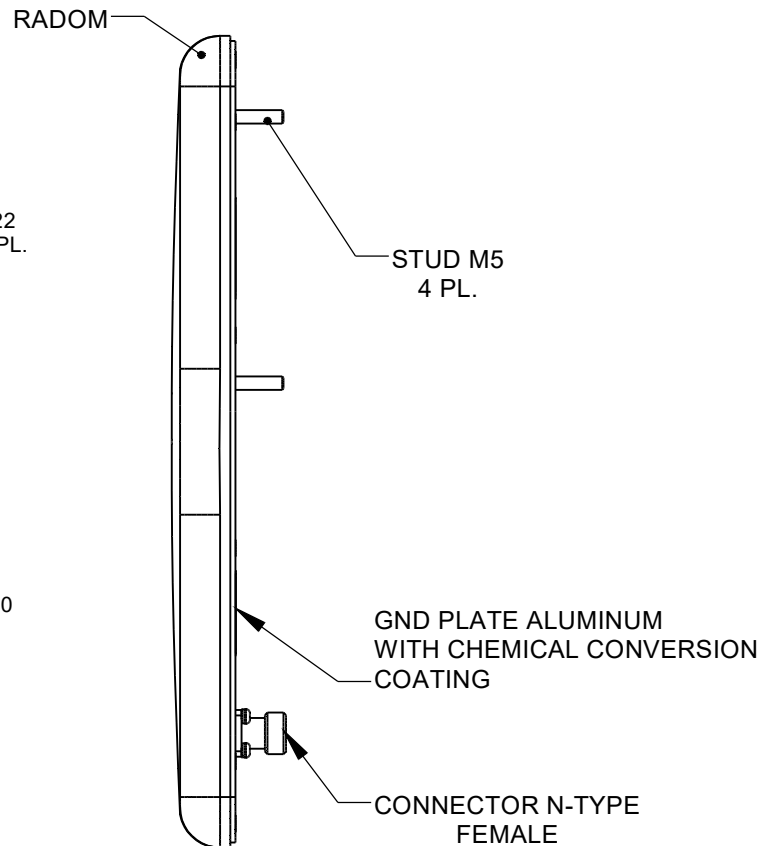
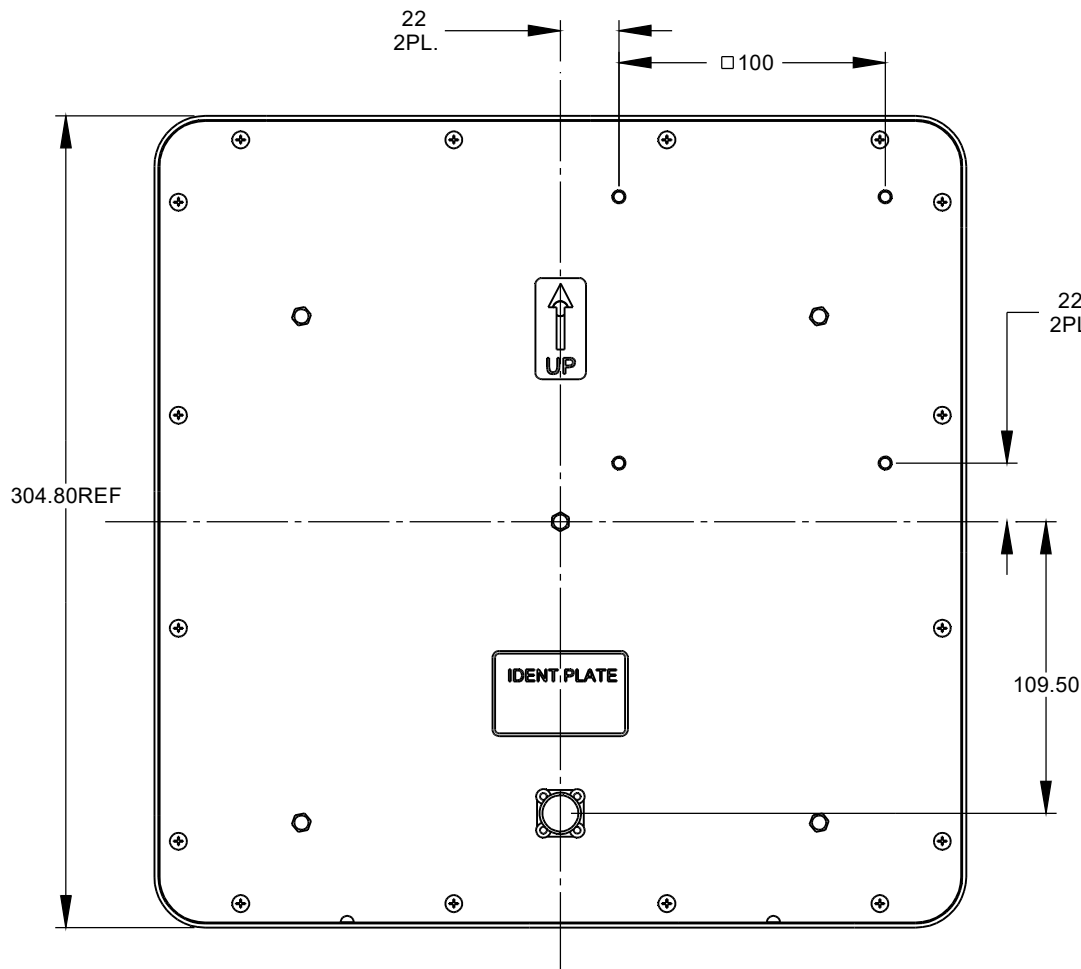


THIS DOCUMENT AND THE INFORMATION CONTAINED IN IT ARE PROPRIETARY AND CONFIDENTIAL TO M.T.I NO PERSON IS ALLOWED TO COPY, REPRINTREPRODUCE OR PUBLISH ANY PART OF THIS DOCUMENT, NOR DISCLOSE ITS CONTENTS TO OTHERS, NOR MAKE ANY USE OF IT, NOR ALLOW OR ASSIST OTHERS TO MAKE ANY USE OF IT - UNLESS BY THE PRIOR WRITTEN EXPRESS AUTHORIZATION OF M.T.I AND THEN ONLY TO EXTENT AUTHORIZED. (C) COPYRIGHT - M.T.I WIRELESS EDGE LTD.

SHEET REVISION STATUS					
5	4	3	2	1	SHEET NO
				C	LATEST REV

DESCRIPTION				
REV	ECO	REVISION RECORD	APVD	DATE
A	DB38	RELEASED	Yael H.	22.7.09
B	5209	ROTATE THE ANTENNA 90deg	Yael H.	2.10.11
C	7221	ROTATE THE ANTENNA 90deg	Yael H.	29.10.14



ALL DIMENSIONS ARE REF.

UNLESS OTHERWISE SPECIFIED DIMENSIONS ARE IN mm PER ANSI Y14.5M-1982		CONTRACT TO		WIRELESS EDGE LTD. TITLE ANT. 865-870MHz MT-242020/NV/K ICD
TOLERANCE		DWG	Yael H. YAEL 08/03/06	
LINEAR	ANGULAR	CHKD	sergey s.Z 09/03/06	
± 0.2	± / °	DSGN	alex A.D 09/03/06	
SURFACE TEXTURE IN MICRO IN.		PROJ	alex A.D 09/03/06	SIZE A3
		MFG		DWG NO RD42819000C
MT-242020/NV/K		QA	MOTOVICH MOTI 22.7.09	SCALE- 1:2
NEXT ASSY				SHEET 1 OF 1

MT-242020/NV/K
NEXT ASSY

SIZE A3
SCALE- 1:2
SHEET 1 OF 1