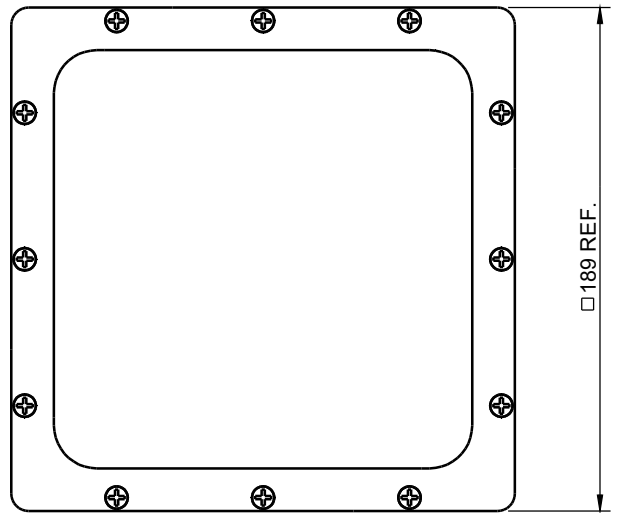


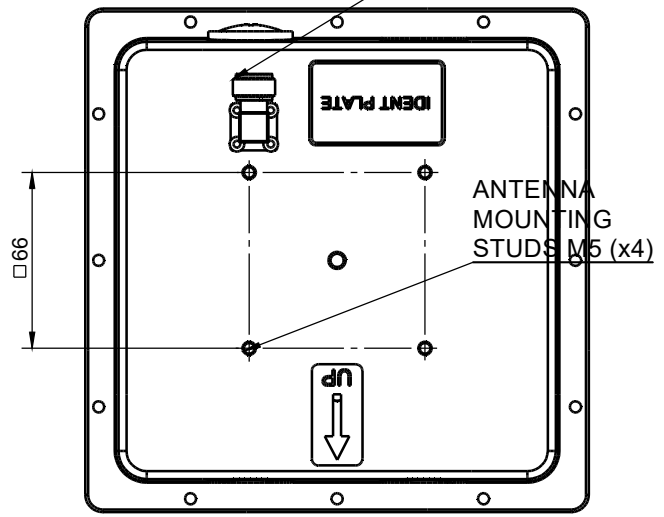
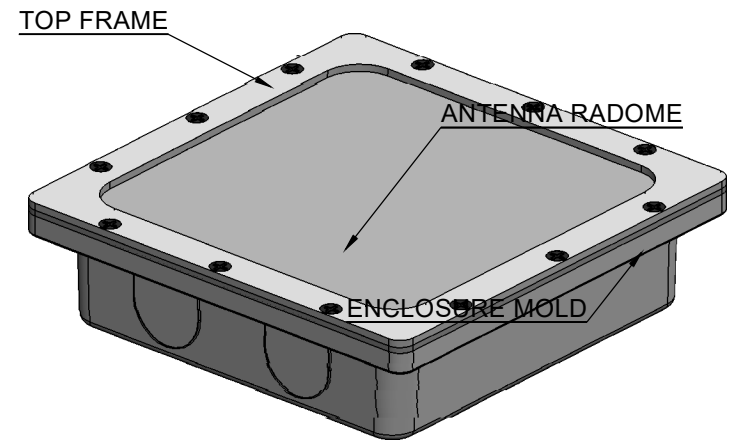
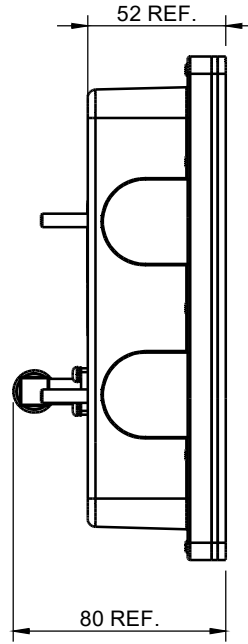
THIS DOCUMENT AND THE INFORMATION CONTAINED IN IT ARE PROPRIETARY AND CONFIDENTIAL TO M.T.I NO PERSON IS ALLOWED TO COPY, REPRINT REPRODUCE OR PUBLISH ANY PART OF THIS DOCUMENT, NOR DISCLOSE ITS CONTENTS TO OTHERS, NOR MAKE ANY USE OF IT, NOR ALLOW OR ASSIST OTHERS TO MAKE ANY USE OF IT - UNLESS BY THE PRIOR WRITTEN EXPRESS AUTHORIZATION OF M.T.I AND THEN ONLY TO EXTENT AUTHORIZED. (C) COPYRIGHT - M.T.I WIRELESS EDGE LTD.

SHEET REVISION STATUS					
5	4	3	2	1	SHEET NO
				A	LATEST REV

DESCRIPTION				
REV	ECO	REVISION RECORD	APVD	DATE
A	DB34	RELEASED	Yael H.	27.1.10



FRONT VIEW  
CONNECTOR N-TYPE  
RIGHT ANGLE



BACK VIEW

MT-242042/NLH  
NEXT ASSY

UNLESS OTHERWISE SPECIFIED		CONTRACT TO	
DIMENSIONS ARE IN mm PER ANSI Y14.5M-1982		DWG	Yael
TOLERANCE		Yael	30.11.09
LINEAR	ANGULAR	CHKD	
±/	±/ °	DSGN	ASAF H. A.H 2.1209
		PROJ	LARISA L.M 30.11.09
SURFACE TEXTURE IN MICRO IN.		MFG	
		QA	MOTOVICH MOTI 2.12.09

		WIRELESS EDGE LTD.	
TITLE			
ForkLift Antenna 902-928MHz MT-242042/NLH			
SIZE	DWG NO		
A3	RD42815500C		
SCALE- 1:2		SHEET 1 OF 1	