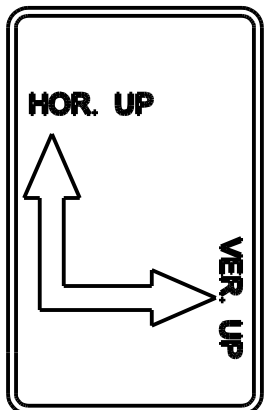
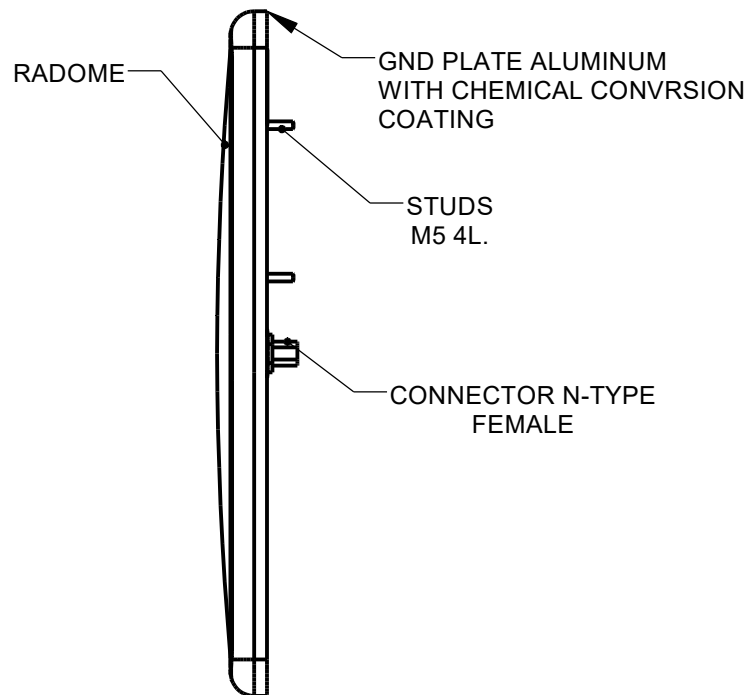
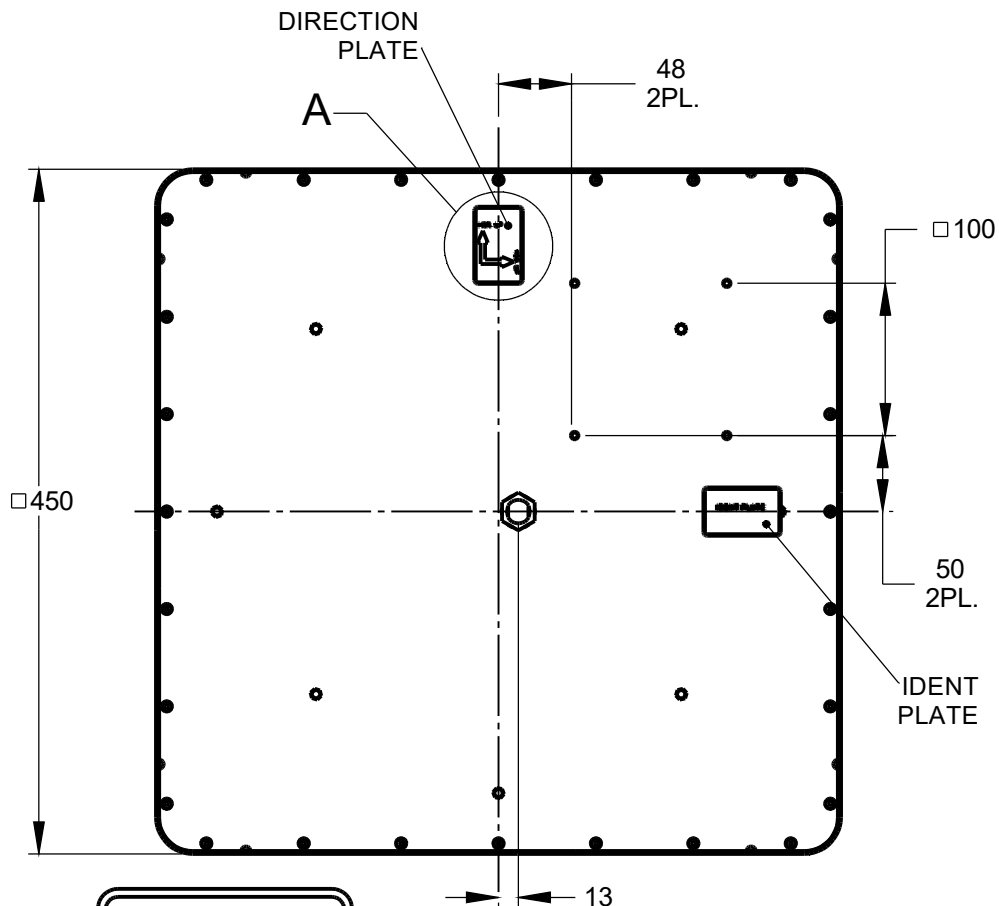


THIS DOCUMENT AND THE INFORMATION CONTAINED IN IT ARE PROPRIETARY AND CONFIDENTIAL TO M.T.I NO PERSON IS ALLOWED TO COPY, REPRINT, REPRODUCE OR PUBLISH ANY PART OF THIS DOCUMENT, NOR DISCLOSE ITS CONTENTS TO OTHERS, NOR MAKE ANY USE OF IT, NOR ALLOW OR ASSIST OTHERS TO MAKE ANY USE OF IT - UNLESS BY THE PRIOR WRITTEN EXPRESS AUTHORIZATION OF M.T.I AND THEN ONLY TO EXTENT AUTHORIZED. (C) COPYRIGHT - M.T.I WIRELESS EDGE LTD.

SHEET REVISION STATUS					
5	4	3	2	1	SHEET NO
				C	LATEST REV

DESCRIPTION				
REV	ECO	REVISION RECORD	APVD	DATE
A	CW44	RELEASED	Yael H.	16.2.05
B	5209	ROTATE THE ANTENNA 90deg UPDATE DIRECTION LABEL	Yael H.	2.10.11
C	2468	UPDATE DIRECTION LABEL	Yael H.	30.11.22



DETAIL A
SCALE 1.5 : 1

ALL DIMENSIONS IN REF

UNLESS OTHERWISE SPECIFIED DIMENSIONS ARE IN mm PER ANSI Y14.5M-1982		CONTRACT TO			
TOLERANCE		DWG	Yael	Yael	13.2..05
LINEAR	ANGULAR	CHKD	ASAF H.	A.H	14.2.05
±0.2	±/ °	DSGN	ALEX D.	A.D	13.2..05
		PROJ	ALEX D.	A.D	13.2..05
		MFG			
SURFACE TEXTURE IN MICRO IN.		QA	MOTOVICH	MOTI	14.2..05

		WIRELESS EDGE LTD.	
TITLE		ANTENNA 865-870MHZ MT-243009/N ICD	
SIZE A3	DWG NO	RD41586300C	
SCALE- 1:3.5		SHEET 1 OF 1	

MT-243009/N
NEXT ASSY