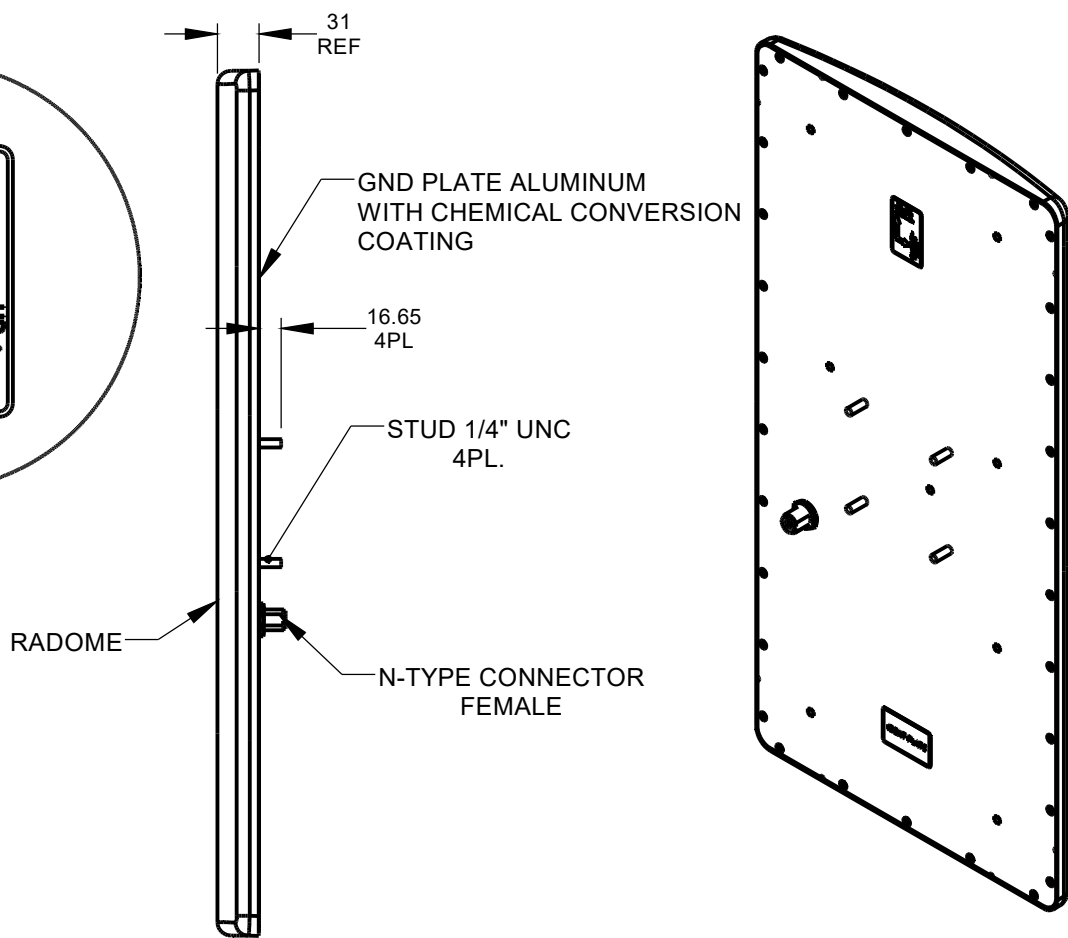
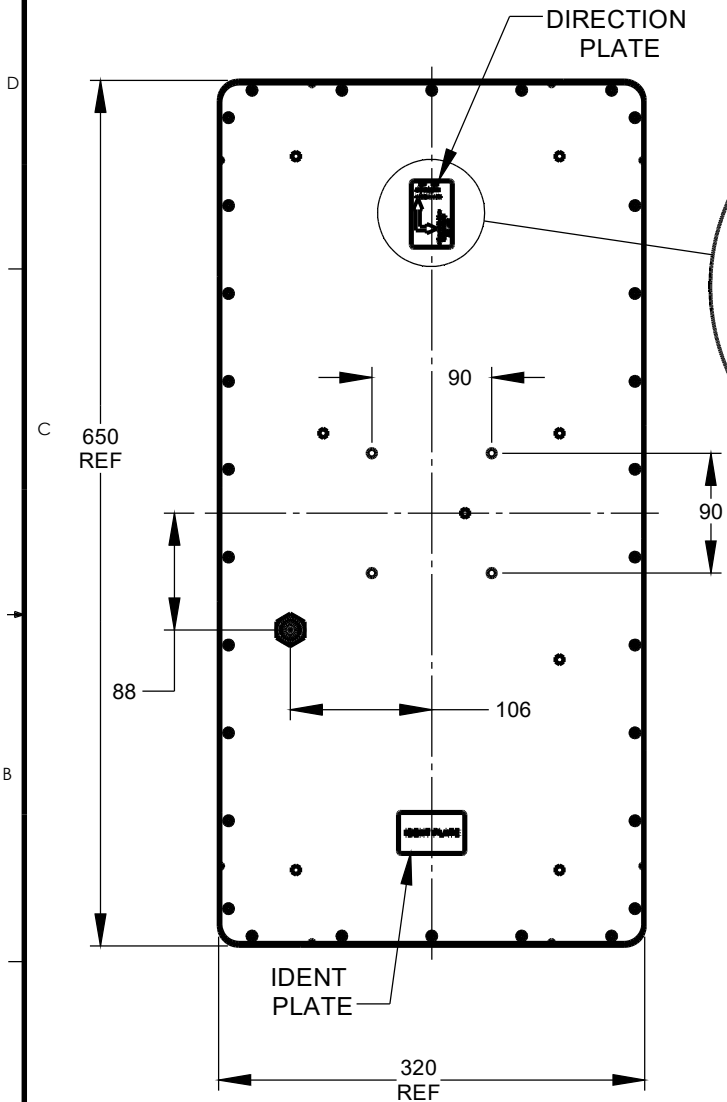


THIS DOCUMENT AND THE INFORMATION CONTAINED IN IT ARE PROPRIETARY AND CONFIDENTIAL TO M.T.I NO PERSON IS ALLOWED TO COPY, REPRINTREPRODUCE OR PUBLISH ANY PART OF THIS DOCUMENT, NOR DISCLOSE ITS CONTENTS TO OTHERS, NOR MAKE ANY USE OF IT, NOR ALLOW OR ASSIST OTHERS TO MAKE ANY USE OF IT - UNLESS BY THE PRIOR WRITTEN EXPRESS AUTHORIZATION OF M.T.I AND THEN ONLY TO EXTENT AUTHORIZED. (C) COPYRIGHT - M.T.I WIRELESS EDGE LTD.

SHEET REVISION STATUS					DESCRIPTION					
5	4	3	2	1	SHEET NO	REV	ECO	REVISION RECORD	APVD	DATE
				A	LATEST REV	A	DF51	RELEASED	Yael H.	24.3.13



UNLESS OTHERWISE SPECIFIED		CONTRACT TO				WIRELESS EDGE LTD.	
DIMENSIONS ARE IN mm PER ANSI Y14.5M-1982		DWG	YAKOV	YAKOV	25.12.06	TITLE	
TOLERANCE		CHKD				ANTENNA 865-870MHz FOR MT-243017/NRH/K ICD	
LINEAR	ANGULAR	DSGN	ALEX	ALEX	25.1.07	SIZE	DWG NO
± 0.2	± 0.5°	PROJ	ALEX	ALEX	25.1.07	A3	RD43574800C
MT-243017/NRH/K	SURFACE TEXTURE IN MICRO IN.	MFG				SCALE-	1:4
NEXT ASSY		IN. QA	MOTOVICH	M.M.	24.3.13		SHEET 1 OF 1