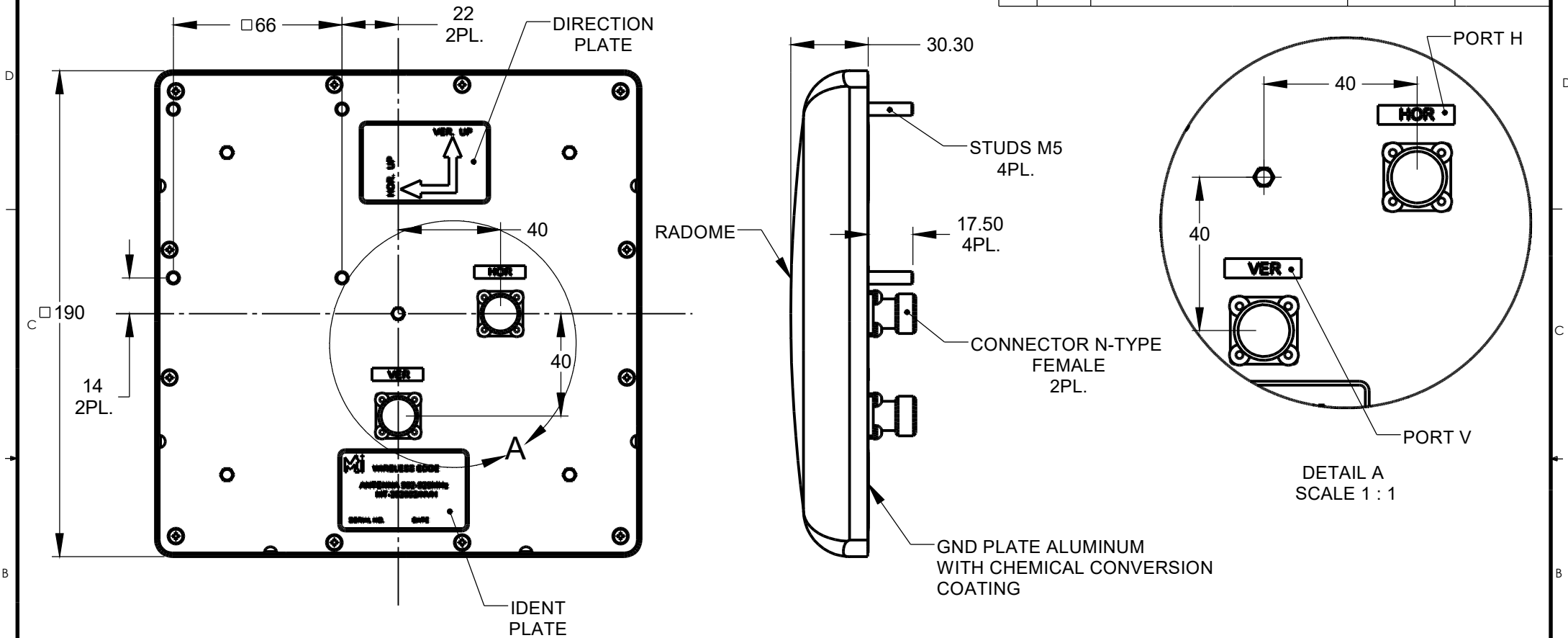


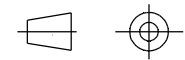
THIS DOCUMENT AND THE INFORMATION CONTAINED IN IT ARE PROPRIETARY AND CONFIDENTIAL TO M.T.I. NO PERSON IS ALLOWED TO COPY, REPRINT, REPRODUCE OR PUBLISH ANY PART OF THIS DOCUMENT, NOR DISCLOSE ITS CONTENTS TO OTHERS, NOR MAKE ANY USE OF IT, NOR ALLOW OR ASSIST OTHERS TO MAKE ANY USE OF IT - UNLESS BY THE PRIOR WRITTEN EXPRESS AUTHORIZATION OF M.T.I. AND THEN ONLY TO THE EXTENT AUTHORIZED. (C) COPYRIGHT - M.T.I. WIRELESS EDGE LTD.

SHEET REVISION STATUS					DESCRIPTION					
5	4	3	2	1	SHEET NO	REV	ECO	REVISION RECORD	APVD	DATE
				A	LATEST REV	A	CW26	RELEASED	Yael H.	3.1.05



ALL DIMENSIONS IN REF

MT-262002/NVH NEXT ASSY	UNLESS OTHERWISE SPECIFIED DIMENSIONS ARE IN mm PER ANSI Y14.5M-1982		CONTRACT TO				WIRELESS EDGE LTD. TITLE ANTENNA 902-928MHz MT-262002/NVH ICD	SIZE A3	DWG NO RD41558400C	SCALE- 1:1.5	SHEET 1 OF 1
	TOLERANCE		DWG	Yael	Yael	13.12.04					
	LINEAR	ANGULAR	CHKD	ASAF H.	A.H	26.12.04					
	±0.2	±/ °	DSGN	ALEX D.	A.D	26.12.04					
		PROJ	ALEX D.	A.D	26.12.04						
		MFG									
		QA	MOTOVICH	MOTI	28.12.04						



SURFACE TEXTURE IN MICRO IN.