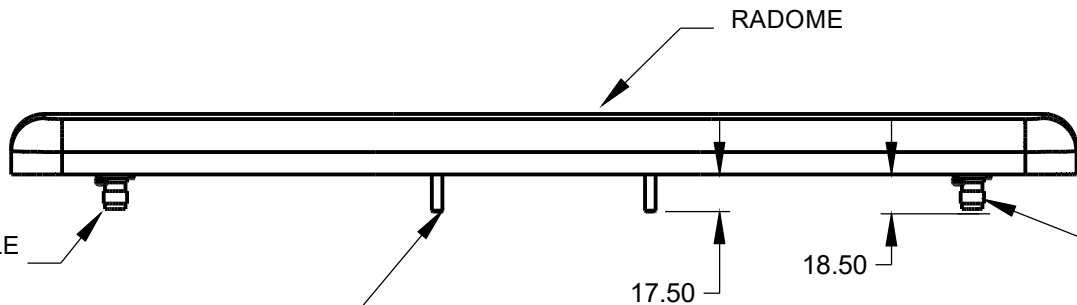
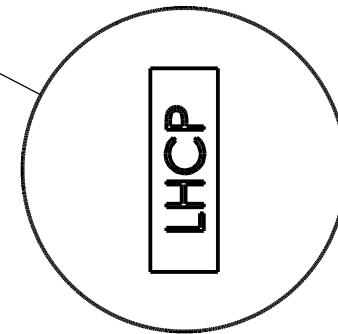
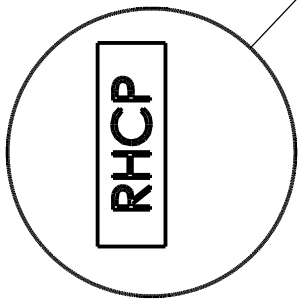
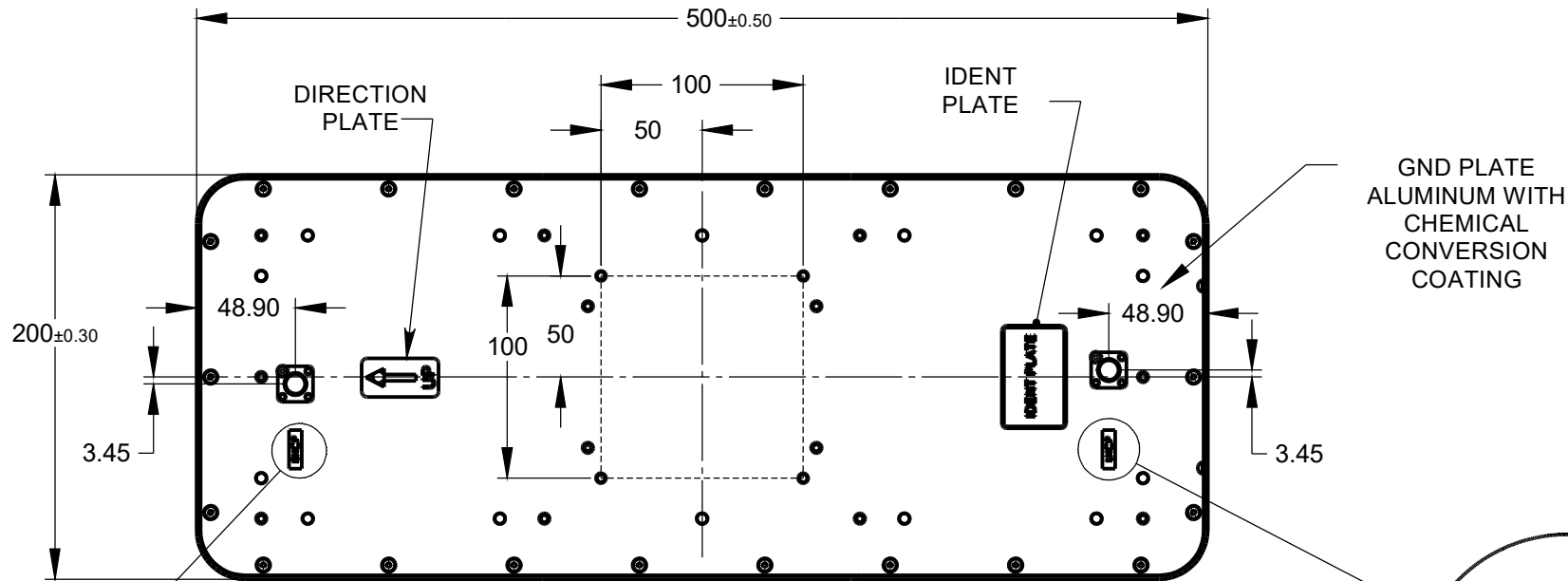


THIS DOCUMENT AND THE INFORMATION CONTAINED IN IT ARE PROPRIETARY AND CONFIDENTIAL TO M.T.I NO PERSON IS ALLOWED TO COPY, REPRINT, REPRODUCE OR PUBLISH ANY PART OF THIS DOCUMENT, NOR DISCLOSE ITS CONTENTS TO OTHERS, NOR MAKE ANY USE OF IT, NOR ALLOW OR ASSIST OTHERS TO MAKE ANY USE OF IT - UNLESS BY THE PRIOR WRITTEN EXPRESS AUTHORIZATION OF M.T.I AND THEN ONLY TO EXTENT AUTHORIZED. (C) COPYRIGHT - M.T.I WIRELESS EDGE LTD.

| SHEET REVISION STATUS | | | | | DESCRIPTION | | | | | |
|-----------------------|---|---|---|---|-------------|-----|------|-----------------|--------|----------|
| 5 | 4 | 3 | 2 | 1 | SHEET NO | REV | ECO | REVISION RECORD | APVD | DATE |
| | | | | A | LATEST REV | A | CX16 | RELEASED | VIVIAN | 25.11.07 |



CONNECTOR TCN FEMALE
REVERSE POLARITY

CONNECTOR TCN FEMALE
REVERSE POLARITY

STUD M5
4PL.

| | | | | | |
|--|---------|-------------|----------|------|----------|
| UNLESS OTHERWISE SPECIFIED DIMENSIONS ARE IN mm PER ANSI Y14.5M-1994 | | CONTRACT TO | | | |
| TOLERANCE | | DWG | VIVIAN | V.K. | 21.8.07 |
| LINEAR | ANGULAR | CHKD | SERGEY | S.Z. | 20.11.07 |
| ± 0.2 | ± / ° | DSGN | ROSTMY | R.M. | 20.11.07 |
| | | PROJ | ROSTMY | R.M. | 20.11.07 |
| | | MFG | | | |
| SURFACE TEXTURE IN MICRO IN. | | QA | MOTOVICH | M.M. | 22.11.07 |

| | | | | | |
|--------------|--|--|--|-------------|--|
| | | WIRELESS EDGE LTD. | | | |
| TITLE | | ANTENNA 902-928MHz MT-262025/TRLH/A ICD | | | |
| SIZE A3 | | DWG NO | | RD42161300C | |
| SCALE- 1:2.5 | | SHEET 1 OF 1 | | | |

ALL DIMENSIONS ARE REF

| |
|------------------|
| MT-262025/TRLH/A |
| NEXT ASSY |