

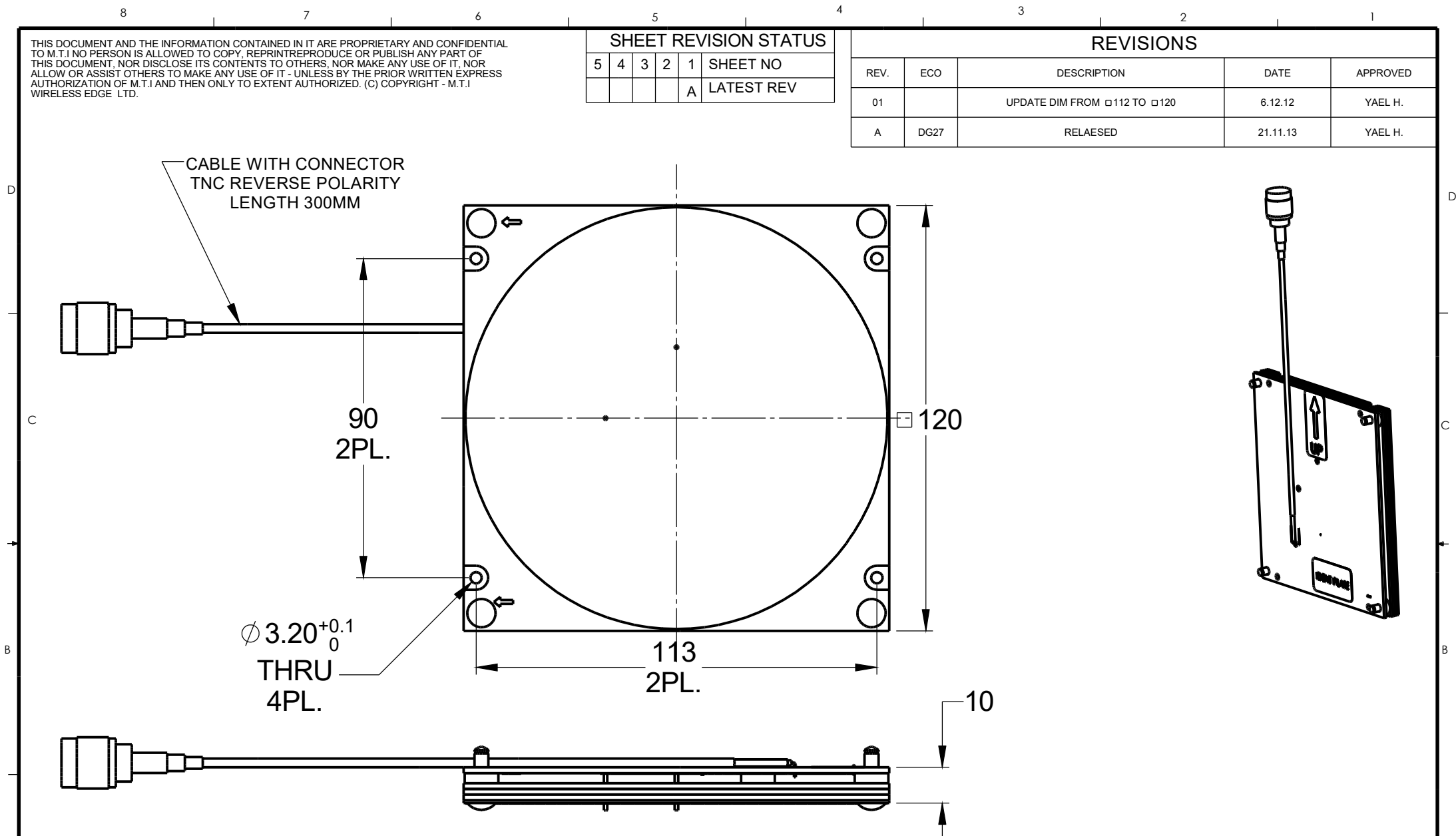
THIS DOCUMENT AND THE INFORMATION CONTAINED IN IT ARE PROPRIETARY AND CONFIDENTIAL TO M.T.I NO PERSON IS ALLOWED TO COPY, REPRINTREPRODUCE OR PUBLISH ANY PART OF THIS DOCUMENT, NOR DISCLOSE ITS CONTENTS TO OTHERS, NOR MAKE ANY USE OF IT, NOR ALLOW OR ASSIST OTHERS TO MAKE ANY USE OF IT - UNLESS BY THE PRIOR WRITTEN EXPRESS AUTHORIZATION OF M.T.I AND THEN ONLY TO EXTENT AUTHORIZED. (C) COPYRIGHT - M.T.I WIRELESS EDGE LTD.

SHEET REVISION STATUS

5	4	3	2	1	SHEET NO
				A	LATEST REV

REVISIONS

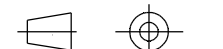
REV.	ECO	DESCRIPTION	DATE	APPROVED
01		UPDATE DIM FROM $\square 112$ TO $\square 120$	6.12.12	Yael H.
A	DG27	RELEASED	21.11.13	Yael H.



UNLESS OTHERWISE SPECIFIED
DIMENSIONS ARE IN mm
PER ANSI Y14.5M-1982

TOLERANCE
LINEAR ANGULAR

± 0.2 $\pm /$ $^\circ$



SURFACE TEXTURE IN MICRO IN.

CONTRACT TO

DWG	Yael	Yael	13.11.13
CHKD	SEFI C.A	S.C.A	14.11.13
DSGN	ROSTMY	M.R	14.11.13
PROJ	ROSTMY	M.R	14.11.13
MFG	QA	MOTOVICH	MOTI 21.11.13

M.T.I WIRELESS EDGE LTD.

TITLE **ANTENNA 902-928MHz
MT-262045/CRH ICD**

SIZE
A3

DWG NO RD43523900C

SCALE- 1:1

SHEET 1 OF 1

MT-262045/CRH

NEXT ASSY