

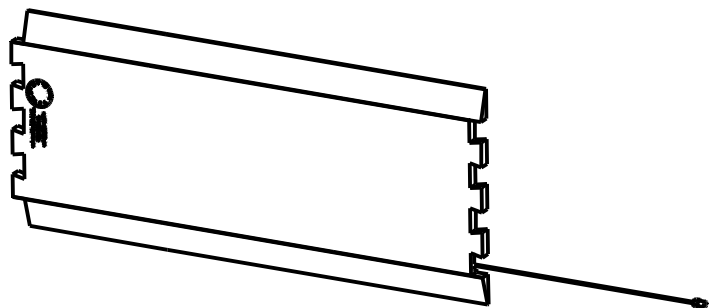
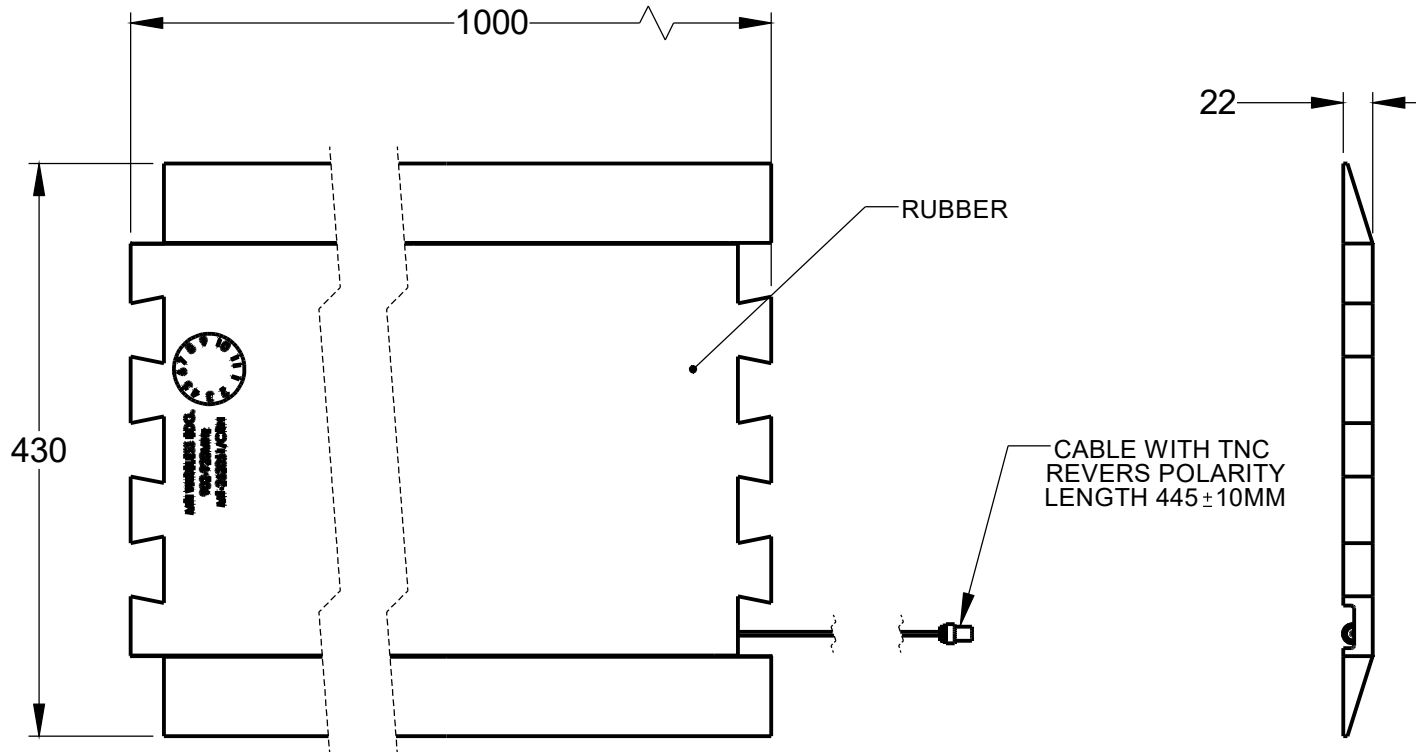
THIS DOCUMENT AND THE INFORMATION CONTAINED IN IT ARE PROPRIETARY AND CONFIDENTIAL TO M.T.I NO PERSON IS ALLOWED TO COPY, REPRINT REPRODUCE OR PUBLISH ANY PART OF THIS DOCUMENT, NOR DISCLOSE ITS CONTENTS TO OTHERS, NOR MAKE ANY USE OF IT, NOR ALLOW OR ASSIST OTHERS TO MAKE ANY USE OF IT - UNLESS BY THE PRIOR WRITTEN EXPRESS AUTHORIZATION OF M.T.I AND THEN ONLY TO EXTENT AUTHORIZED. (C) COPYRIGHT - M.T.I WIRELESS EDGE LTD.

**SHEET REVISION STATUS**

5	4	3	2	1	SHEET NO
				A	LATEST REV

**REVISIONS**

REV.	ECO	DESCRIPTION	DATE	APPROVED
A	DJ50	RELEASED	19.11.18	Yael H.



UNLESS OTHERWISE SPECIFIED  
DIMENSIONS ARE IN mm  
PER ANSI Y14.5M-1982

TOLERANCE	
LINEAR	ANGULAR
± 1	± / °



CONTRACT TO			
DWG	Yael	Yael	18.11.18
CHKD	MICHAEL	M.H	18.11.18
DSGN	ROSTMY	M.R	18.11.18
PROJ	ROSTMY	M.R	18.11.18
MFG			
QA	MOTOVICH	MOTI	18.11.18

<b>M.T.I</b> WIRELESS EDGE LTD.	
TITLE ANTENNA 902-928MHZ MT-262051/CRH ICD	
SIZE A3	DWG NO RD43997000C
SCALE- 1:4	SHEET 1 OF 1

MT-262051/CRH  
ANTENNA P/N