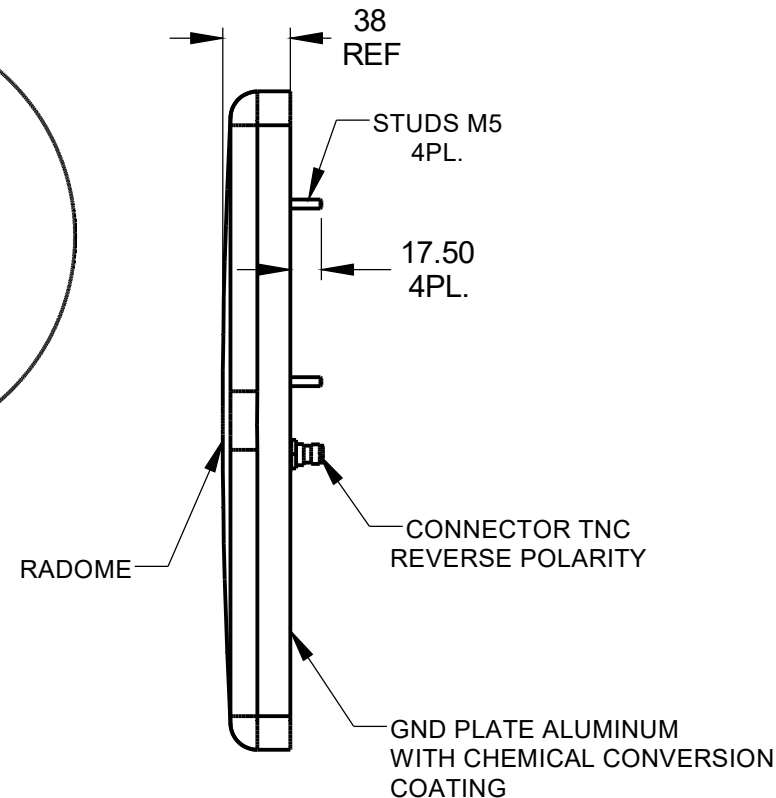
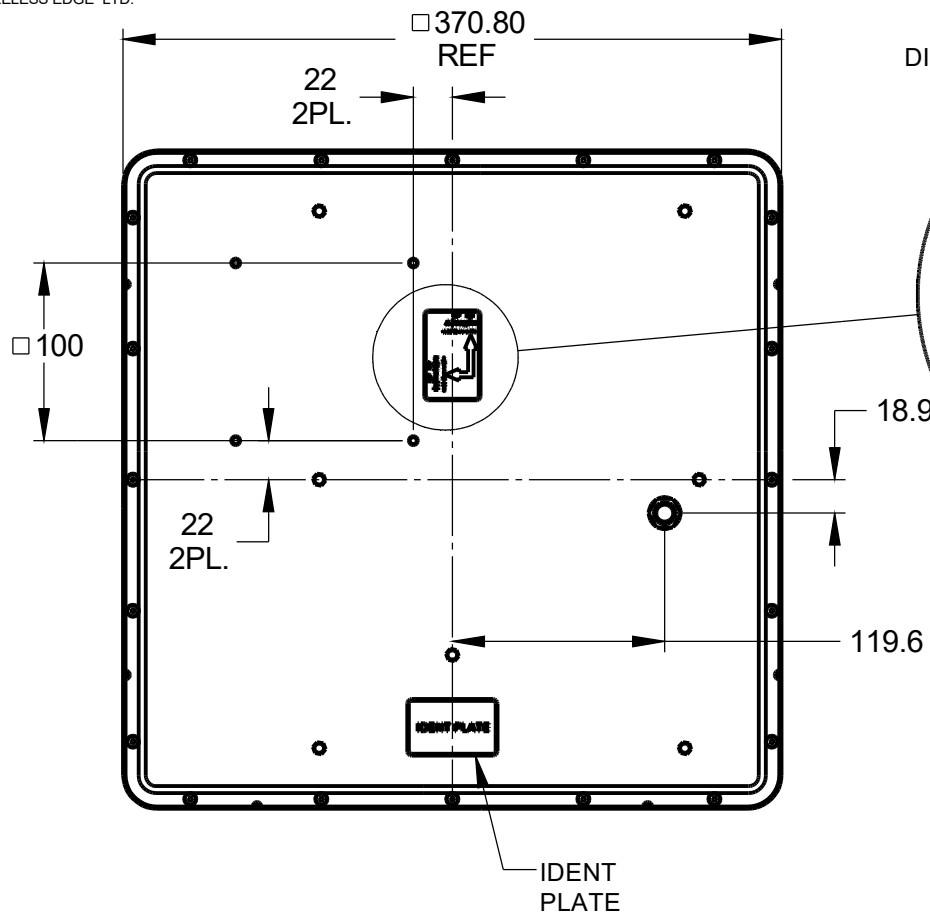


THIS DOCUMENT AND THE INFORMATION CONTAINED IN IT ARE PROPRIETARY AND CONFIDENTIAL TO M.T.I NO PERSON IS ALLOWED TO COPY, REPRINT, REPRODUCE OR PUBLISH ANY PART OF THIS DOCUMENT, NOR DISCLOSE ITS CONTENTS TO OTHERS, NOR MAKE ANY USE OF IT, NOR ALLOW OR ASSIST OTHERS TO MAKE ANY USE OF IT - UNLESS BY THE PRIOR WRITTEN EXPRESS AUTHORIZATION OF M.T.I AND THEN ONLY TO EXTENT AUTHORIZED. (C) COPYRIGHT - M.T.I WIRELESS EDGE LTD.

SHEET REVISION STATUS					
5	4	3	2	1	SHEET NO
				A	LATEST REV

DESCRIPTION				
REV	ECO	REVISION RECORD	APVD	DATE
A	DC83	RELEASED	Yael H.	10.10.10



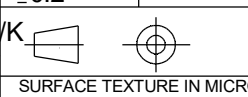
UNLESS OTHERWISE SPECIFIED
DIMENSIONS ARE IN mm
PER ANSI Y14.5M-1982

TOLERANCE	
LINEAR	ANGULAR
±0.2	±/°

CONTRACT TO			
DWG	Yael	Yael	6.6.10
CHKD	Y.MILLER	Y.M	6.6.10
DSGN			
PROJ	Yael	Yael	6.6.10
MFG			
QA	MOTOVICH	MOTI	10.10.10

Mti WIRELESS EDGE LTD.	
TITLE ANTENNA 902-928MHz MT-263007/TRH/A/K ICD	
SIZE A3	DWG NO RD43105700C
SCALE- 1:3	SHEET 1 OF 1

MT-263007/TRH/A/K
NEXT ASSY



SURFACE TEXTURE IN MICRO IN.