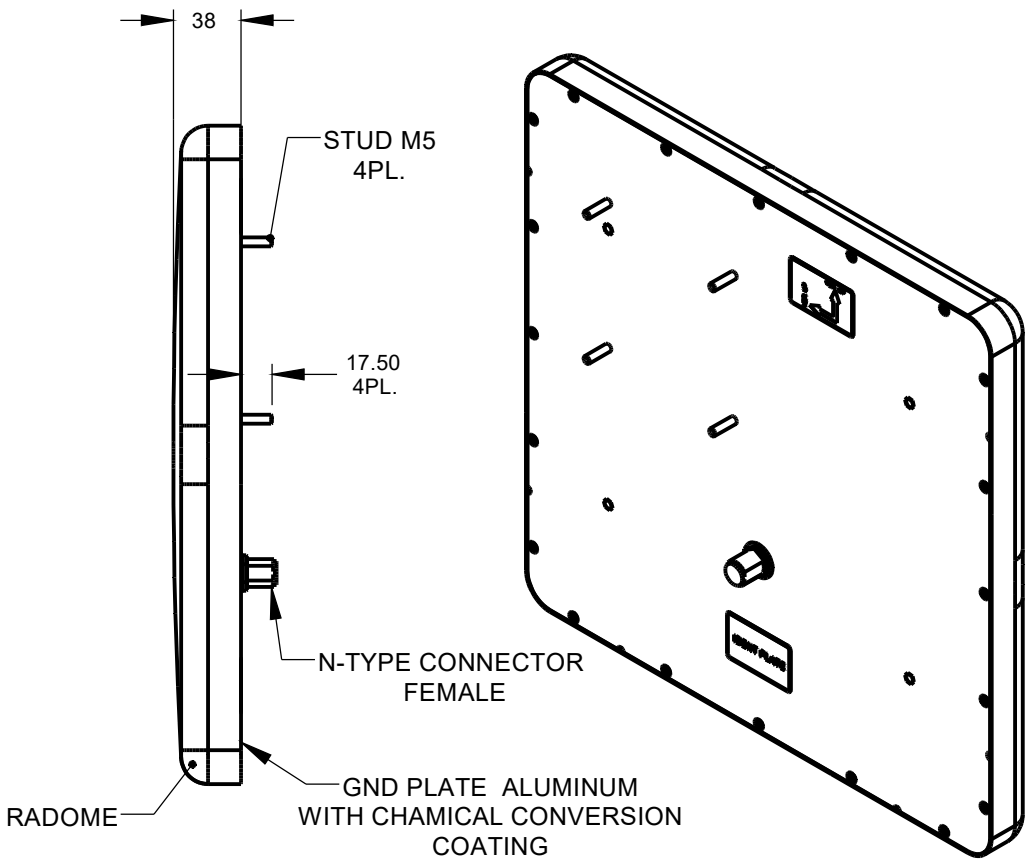
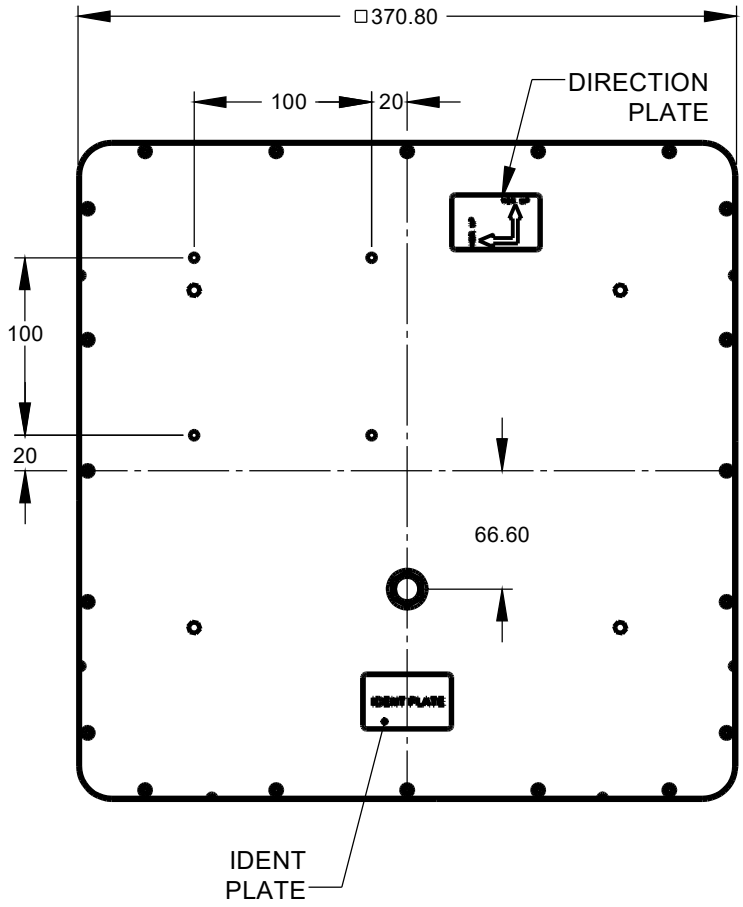


THIS DOCUMENT AND THE INFORMATION CONTAINED IN IT ARE PROPRIETARY AND CONFIDENTIAL TO M.T.I NO PERSON IS ALLOWED TO COPY, REPRINT, REPRODUCE OR PUBLISH ANY PART OF THIS DOCUMENT, NOR DISCLOSE ITS CONTENTS TO OTHERS, NOR MAKE ANY USE OF IT, NOR ALLOW OR ASSIST OTHERS TO MAKE ANY USE OF IT - UNLESS BY THE PRIOR WRITTEN EXPRESS AUTHORIZATION OF M.T.I AND THEN ONLY TO EXTENT AUTHORIZED. (C) COPYRIGHT - M.T.I WIRELESS EDGE LTD.

SHEET REVISION STATUS					
5	4	3	2	1	SHEET NO
				B	LATEST REV

DESCRIPTION				
REV	ECO	REVISION RECORD	APVD	DATE
A	CV21	RELEASED	YAKOV	15.10.06
B	4536	ADD 8 RADOME SCREWS	Yael H.	18.2.10



SEE SEPERATE PART LIST

UNLESS OTHERWISE SPECIFIED DIMENSIONS ARE IN mm PER ANSI Y14.5M-1982	CONTRACT TO				Mti WIRELESS EDGE LTD.
	DWG	YAKOV	YAKOV	4.10.06	
TOLERANCE LINEAR ANGULAR	CHKD	SERGEY	S.Z	10.10.06	TITLE
	± 02		±0.5°		ANTENNA 950-956MHz MT-263023/N ICD
MT-263023/N	DSGN	ALEX	A.D	9.10.06	SIZE
NEXT ASSY	PROJ	ALEX	A.D	9.10.06	A3
	MFG				DWG NO
					RD41935000C
					SCALE- 1:3
					SHEET 1 OF 1

D
C
B
A

D
C
B
A

8 7 6 5 4 3 2 1

8 7 6 5 4 3 2 1