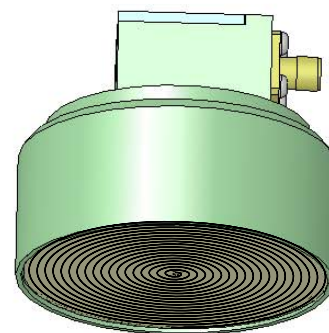
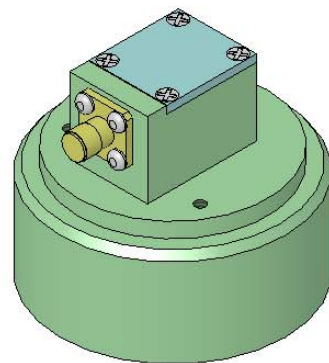
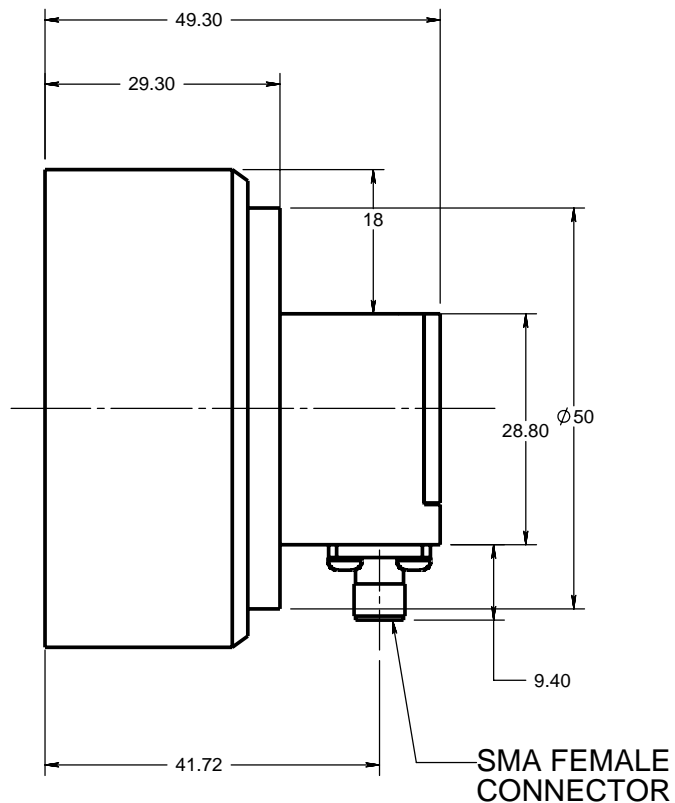
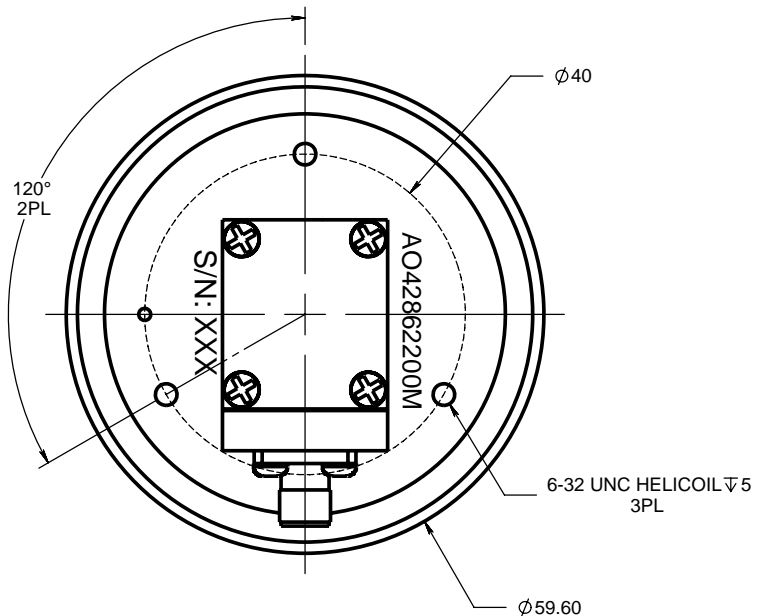


THIS DOCUMENT AND THE INFORMATION CONTAINED IN IT ARE PROPRIETARY AND CONFIDENTIAL TO M.T.I. NO PERSON IS ALLOWED TO COPY, REPRINT, REPRODUCE OR PUBLISH ANY PART OF THIS DOCUMENT, NOR DISCLOSE ITS CONTENTS TO OTHERS, NOR MAKE ANY USE OF IT, NOR ALLOW OR ASSIST OTHERS TO MAKE ANY USE OF IT - UNLESS BY THE PRIOR WRITTEN EXPRESS AUTHORIZATION OF M.T.I. AND THEN ONLY TO THE EXTENT AUTHORIZED. (C) COPYRIGHT - M.T.I. WIRELESS EDGE LTD.

SHEET REVISION STATUS					
5	4	3	2	1	SHEET NO
				A	LATEST REV

DESCRIPTION				
REV	ECO	REVISION RECORD	APVD	DATE
A	CB62	RELEASED	VIVIAN	22.9.09



UNLESS OTHERWISE SPECIFIED
DIMENSIONS ARE IN mm
PER ANSI Y14.5M-1994

TOLERANCE	
LINEAR	ANGULAR
± 0.1	$\pm 1^\circ$

CONTRACT TO			
DWG	VIVIAN	V.K.	21.9.09
CHKD			
DSGN	GILLER	G.H.	22.9.09
PROJ	GILLER	G.H.	22.9.09
MFG			
QA	MOTOVICH	M.M.	22.9.09

Mti WIRELESS EDGE LTD.
TITLE
SPIRAL ANTENNA ICD

MT-281023/S
NEXT ASSY



SURFACE TEXTURE IN MICRO IN.

SIZE A3	DWG NO RD42862100M	SHEET 1 OF 1
SCALE- 1.5:1		