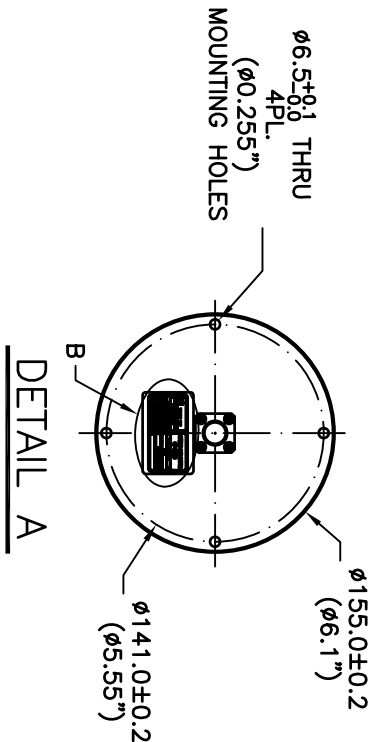
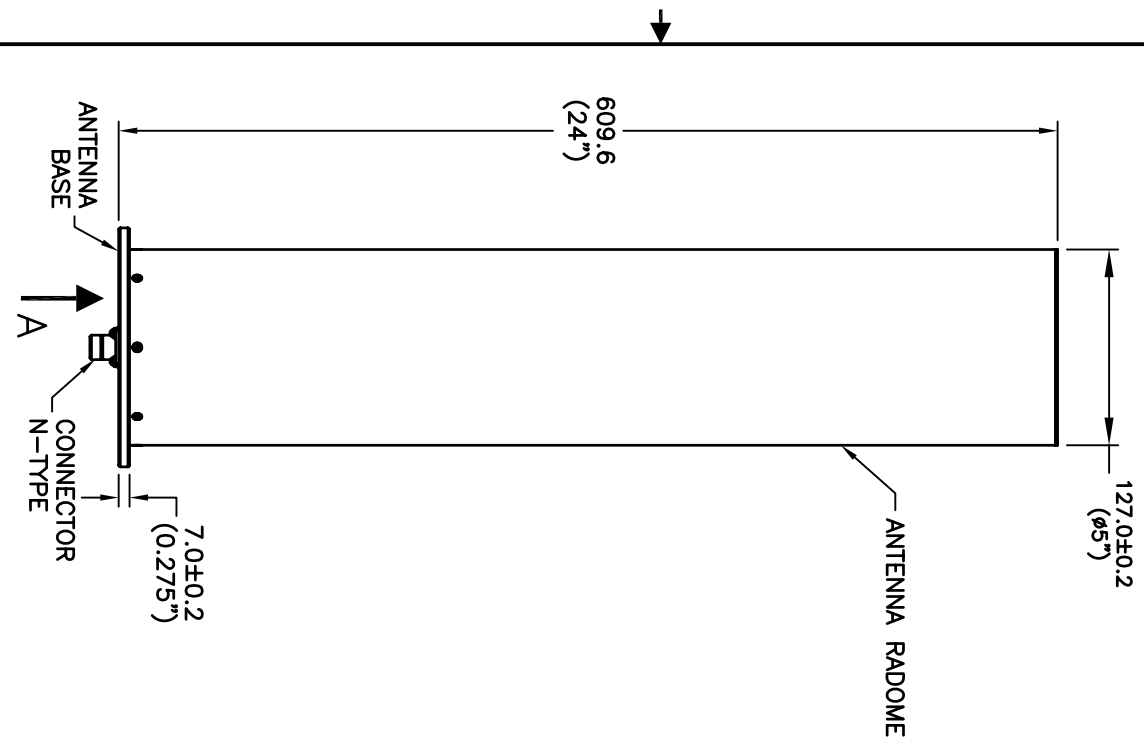
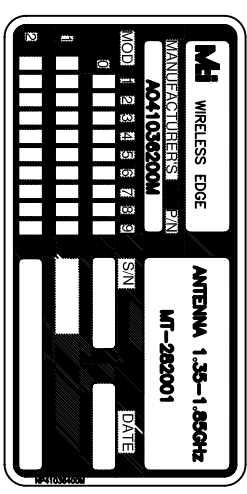


THIS DOCUMENT AND THE INFORMATION CONTAINED IN IT ARE PROPRIETARY AND CONFIDENTIAL TO M.T.L. NO PERSON IS ALLOWED TO COPY, REPRINT, REPRODUCE OR PUBLISH ANY PART OF THIS DOCUMENT, NOR DISCLOSE ITS CONTENTS TO OTHERS, NOR MAKE ANY USE OF IT, NOR ALLOW OR ASSIST OTHERS TO MAKE ANY USE OF IT - UNLESS BY THE PRIOR WRITTEN EXPRESS AUTHORIZATION OF M.T.L. AND THEN ONLY TO EXTENT AUTHORIZED. (C) COPYRIGHT - M.T.L. WIRELESS EDGE LTD.



DETAIL B  
SCALE 2/1



DWG NO		SH 1	
<b>SHEET REVISION STATUS</b>			
5	4	3	2
1	SHEET NO		
A	LATEST REV		
REV		ECO	RELEASED
A	C098		
DESCRIPTION		APVD	DATE
		YVEL H.	10.12.01

**ALL DIMENSION IN REF**

**NOTE:**  
1. FINISH: PAINT ACCORDING TO MIL-C-83286, COLOR NO. 36375  
PER FED-STD-595 .

UNLESS OTHERWISE SPECIFIED		NAME		SIGN		DATE	
DIMENSIONS ARE IN mm.		DWG	YVEL	YVEL	10.12.01		
PER ANSI Y14.5M-1982		CHKD	YVAL	YT	10.12.01		
TOLERANCE		CHKD	GILLER	H.G	10.12.01		
LINEAR		DSGN	ROSTAY	MR	10.12.01		
ANGULAR		PROJ	ROSTAY	MR	10.12.01		
± / ± /		MFG					
1st. ANGLE PROJECTION		Q.A.					
SURFACE TEXTURE IN IN.		MOTOUCH		MOT	10.12.01		
/		TITLE		SIZE		SCALE	
NEXT ASSY		ANTENNA 1.35-1.85GHZ		B		1/4	
		MT-282001 ICD		RD41036300C		SHEET 1 OF 1	
		WIRELESS EDGE LTD.		DWG NO			