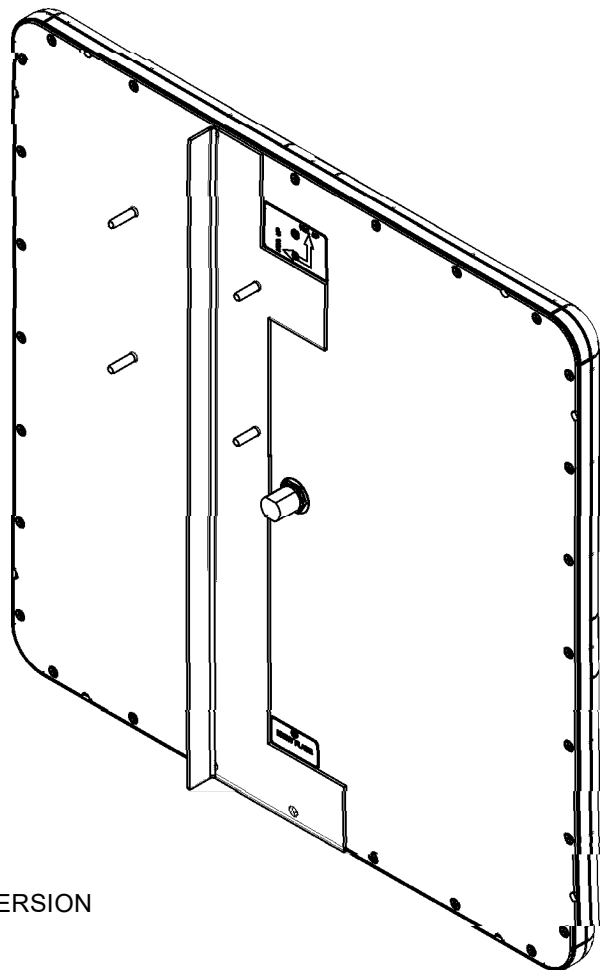
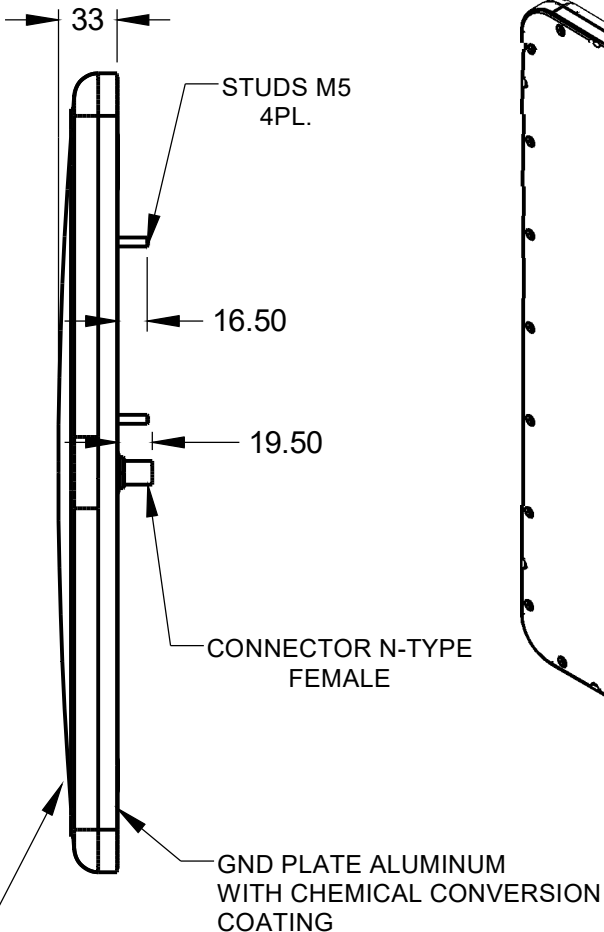
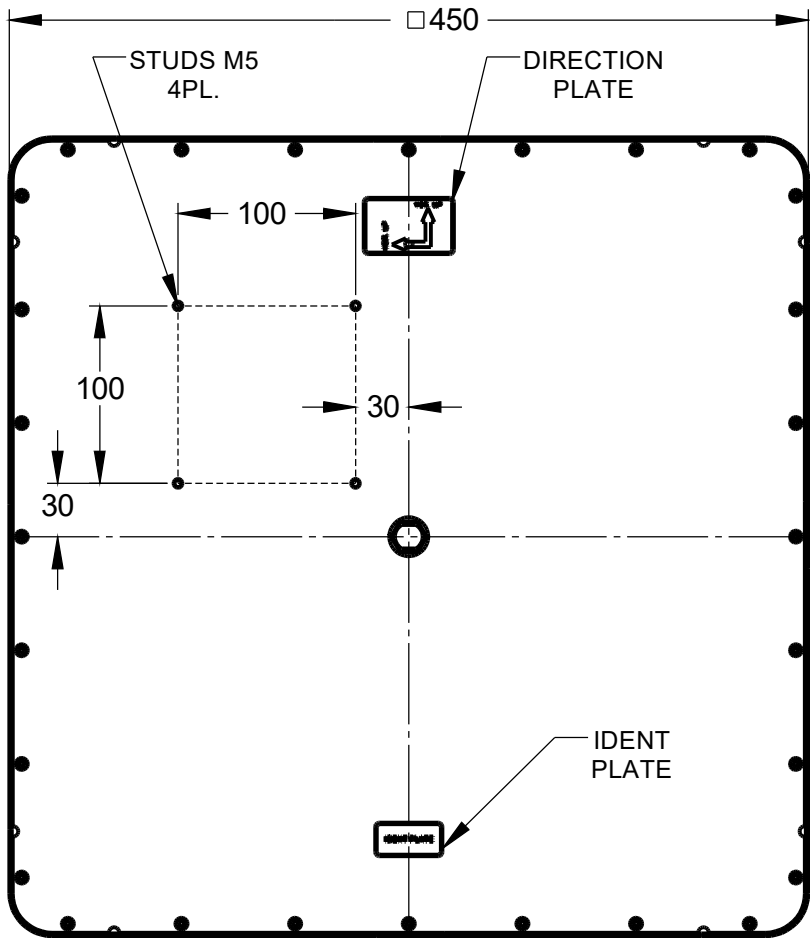


THIS DOCUMENT AND THE INFORMATION CONTAINED IN IT ARE PROPRIETARY AND CONFIDENTIAL TO M.T.I. NO PERSON IS ALLOWED TO COPY, REPRINT, REPRODUCE OR PUBLISH ANY PART OF THIS DOCUMENT, NOR DISCLOSE ITS CONTENTS TO OTHERS, NOR MAKE ANY USE OF IT, NOR ALLOW OR ASSIST OTHERS TO MAKE ANY USE OF IT - UNLESS BY THE PRIOR WRITTEN EXPRESS AUTHORIZATION OF M.T.I AND THEN ONLY TO EXTENT AUTHORIZED. (C) COPYRIGHT - M.T.I WIRELESS EDGE LTD.

SHEET REVISION STATUS					
5	4	3	2	1	SHEET NO
				A	LATEST REV

DESCRIPTION				
REV	ECO	REVISION RECORD	APVD	DATE
A	CW18	RELEASED	VIVIAN	20.6.07



ALL DIMENSIONS ARE REF

MT-345017/N
NEXT ASSY

UNLESS OTHERWISE SPECIFIED		CONTRACT TO			
DIMENSIONS ARE IN mm PER ANSI Y14.5M-1982		DWG	VIVIAN	V.K.	28.2.07
TOLERANCE		CHKD	ARKADY	A.K.	19.6.07
LINEAR	ANGULAR	DSGN	ROSTMY	R.M.	19.6.07
±0.2	±/°	PROJ	ROSTMY	R.M.	19.6.07
SURFACE TEXTURE IN MICRO IN.		MFG			
QA		MOTOVICH	M.M.	20.6.07	

<b>M.T.I.</b>		WIRELESS EDGE LTD.		
TITLE		ANTENNA 2.3-2.7GHZ MT-345017/N ICD		
SIZE	A3	DWG NO	RD42026500C	
SCALE- 1:3		SHEET 1 OF 1		