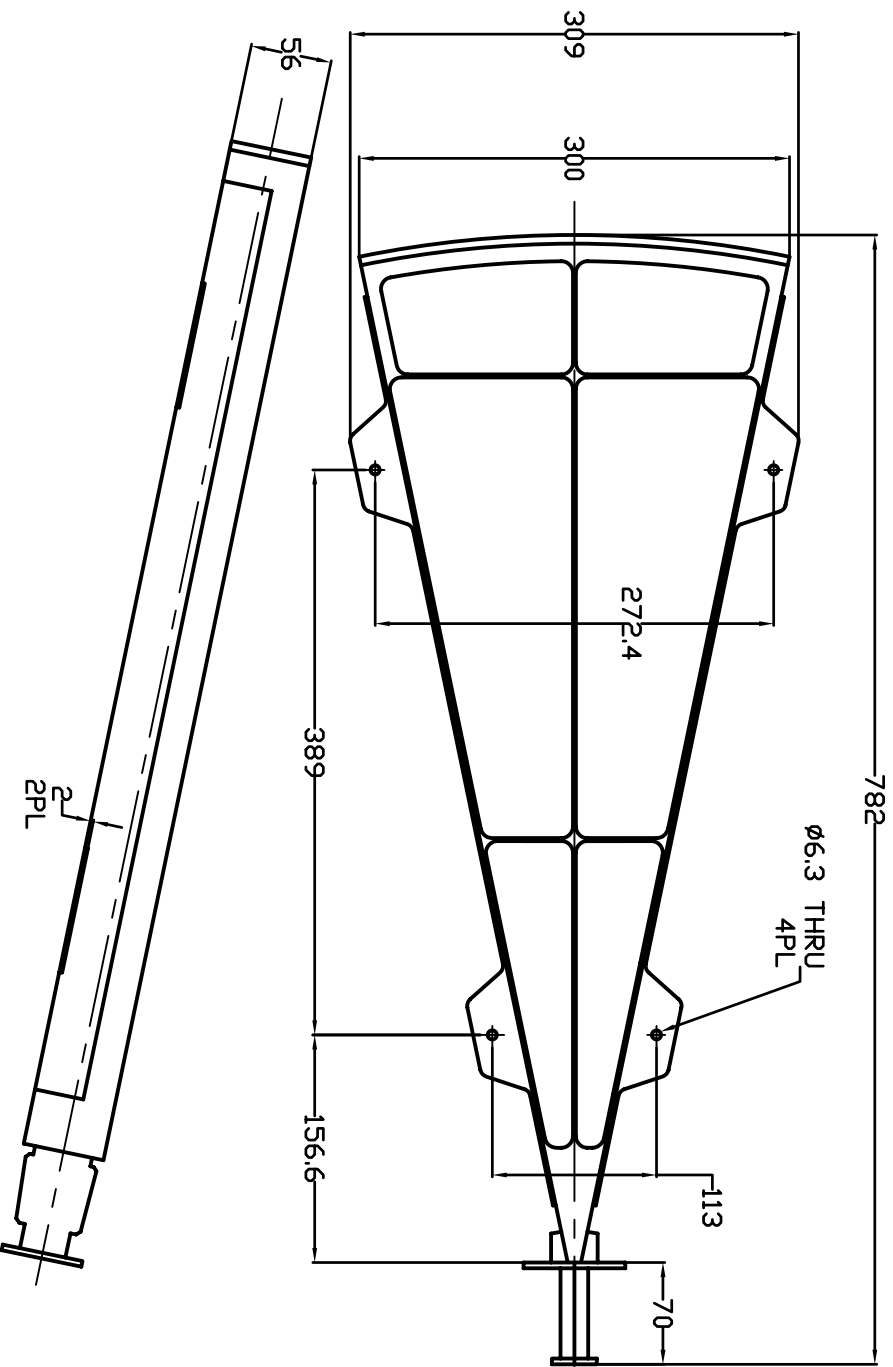


THIS DOCUMENT AND THE INFORMATION CONTAINED IN IT ARE PROPRIETARY AND CONFIDENTIAL TO M.T.I. NO PERSON IS ALLOWED TO COPY, REPRINT, REPRODUCE OR PUBLISH ANY PART OF THIS DOCUMENT, NOR DISCLOSE ITS CONTENTS TO OTHERS, NOR MAKE ANY USE OF IT, NOR ALLOW OR ASSIST OTHERS TO MAKE ANY USE OF IT - UNLESS BY THE PRIOR WRITTEN EXPRESS AUTHORIZATION OF M.T.I. AND THEN ONLY TO EXTENT AUTHORIZED. (C) COPYRIGHT - M.T.I. WIRELESS EDGE LTD.



DWS NO		SH 1	
SHEET REVISION STATUS			
5	4	3	2
1	SHEET NO		
A	LATEST REV		

REVISION RECORD			
REV	ECO	DESCRIPTION	APVD
A	CY40	RELEASED	YVEL H
			DATE
			24.10.07

UNLESS OTHERWISE SPECIFIED		NAME		SIGN DATE	
DIMENSIONS ARE IN mm. PER ANSI Y14.5M-1994		DWG	YVEL	YVEL	18.9.07
TOLERANCE		CHKD	GULLER		
LINEAR		CHKD	GULLER	H4G	18.9.07
ANGULAR		DSGN			
1st. ANGLE PROJECTION		PROJ	GULLER	H4G	18.9.07
SURFACE TEXTURE IN IN.		MFG	KOTOVICH	NOTI	20.9.07
		Q.A.			
TITLE		M.T.I. WIRELESS EDGE LTD.			
MT-4020		RD42271800M			
NEXT ASSY		SCALE /			
		SHEET 1 OF 1			