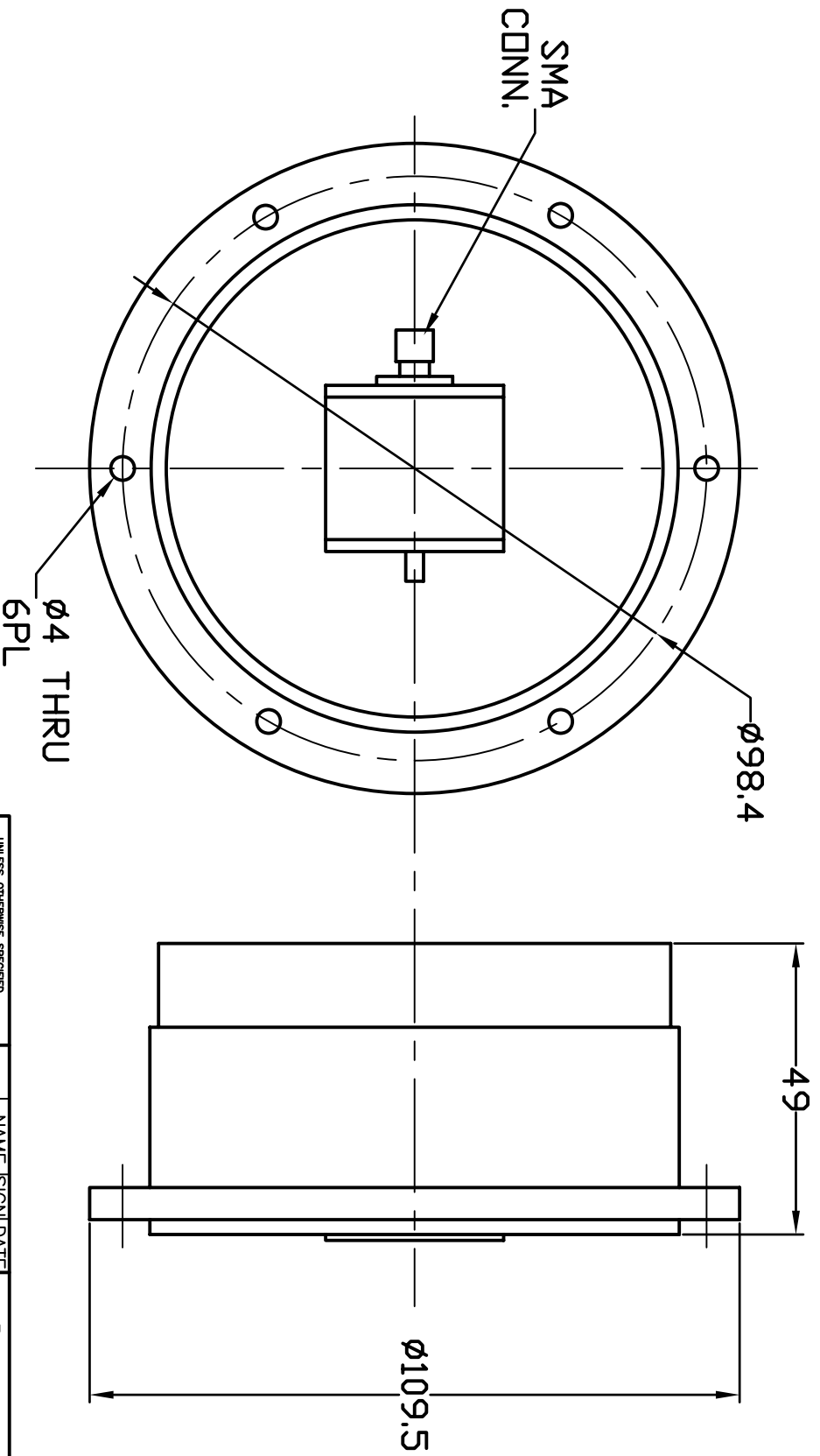


THIS DOCUMENT AND THE INFORMATION CONTAINED IN IT ARE PROPRIETARY AND CONFIDENTIAL TO M.T.I. NO PERSON IS ALLOWED TO COPY, REPRINT, REPRODUCE OR PUBLISH ANY PART OF THIS DOCUMENT, NOR DISCLOSE ITS CONTENTS TO OTHERS, NOR MAKE ANY USE OF IT, NOR ALLOW OR ASSIST OTHERS TO MAKE ANY USE OF IT - UNLESS BY THE PRIOR WRITTEN EXPRESS AUTHORIZATION OF M.T.I. AND THEN ONLY TO EXTENT AUTHORIZED. (C) COPYRIGHT - M.T.I. WIRELESS EDGE LTD.



SHEET REVISION STATUS			
5	4	3	2
			1
			A
			LATEST REV

REVISION RECORD			
REV	ECO	DESCRIPTION	DATE
A	CY32	RELEASED	22.10.07

MT-4030	NEXT ASSY
---------	-----------

UNLESS OTHERWISE SPECIFIED		DIMENSIONS ARE IN mm.	
TOLERANCE		PER ANSI Y14.5M-1994	
LINEAR	ANGULAR	CHKD	NAME
/	/	GULLER	Yael
1st. ANGLE PROJECTION		DSGN	SIGN DATE
		PROJ	18.9.07
SURFACE TEXTURE IN IN.		MFG	
		Q.A.	
TITLE		M.T.I. WIRELESS EDGE LTD.	
MT-4030 ICD		RD42273500M	
SCALE 1:1		SHEET 1 OF 1	