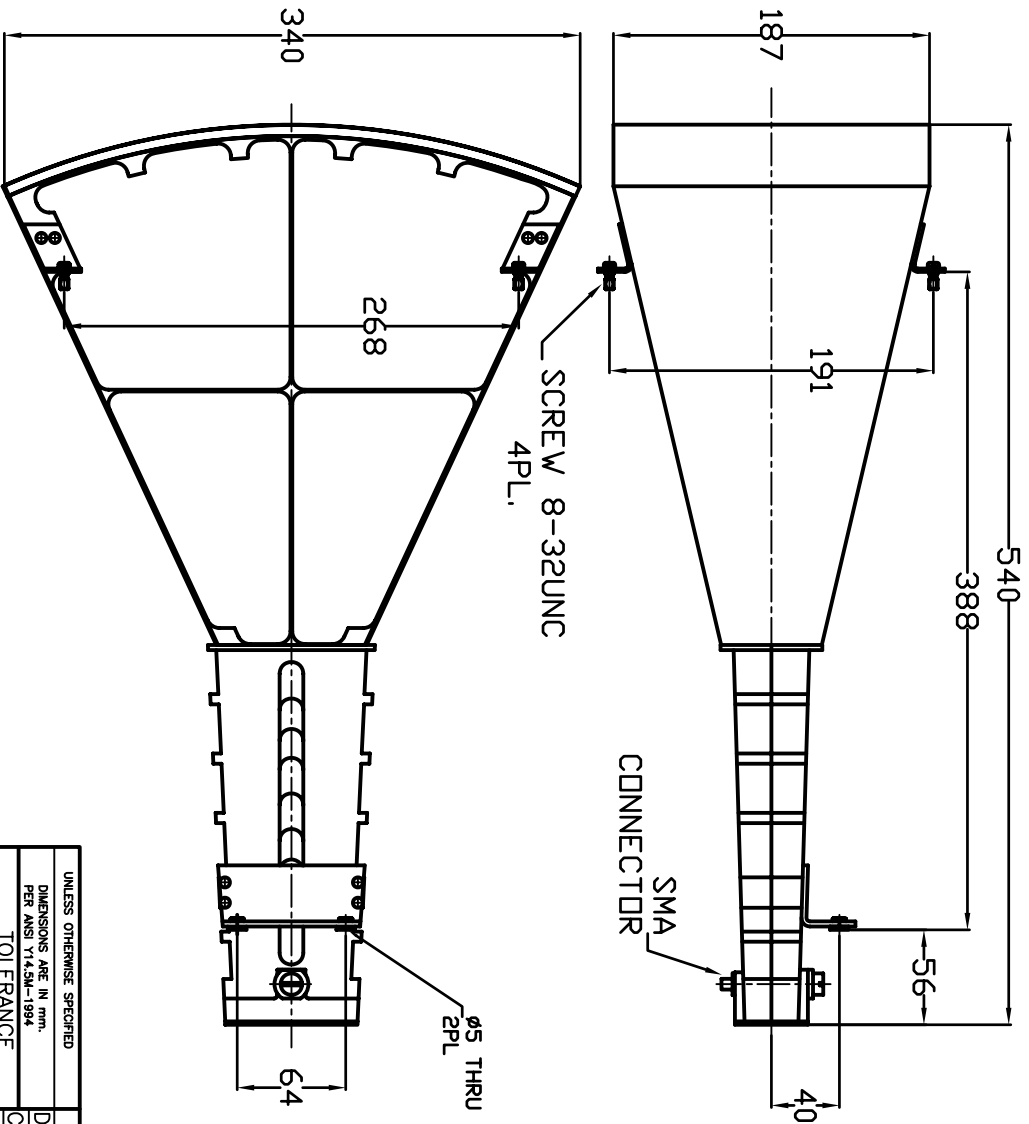


THIS DOCUMENT AND THE INFORMATION CONTAINED IN IT ARE PROPRIETARY AND CONFIDENTIAL TO M.T.I. NO PERSON IS ALLOWED TO COPY, REPRINT, REPRODUCE OR PUBLISH ANY PART OF THIS DOCUMENT, NOR DISCLOSE ITS CONTENTS TO OTHERS, NOR MAKE ANY USE OF IT, NOR ALLOW OR ASSIST OTHERS TO MAKE ANY USE OF IT - UNLESS BY THE PRIOR WRITTEN EXPRESS AUTHORIZATION OF M.T.I. AND THEN ONLY TO EXTENT AUTHORIZED. (C) COPYRIGHT - M.T.I. WIRELESS EDGE LTD.



SHEET REVISION STATUS				
5	4	3	2	1
				LATEST REV

REVISION RECORD			
REV	ECO	DESCRIPTION	DATE

UNLESS OTHERWISE SPECIFIED		NAME		SIGN		DATE	
DIMENSIONS ARE IN mm. PER ANSI Y14.5M-1994		DWG	Yael	Yael	11.08		
TOLERANCE		CHKD	GILLER	HG	11.08		
LINEAR		DSGN	GILLER	HG	11.08		
ANGULAR		PROJ					
1st. ANGLE PROJECTION		MFG					
SURFACE TEXTURE IN IN.		Q.A.					
MT-6025/1		TITLE: WIRELESS EDGE LTD. MT-6025/1 ICD					
NEXT ASSY		SIZE: A3 SCALE: /					
		DWG NO: RD42391500M					
		SHEET 1 OF 1					