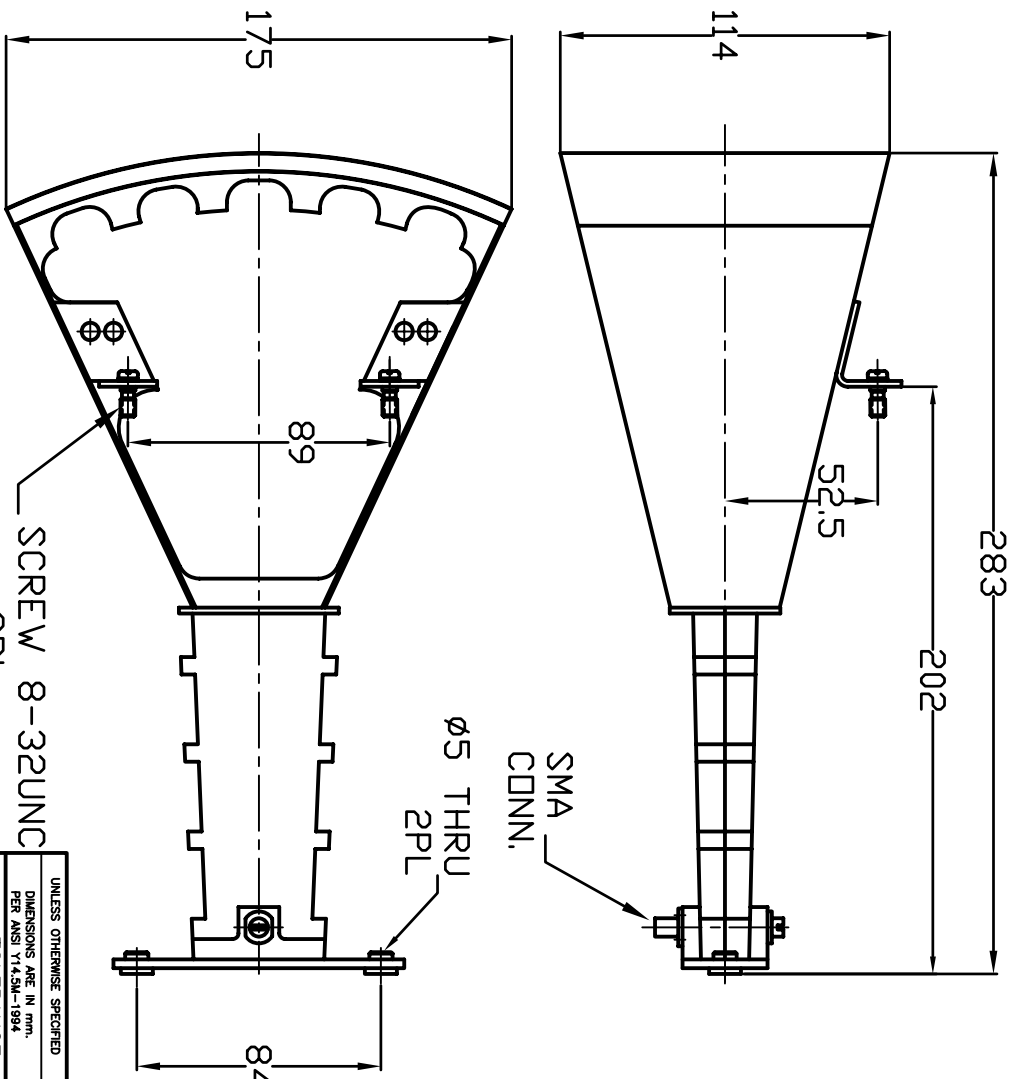


THIS DOCUMENT AND THE INFORMATION CONTAINED IN IT ARE PROPRIETARY AND CONFIDENTIAL TO M.T.I. NO PERSON IS ALLOWED TO COPY, REPRINT, REPRODUCE OR PUBLISH ANY PART OF THIS DOCUMENT, NOR DISCLOSE ITS CONTENTS TO OTHERS, NOR MAKE ANY USE OF IT, NOR ALLOW OR ASSIST OTHERS TO MAKE ANY USE OF IT - UNLESS BY THE PRIOR WRITTEN EXPRESS AUTHORIZATION OF M.T.I. AND THEN ONLY TO EXTENT AUTHORIZED. (C) COPYRIGHT - M.T.I. WIRELESS EDGE LTD.



SCREW 8-32UNC  
2PPL.

SHEET REVISION STATUS				
5	4	3	2	1
				SHEET NO
				LATEST REV

REVISION RECORD			
REV	ECO	DESCRIPTION	DATE

UNLESS OTHERWISE SPECIFIED		NAME		SIGN DATE	
DIMENSIONS ARE IN MM. PER ANSI Y14.5M-1994		DWG	YVEL	YVEL	11.08
TOLERANCE		CHKD	GULLER	HUG	11.08
LINEAR		CHGD	GULLER	HUG	11.08
ANGULAR		DSGN	GULLER	HUG	11.08
1st. ANGLE PROJECTION		PROJ	GULLER	HUG	11.08
SURFACE TEXTURE IN IN.		MFG			
		Q.A.			

<b>MH</b> WIRELESS EDGE LTD.	
TITLE	MT-6025/2 ICD
	4-8GHZ
SIZE	A3
DWG NO	RD42391600M
SCALE	/
SHEET	1 OF 1