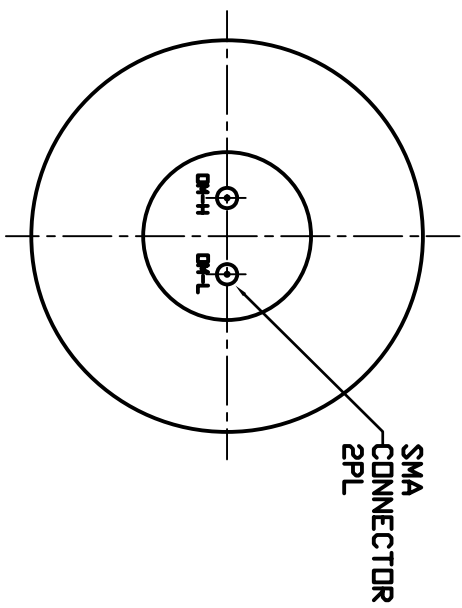
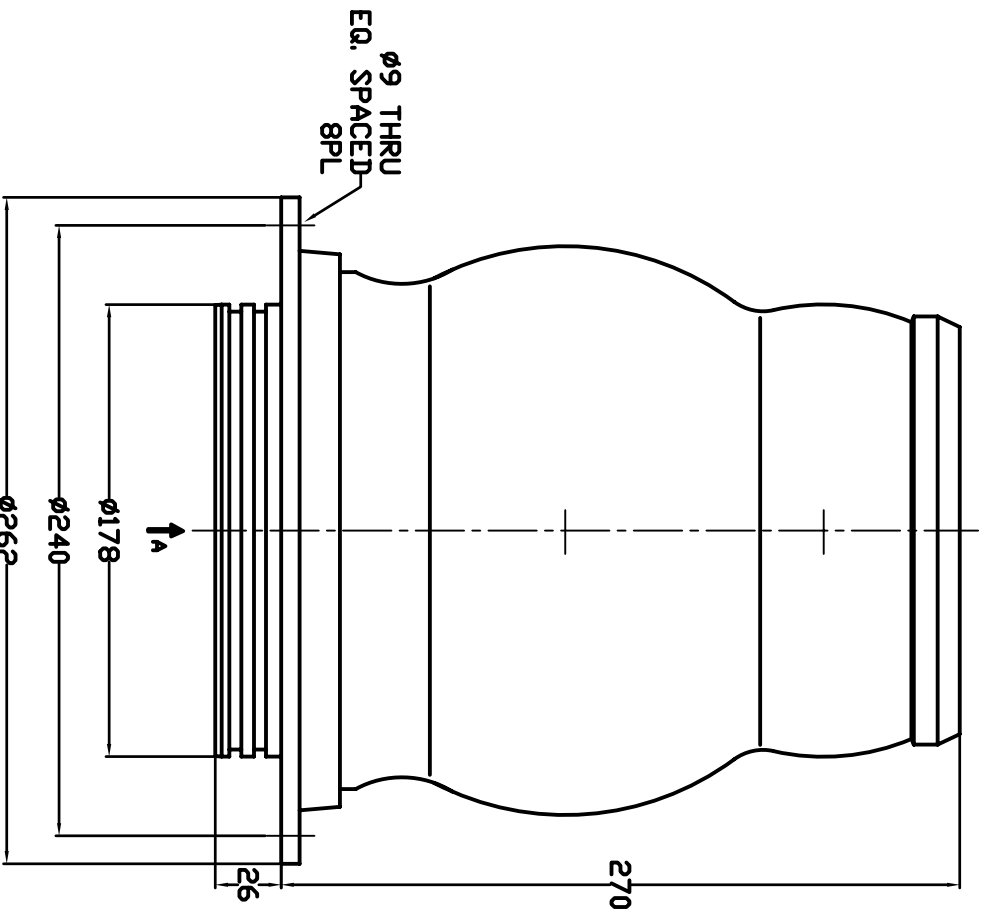


THIS DOCUMENT AND THE INFORMATION CONTAINED IN IT ARE PROPRIETARY AND CONFIDENTIAL TO M.T.I. NO PERSON IS ALLOWED TO COPY, REPRINT, REPRODUCE OR PUBLISH ANY PART OF THIS DOCUMENT, NOR DISCLOSE ITS CONTENTS TO OTHERS, NOR MAKE ANY USE OF IT, NOR ALLOW OR ASSIST OTHERS TO MAKE ANY USE OF IT - UNLESS BY THE PRIOR WRITTEN EXPRESS AUTHORIZATION OF M.T.I. AND THEN ONLY TO EXTENT AUTHORIZED. (C) COPYRIGHT - M.T.I. WIRELESS EDGE LTD.



DWS NO		SH 1	
<b>SHEET REVISION STATUS</b>			
5	4	3	2
			1
			A
			LATEST REV
REV		ECO	RELEASED
A	CY38	RELEASED	YAEI H.
DESCRIPTION		APVD	DATE
			24.10.07

MT-7025	NEXT ASSY
---------	-----------

UNLESS OTHERWISE SPECIFIED		NAME		SIGN DATE	
DIMENSIONS ARE IN mm.		DWG	YAEI	YAEI	24.10.07
PER ANSI Y14.5M-1994		CHKD	YAEI	YAEI	24.10.07
TOLERANCE		CHKD	YAEI	YAEI	24.10.07
LINEAR		DSGN	YAEI	YAEI	24.10.07
ANGULAR		PROJ	YAEI	YAEI	24.10.07
1st. ANGLE PROJECTION		MFG	YAEI	YAEI	24.10.07
SURFACE TEXTURE IN IN.		Q.A.	YAEI	YAEI	24.10.07
TITLE		M.T.I.		WIRELESS EDGE LTD.	
MT-7025 ICD		RD42271600M		SHEET 1 OF 1	
SIZE		A3		SCALE /	