

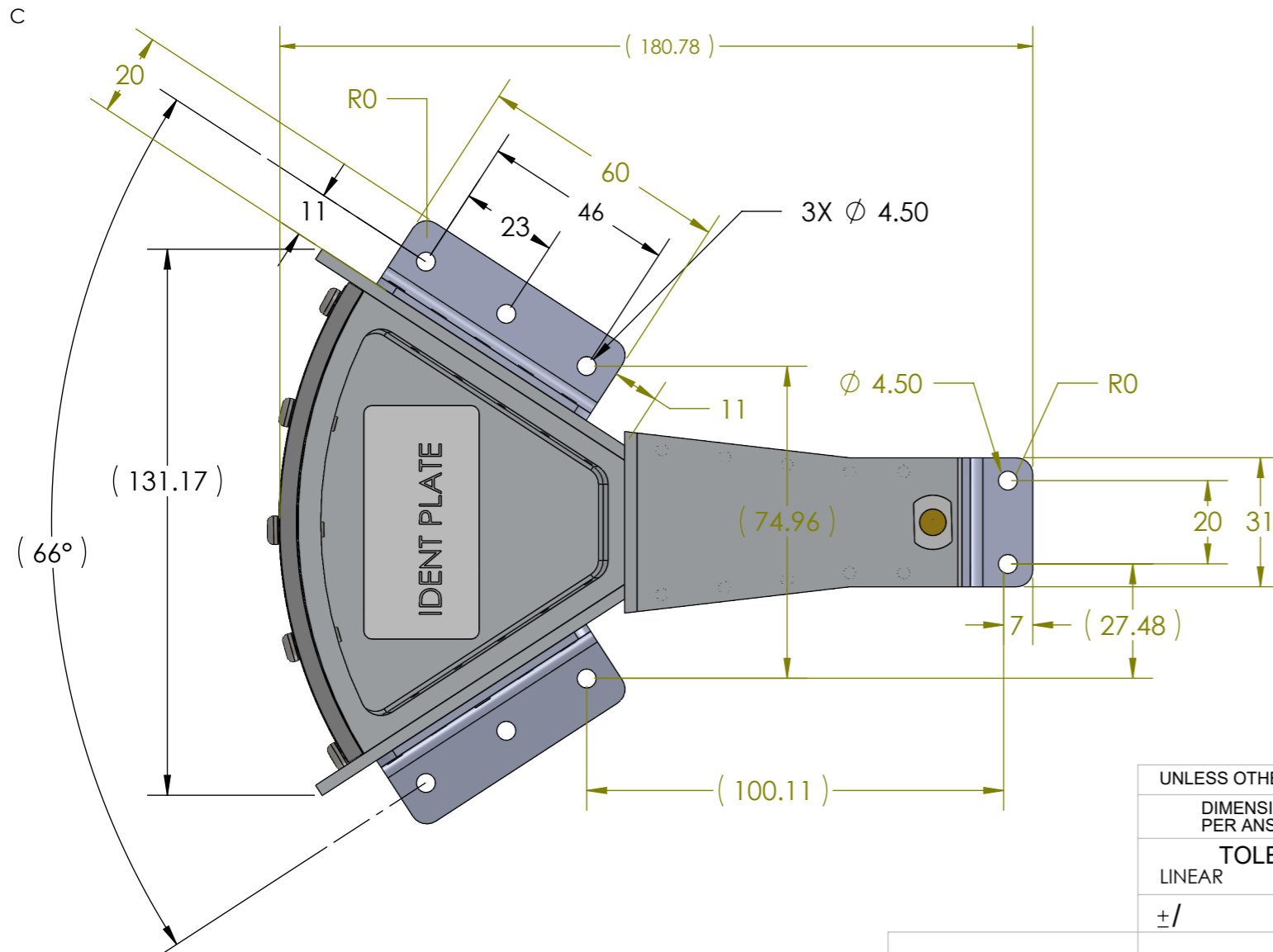
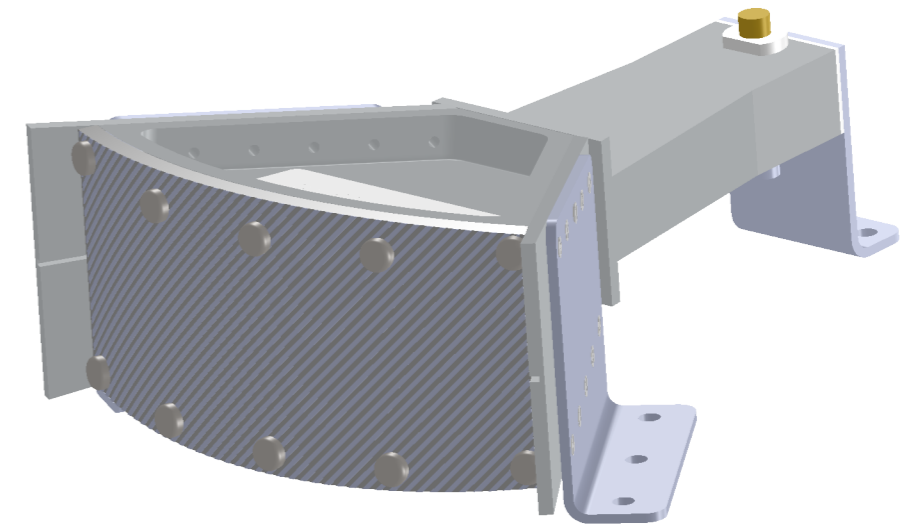
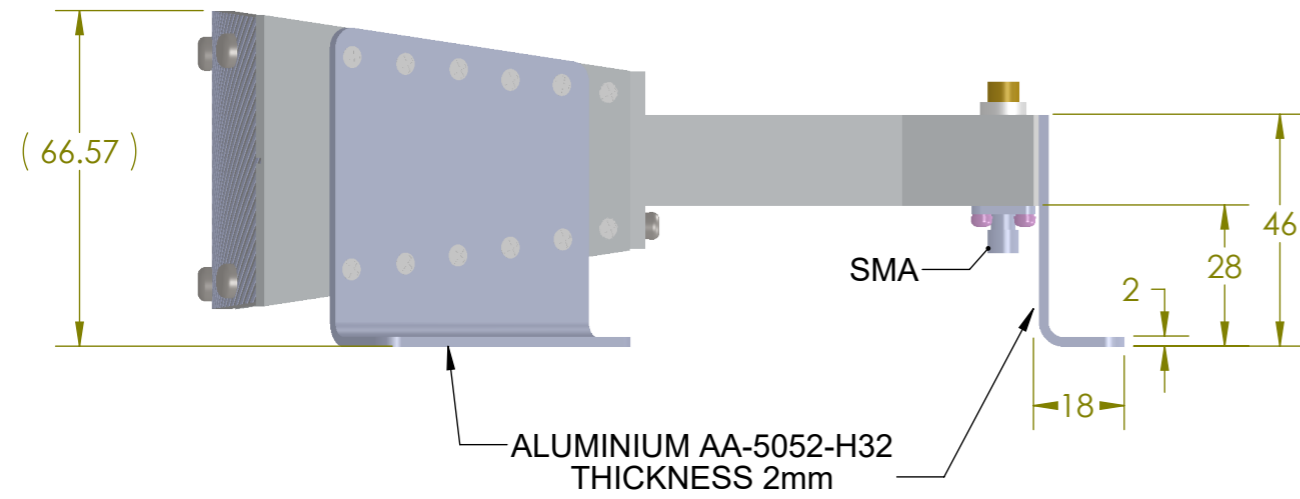
THIS DOCUMENT AND THE INFORMATION CONTAINED IN IT ARE PROPRIETARY AND CONFIDENTIAL TO M.T.I. NO PERSON IS ALLOWED TO COPY, REPRINT, REPRODUCE OR PUBLISH ANY PART OF THIS DOCUMENT, NOR DISCLOSE ITS CONTENTS TO OTHERS, NOR MAKE ANY USE OF IT, NOR ALLOW OR ASSIST OTHERS TO MAKE ANY USE OF IT - UNLESS BY THE PRIOR WRITTEN EXPRESS AUTHORIZATION OF M.T.I. AND THEN ONLY TO EXTENT AUTHORIZED. (C) COPYRIGHT - M.T.I. WIRELESS EDGE LTD.

SHEET REVISION STATUS

5	4	3	2	1	SHEET NO
				A	LATEST REV

DESCRIPTION

REV	ECO	REVISION RECORD	APVD	DATE
01		ADD DIMENSIONS	GILLER	25.7.10
A	DC73	RELEASED	Yael H.	12.9.10



UNLESS OTHERWISE SPECIFIED		CONTRACT TO			
DIMENSIONS ARE IN mm PER ANSI Y14.5M-1994		DWG	Yael	Yael	12.9.10
TOLERANCE		CHKD	Y.MILLER	Y.M	12.9.10
LINEAR	ANGULAR	DSGN	ROSTMY	M.R	12.9.10
±/	± °	PROJ	ROSTMY	M.R	12.9.10
		MFG			
SURFACE TEXTURE IN MICRO IN.		QA	MICHAG.	M.G	12.9.10

Mti WIRELESS EDGE LTD.

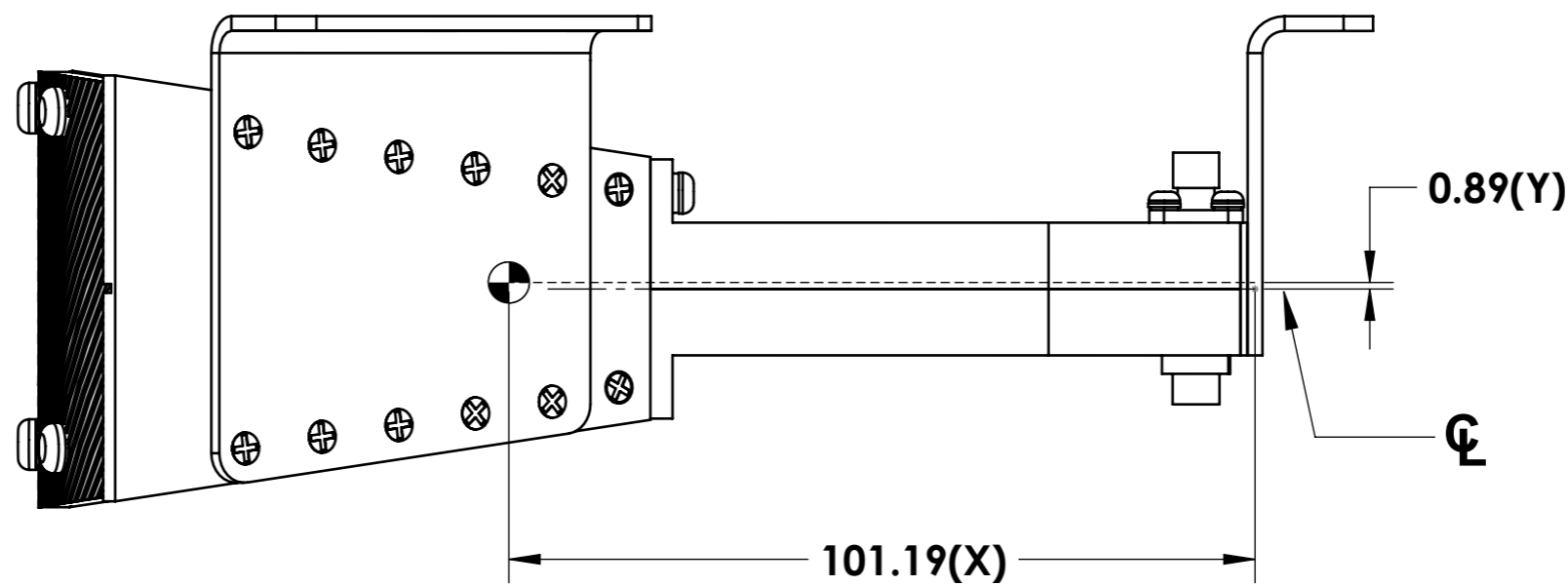
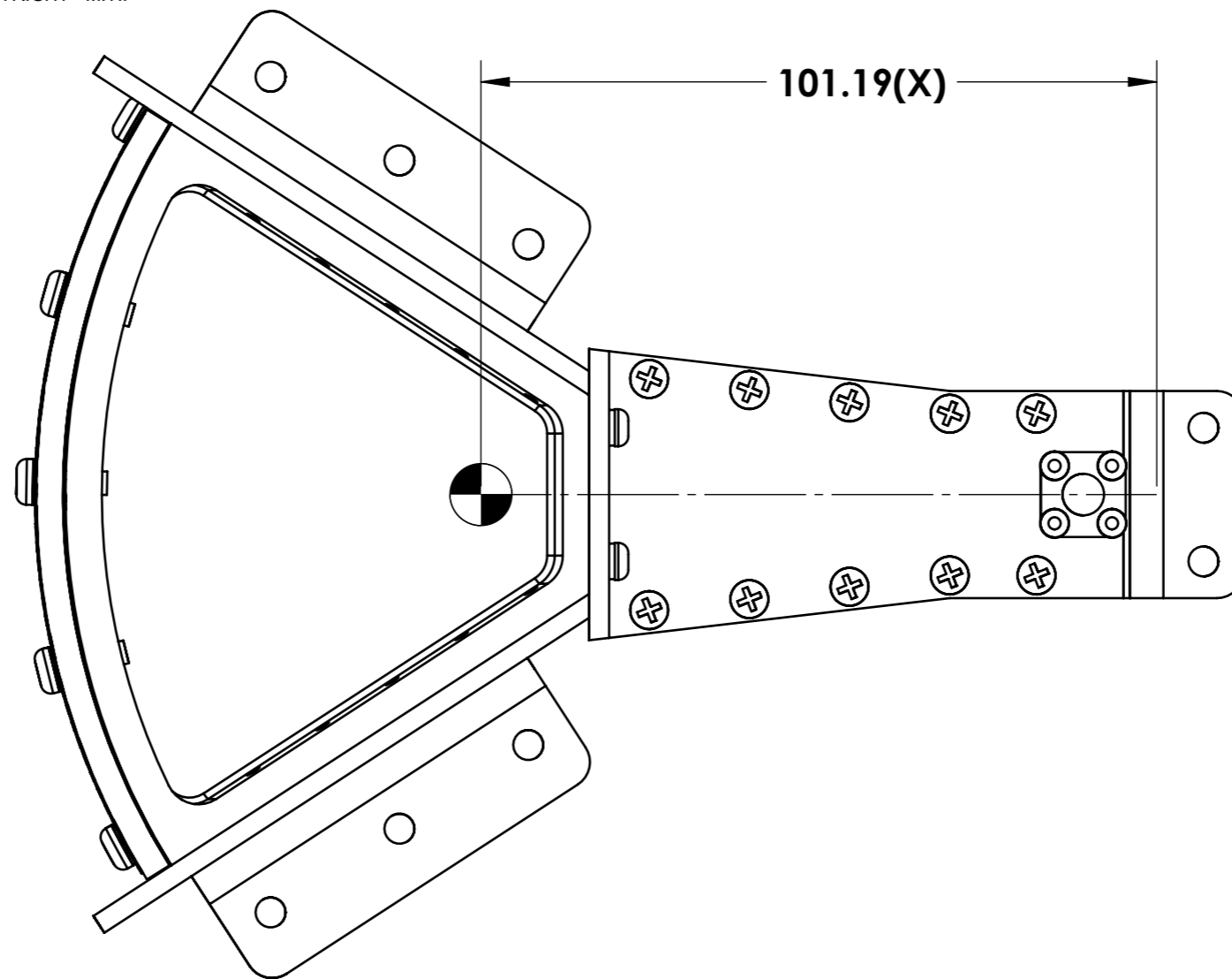
TITLE ANTENNA 6-18GHz - ICD MT-809520/S

SIZE A3 DWG NO RD43074200M

SCALE- 1:1.5 SHEET 1 OF 2

NEXT ASSY

THIS DOCUMENT AND THE INFORMATION CONTAINED IN IT ARE PROPRIETARY AND CONFIDENTIAL TO M.T.I NO PERSON IS ALLOWED TO COPY, REPRINTREPRODUCE OR PUBLISH ANY PART OF THIS DOCUMENT, NOR DISCLOSE ITS CONTENTS TO OTHERS, NOR MAKE ANY USE OF IT, NOR ALLOW OR ASSIST OTHERS TO MAKE ANY USE OF IT - UNLESS BY THE PRIOR WRITTEN EXPRESS AUTHORIZATION OF M.T.I AND THEN ONLY TO EXTENT AUTHORIZED. (C) COPYRIGHT - M.T.I WIRELESS EDGE LTD.



SIZE A3	Rev--	DWG NO	RD43074200M
SCALE- 1:1		SHEET 2 OF 2	