

THIS DOCUMENT AND THE INFORMATION CONTAINED IN IT ARE PROPRIETARY AND CONFIDENTIAL TO M.T.I. NO PERSON IS ALLOWED TO COPY, REPRINT, REPRODUCE OR PUBLISH ANY PART OF THIS DOCUMENT, NOR DISCLOSE ITS CONTENTS TO OTHERS, NOR MAKE ANY USE OF IT, NOR ALLOW OR ASSIST OTHERS TO MAKE ANY USE OF IT - UNLESS BY THE PRIOR WRITTEN EXPRESS AUTHORIZATION OF M.T.I. AND THEN ONLY TO EXTENT AUTHORIZED. (C) COPYRIGHT - M.T.I. WIRELESS EDGE LTD.

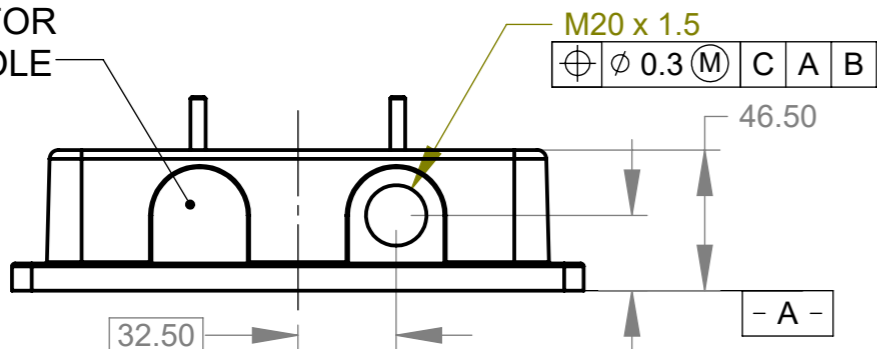
SHEET REVISION STATUS

5	4	3	2	1	SHEET NO
				C	LATEST REV

DESCRIPTION

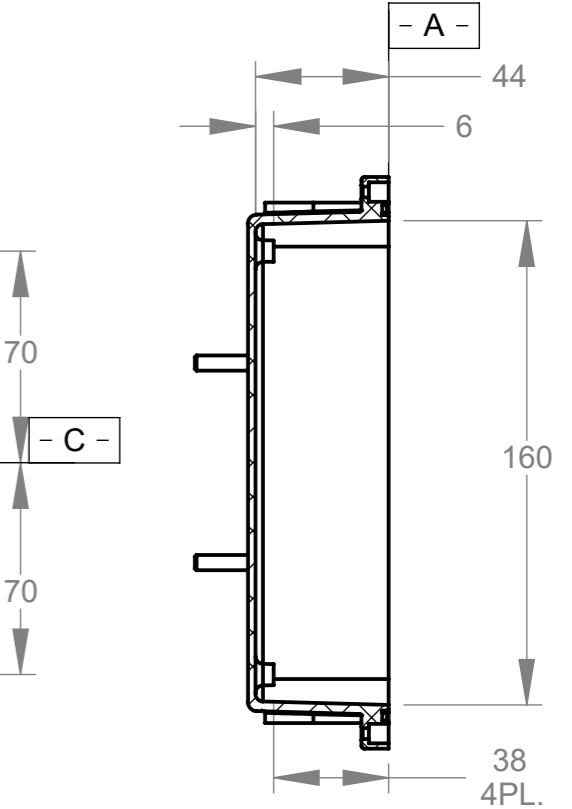
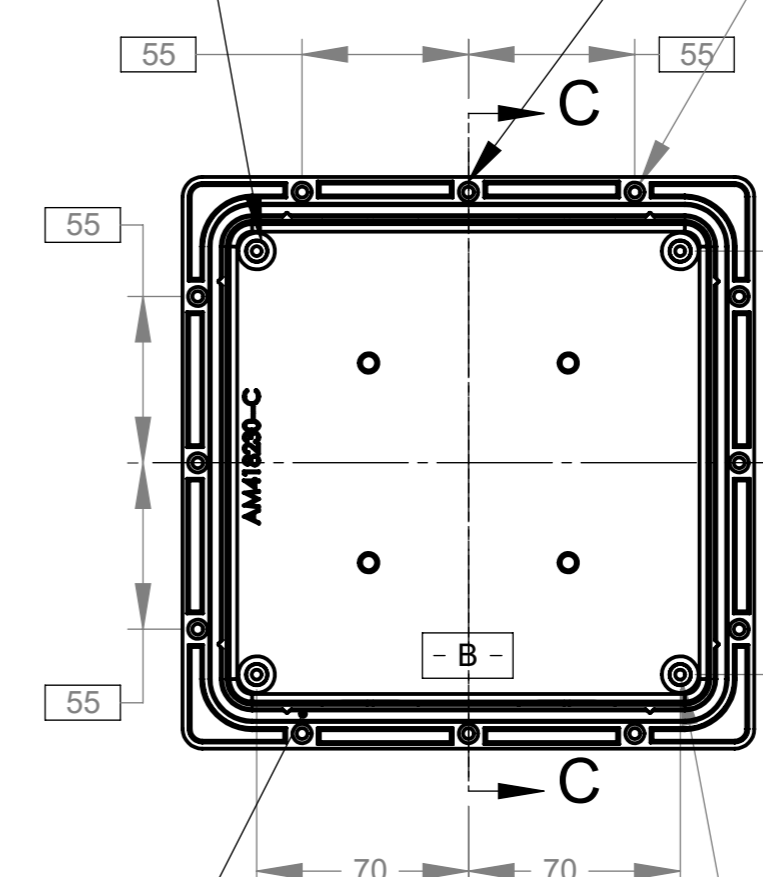
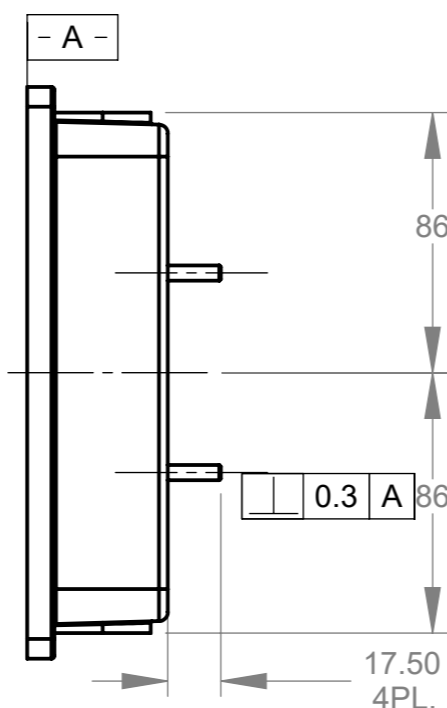
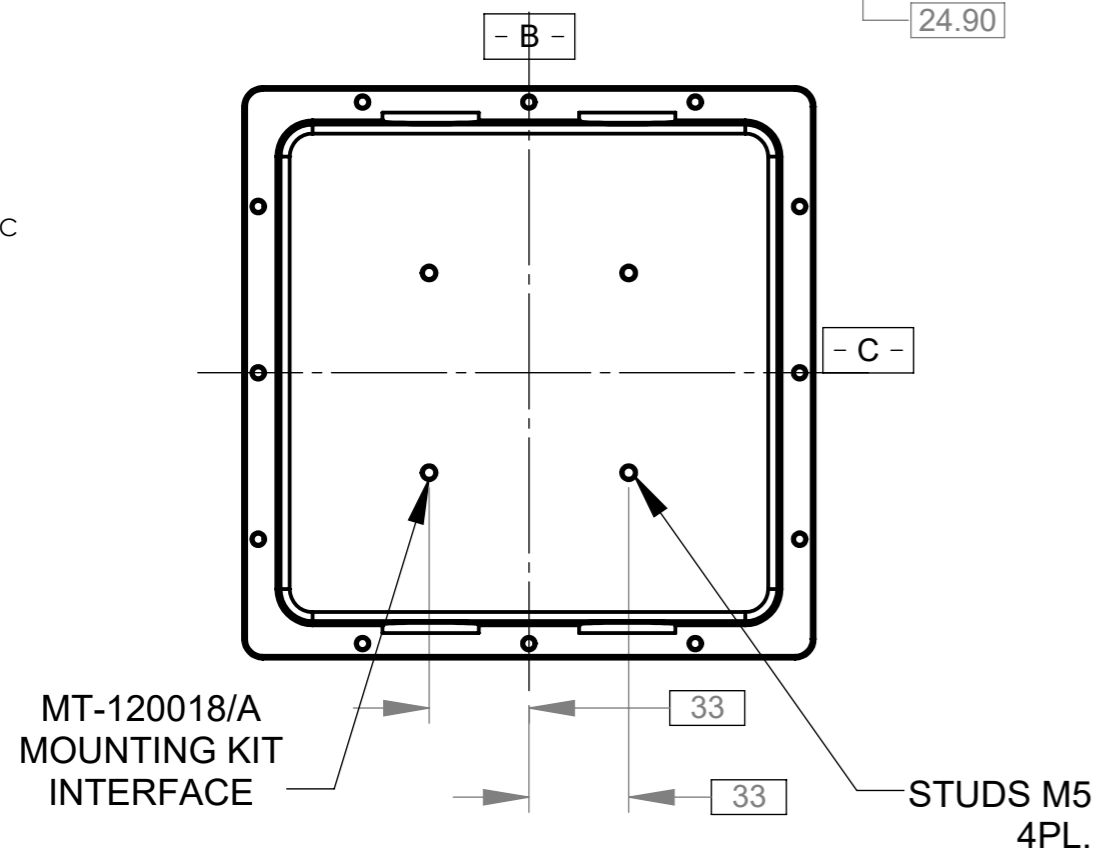
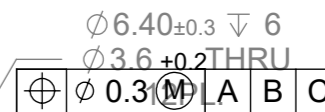
REV	ECO	REVISION RECORD	APVD	DATE
A	CW03	RELEASED	Yael H.	27.6.06
B	1548	מעבר מעיבוד שבבי ליציקה	Yael H.	6.11.06
C	7493	UPDATE THE MODELE ACCORDING TO THE PRODUCT	Yael H.	24.6.15

LOCATION FOR SECOND HOLE



ADAPTING PLATE MOUNTING THREADS 4PL.

ANTENNA ASSEMBLY HOLES



- NOTES:**
- MATERIAL: ALUIMINUM CASTING**
  - PAINT: EXTERNAL SURFACES ARE PAINTED. COLOR - RAL 9002**

ALL DIMENSION ARE FOR REFERENCE

UNLESS OTHERWISE SPECIFIED	CONTRACT TO			
DIMENSIONS ARE IN mm PER ANSI Y14.5M-1982	DWG	Yael	Yael	26.6.06
TOLERANCE	CHKD			
LINEAR	DSGN	ILAN V.	I.V.	26.3.06
ANGULAR	PROJ	ILAN V.	I.V.	26.6.06
±/	MFG			
	QA	GILLER	H.G	26.6.06

**Mti** WIRELESS EDGE LTD.

TITLE **MT-900016 ICD**

SIZE A3 DWG NO RD41777800C

SCALE- 1:2.5 SHEET 1 OF 1

MT-900016  
NEXT ASSY