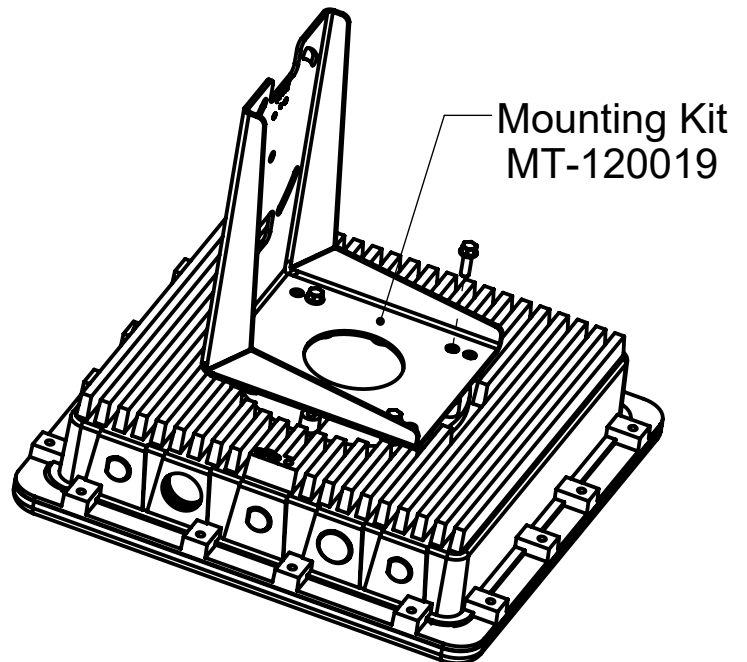
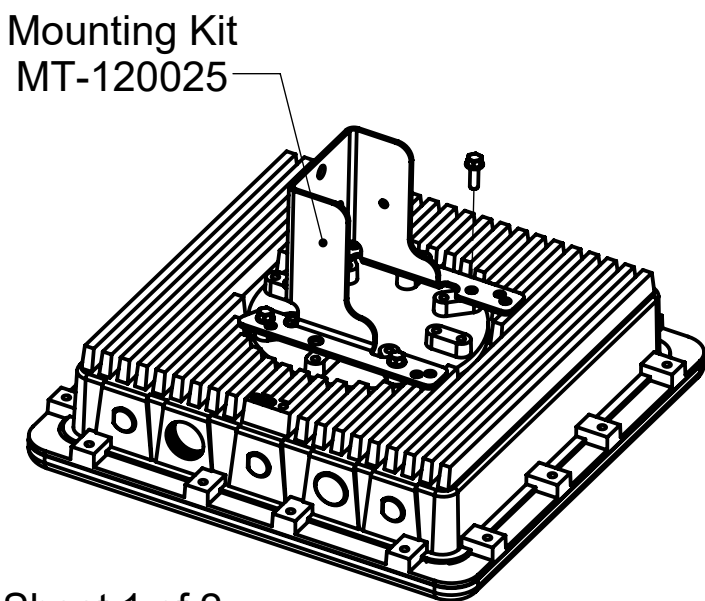
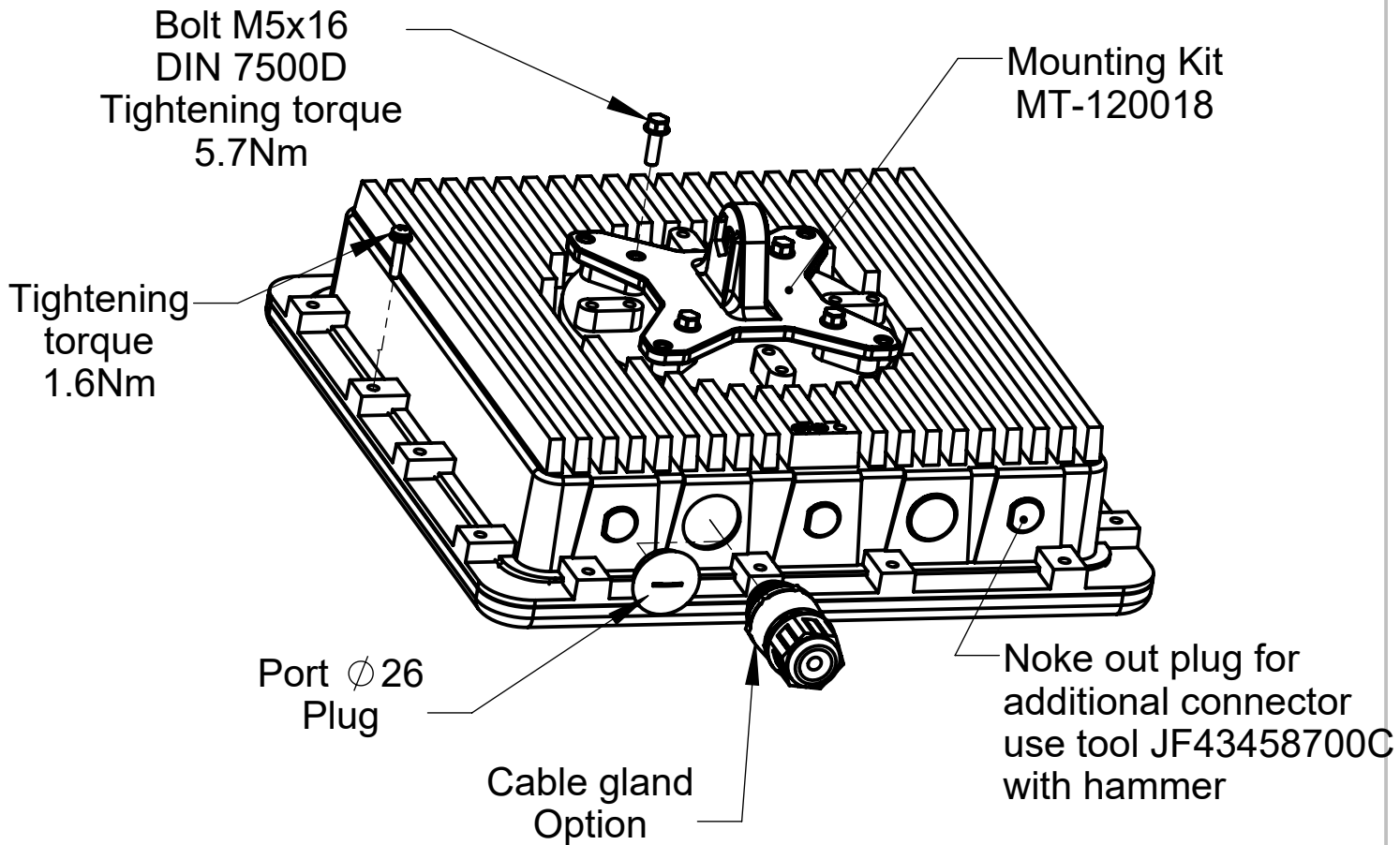




## Enclosure Installation Instructions



Screw DIN7500 M4 Deep 7.5  
Tightening torque 2.7Nm  
Use pozidrive bit No. 2

Use RTV around the  
seal wire on the  
point of connection

Antenna/Radio seal  
insert the wider side  
to enclosure groove

Spacer pre-mounting foot

