

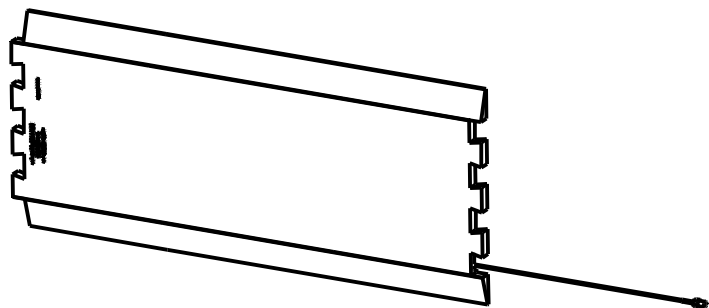
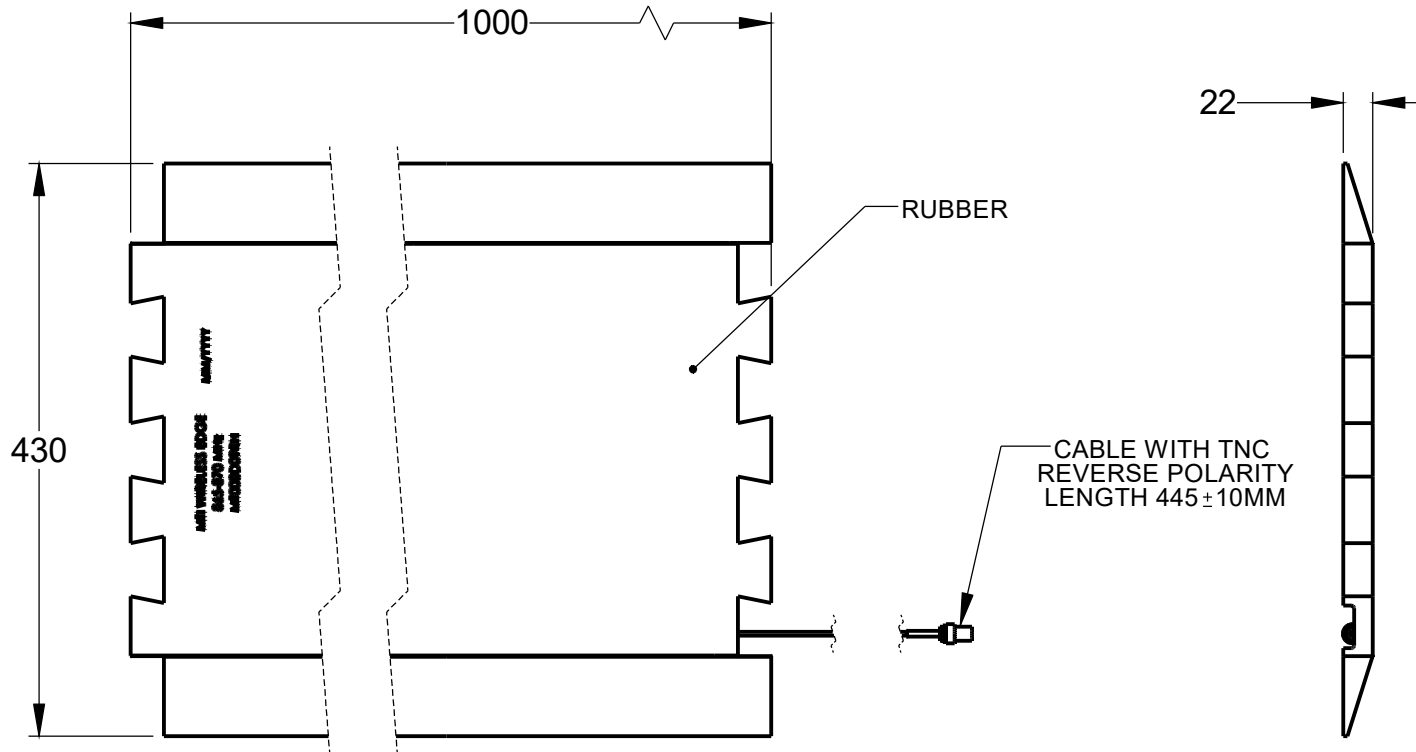
THIS DOCUMENT AND THE INFORMATION CONTAINED IN IT ARE PROPRIETARY AND CONFIDENTIAL TO M.T.I NO PERSON IS ALLOWED TO COPY, REPRINT REPRODUCE OR PUBLISH ANY PART OF THIS DOCUMENT, NOR DISCLOSE ITS CONTENTS TO OTHERS, NOR MAKE ANY USE OF IT, NOR ALLOW OR ASSIST OTHERS TO MAKE ANY USE OF IT - UNLESS BY THE PRIOR WRITTEN EXPRESS AUTHORIZATION OF M.T.I AND THEN ONLY TO EXTENT AUTHORIZED. (C) COPYRIGHT - M.T.I WIRELESS EDGE LTD.

**SHEET REVISION STATUS**

5	4	3	2	1	SHEET NO
				A	LATEST REV

**REVISIONS**

REV.	ECO	DESCRIPTION	DATE	APPROVED
A	DJ72	RELEASED	1/5/19	Yael H.



UNLESS OTHERWISE SPECIFIED  
DIMENSIONS ARE IN mm  
PER ANSI Y14.5M-1982

TOLERANCE	
LINEAR	ANGULAR
± 1	± / °



CONTRACT TO			
DWG	Yael	Yael	28.4.19
CHKD	MICHAEL	M.H	29.4.19
DSGN			
PROJ	ROSTMY	M.R	1.5.19
MFG			
QA	MICHA G.	M.G	1.5.19

<b>Mti</b> WIRELESS EDGE LTD.	
TITLE ANTENNA 865-870MHz MT008D09RH ICD	
SIZE A3	DWG NO RD44420000C
SCALE- 1:4	SHEET 1 OF 1

MT008D09RH  
ANTENNA P/N