

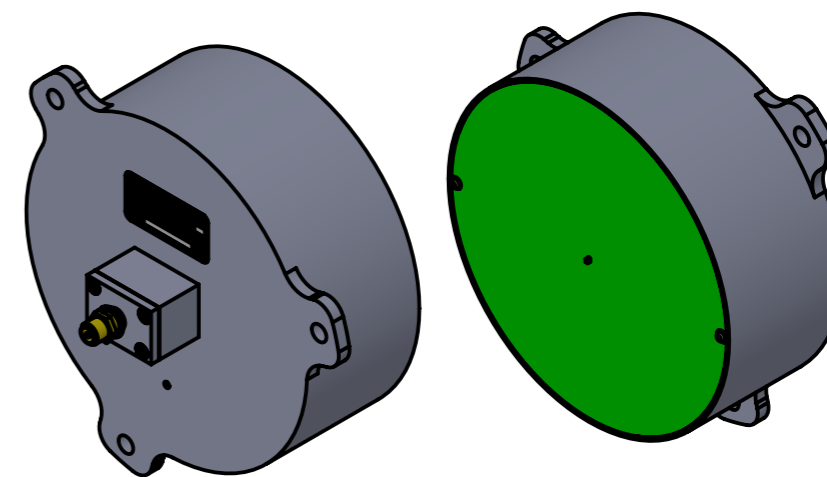
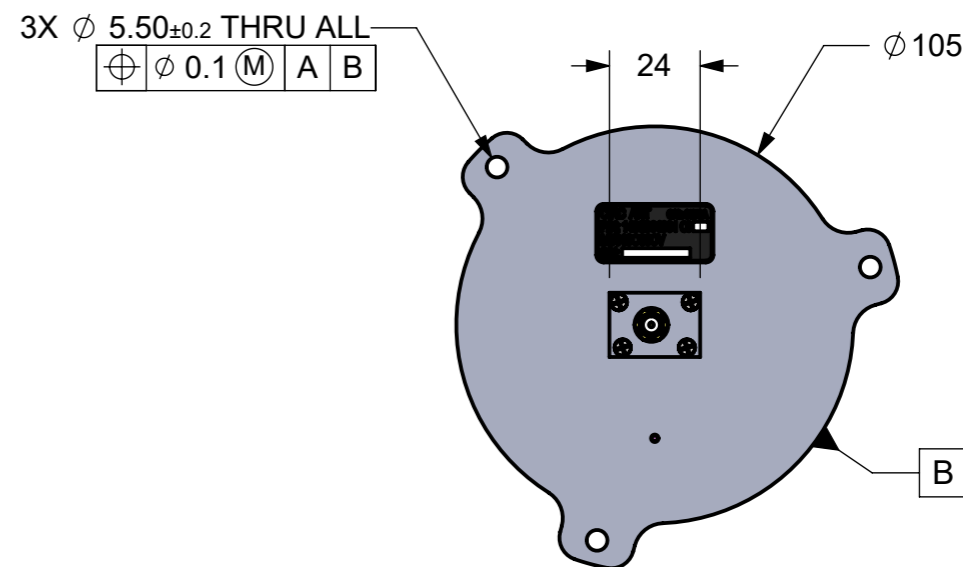
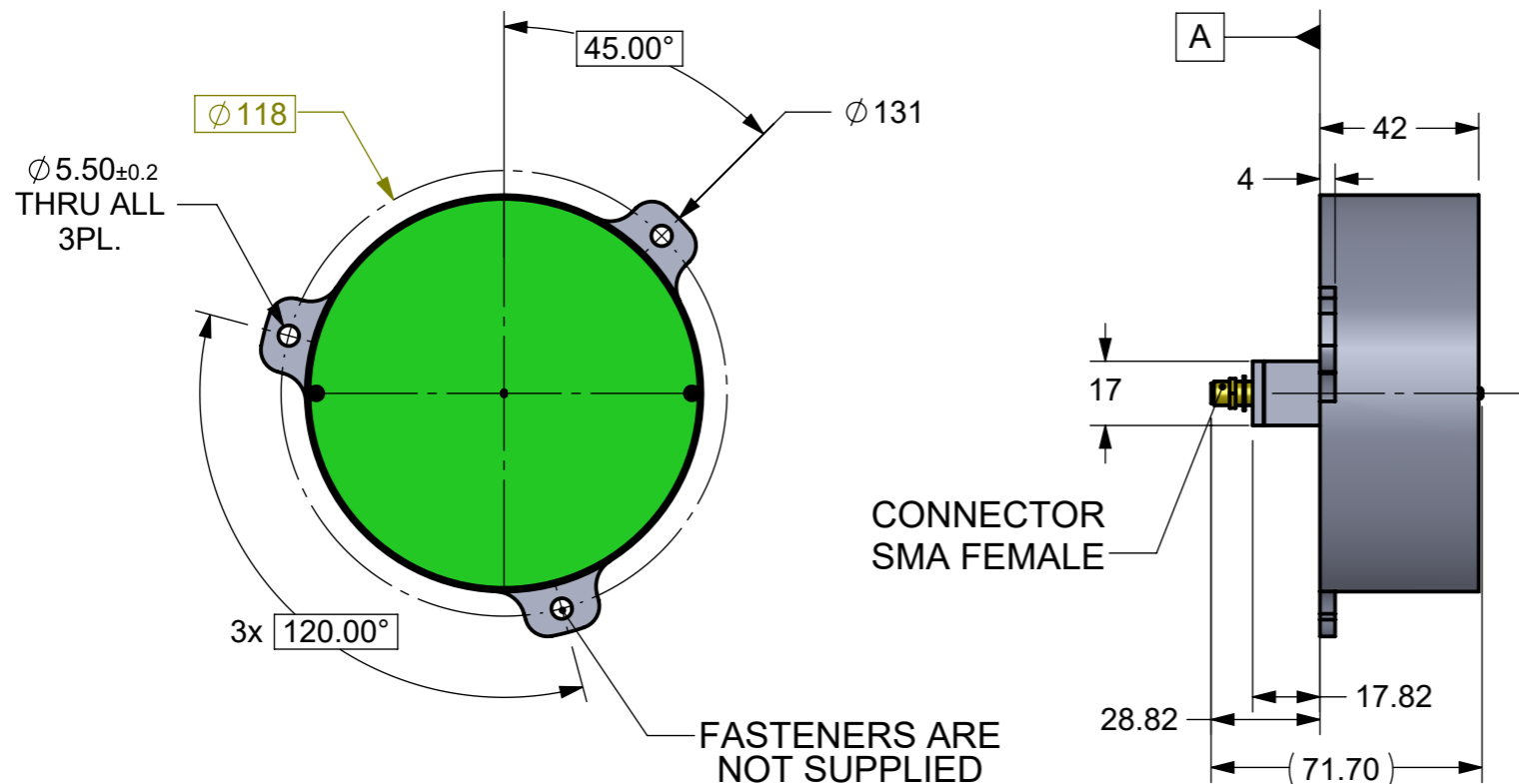
THIS DOCUMENT AND THE INFORMATION CONTAINED IN IT ARE PROPRIETARY AND CONFIDENTIAL TO M.T.I. NO PERSON IS ALLOWED TO COPY, REPRINT REPRODUCE OR PUBLISH ANY PART OF THIS DOCUMENT, NOR DISCLOSE ITS CONTENTS TO OTHERS, NOR MAKE ANY USE OF IT, NOR ALLOW OR ASSIST OTHERS TO MAKE ANY USE OF IT - UNLESS BY THE PRIOR WRITTEN EXPRESS AUTHORIZATION OF M.T.I. AND THEN ONLY TO EXTENT AUTHORIZED. (C) COPYRIGHT - M.T.I. WIRELESS EDGE LTD.

SHEET REVISION STATUS

5	4	3	2	1	SHEET NO
				B	LATEST REV

REVISIONS

REV.	ECO	DESCRIPTION	DATE	APPROVED
01		CHANGE SPIRAL CONCEPT	12-07-20	
02		UPDATE ANTENNA DEPTH	19-07-20	
03		ADD TOLERANCE TO MOUNTING BRACKET	23-07-20	
A	DK37	RELEASED	21.12.20	Yael H.
B	9402	ADD DIM. $\phi 5.5$ 3PL.	2.1.22	Yael H.



NOTES:

- ELECTRONIC PERFORMANCE IS ACCORDING TO RD44558600M
- MATERIAL OF ANTENNA BASE: AL6061-T6.
- COATING OF ANTENNA BASE: ALODINE PER MIL-DTL-5541 CLASS 3 COLOR YELLOW.
- ANTENNA WEIGHT: 265 ± 30 [g].
- MOUNTING FASTENERS ARE NOT SUPPLIED.

INSTALLATION NOTES:

- MOUNTING SURFACE SHALL BE ELECTRICAL CONDUCTIVE.

MT010006CV

ANTENNA P/N

UNLESS OTHERWISE SPECIFIED

DIMENSIONS ARE IN mm PER ANSI Y14.5M-1982

TOLERANCE	
LINEAR	ANGULAR
± 0.5	$\pm 1^\circ$



SURFACE TEXTURE IN MICRO IN.

CONTRACT TO

DWG	Yael	Yael	9.12.20
CHKD			
DSGN	YINON S.	Y.S	14.12.20
PROJ	YINON S.	Y.S	14.12.20
MFG			
QA	MICHA G.	M.G	14.12.20



WIRELESS EDGE LTD.

TITLE

ANTENNA 2-18GHz
MT010006CV ICD

SIZE
A3

DWG NO

RD44599300M

SCALE- 1:2

SHEET 1 OF 1