

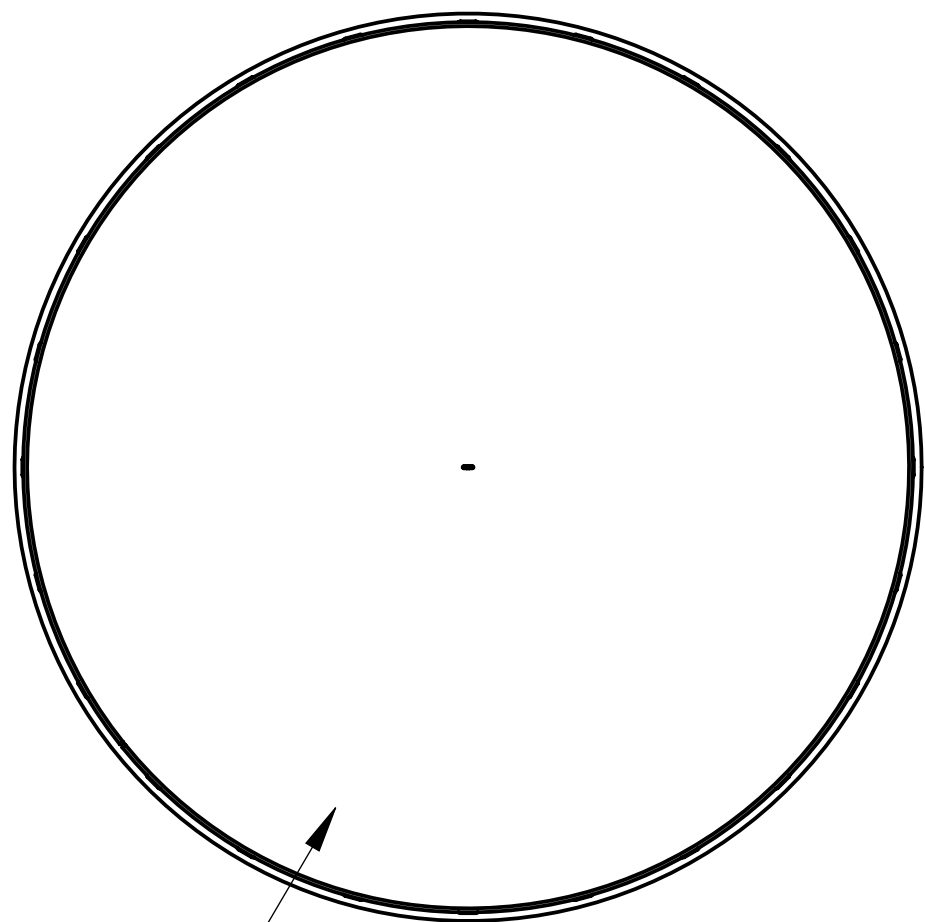
THIS DOCUMENT AND THE INFORMATION CONTAINED IN IT ARE PROPRIETARY AND CONFIDENTIAL TO M.T.I NO PERSON IS ALLOWED TO COPY, REPRINT REPRODUCE OR PUBLISH ANY PART OF THIS DOCUMENT, NOR DISCLOSE ITS CONTENTS TO OTHERS, NOR MAKE ANY USE OF IT, NOR ALLOW OR ASSIST OTHERS TO MAKE ANY USE OF IT - UNLESS BY THE PRIOR WRITTEN EXPRESS AUTHORIZATION OF M.T.I AND THEN ONLY TO EXTENT AUTHORIZED. (C) COPYRIGHT - M.T.I WIRELESS EDGE LTD.

SHEET REVISION STATUS

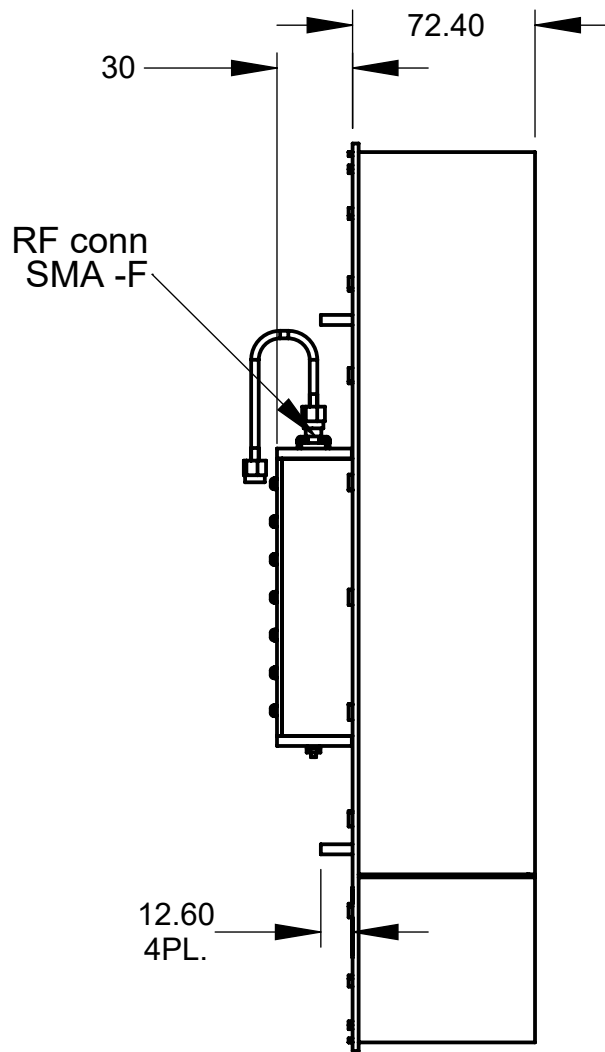
5	4	3	2	1	SHEET NO
					LATEST REV

REVISIONS

REV.	ECO	DESCRIPTION	DATE	APPROVED



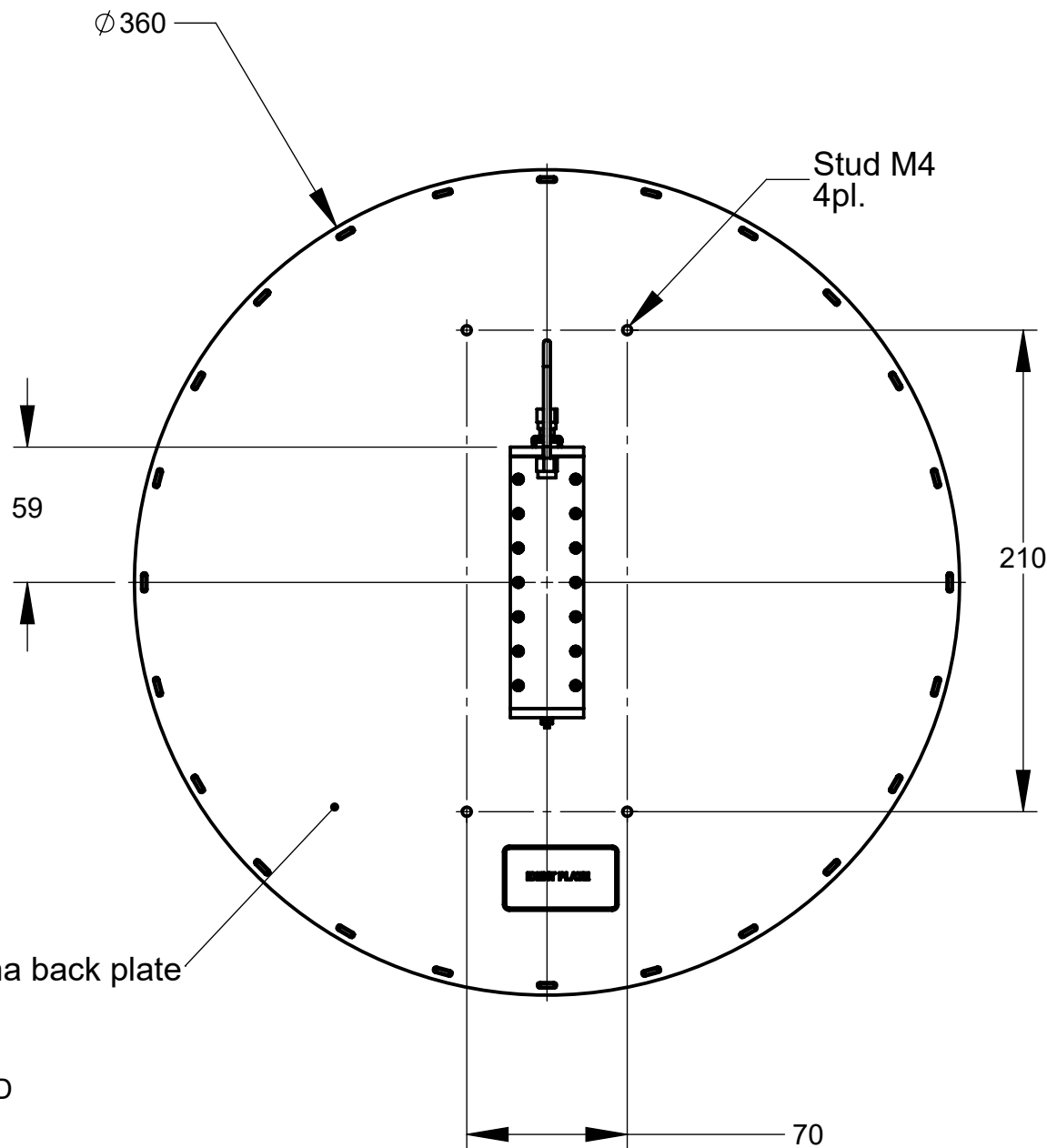
Radiating element



RF conn
SMA -F

12.60
4PL.

2 MM WELDING
POINTS ALL AROUND



Ø 360

Stud M4
4pl.

59

210

antenna back plate

70

UNLESS OTHERWISE SPECIFIED

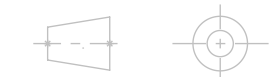
DIMENSIONS ARE IN mm
PER ANSI Y14.5M-1982

TOLERANCE

LINEAR ANGULAR

± 0.2

± / °



SURFACE TEXTURE IN MICRO IN.

CONTRACT TO

DWG			
CHKD			
DSGN	Ilan V.	I. V.	18/06/19
PROJ			
MFG			
QA			



TITLE

WIRELESS EDGE LTD.

MT012D05LH ICD

SIZE
A3

DWG NO
RD44497500M

SCALE- 1:3

SHEET 1 OF 1

ANTENNA ICD

ANTENNA P/N